

Landscape Lighting



**ACCENT
UNDERWATER
INGROUND
BOLLARD / BORDER
WALL MOUNT
POST TOP**

PHILOSOPHY

1

UPHOLD FAIRNESS

2

DEDICATE TO QUALITY



3

HONEST AND PUNCTUAL

4

WORK TOGETHER AS A TEAM

VISION

To be the leading total lighting solution provider in ASEAN.

MISSION

01

DIVERSE PRODUCTS

Offer diverse and complete range of lighting products to meet every sector's requirement.

02

WELL-COVERED NETWORK

Establish well-covered marketing networks accessible to various group of customers.

03

FULLY INTEGRATED SERVICES

Provide fully integrated services for customers' advantage.

04

HIGH STANDARD MANUFACTURING

Establish high standard facilities with modern and efficient manufacturing process to respond to the market requirement.

05

MODERN INNOVATION

Establish Lighting Innovation Center to proactively innovate and develop new products to meet market requirement and establish a world class testing laboratory to facilitate new products development and innovation.

TIMELINE



more than light



1993

Started with 25 million Baht registered capital and acquired the business from Yong Enterprise Ltd. Part., a company marketing fluorescent luminaire to electrical contractors. Expanded the business to cover government agencies and has become agents for many world-class Lighting manufacturers.

1999

Strengthen the company competitiveness by acquiring T.S. Trunking Co. Ltd. (name has now been changed to L&E Manufacturing Co. Ltd.) which manufactures whole range of fluorescent lighting luminaries and trunking products. Started to expand to export market to benefit from the weak Baht at that time.



1994-1998

Expanded business by offering diverse range of lighting products. Provided lighting design and recommended proper use of lighting products to provide better value to customers. Expanded marketing network to cover project and wholesale activities.



2000-2003

Expanded business to cover modern trade market and included extensive range of decorative lighting products for residential. Established the Lighting Application Center for demonstration to customers how lighting products can be effectively applied for various applications. Developed and improved MIS and logistics system so that the company can provide faster and better services to customers.



2004

Increased registered capital to 137.50 million Baht, became a public company and listed in the Stock Exchange of Thailand

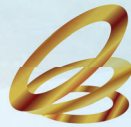


2005

Expanded manufacturing facilities to enable the company to manufacture whole range of indoor and outdoor lighting luminaries. Established representative office in Vietnam.

MAJOR MILESTONE

Lighting & Equipment Public Company Limited operates a fully integrated business in lighting products, from research and product development, has its own IEC/ISO 17025 accredited laboratory and ISO 9001 accredited manufacturing factories as well as distributes the products to all customer groups in domestic and abroad. In addition, the company provides various services for maximum benefit to customers, i.e. recommend proper products including provide lighting designs for each application, as well as offer rental products and rental lighting systems for various events. The company has diverse and complete range of lighting products that can meet the requirement of all customer groups. i.e. residential, office, commercial building, department store, showroom, retail store, museum ,manufacturing factory, warehouse, historical structure, public park, stadium, street, airport, advertising box, etc.



THAILAND
BOARD OF
INVESTMENT

2006

Granted 5 years corporate income tax holiday by Board of Investment for the factory expansion and manufacturing modernization of the company to improve productivity and reduce production cost.



2008

Granted Top Corporate Governance Awards, mai from Stock Exchange of Thailand.



2010

Granted IEC/ISO 17025 accreditation for lighting luminaries laboratory and ISO 9001:2008 accreditation for lighting luminaries manufacturing. Granted Top Corporate Governance Awards : mai from Stock Exchange of Thailand

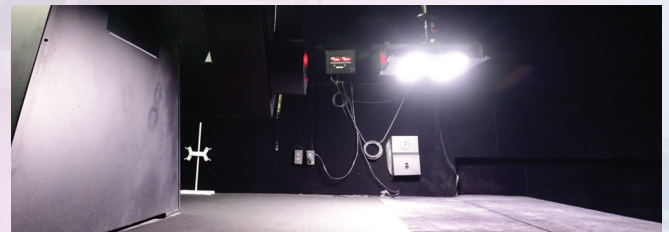
2011

Established L&E Solid State Co. Ltd. to manufacture LED products which is the first Thai factory manufacturing LED lamps for lighting.



2007

Increased registered capital to 305.70 million Baht and established lighting luminaire laboratory for research and develop of lighting products as well as product quality test to ensure that products delivered to customers have good quality and meet standard.



2009

Established Lighting Solution Center, the showroom that completed with diverse range of lighting products for various life-styles, experienced lighting designers to provide recommendation and lighting design to customers including lighting showcases for customers to experience light effect, to expand marketing channel to retail customers.



2012-2013

Constantly develop LED products and launch them into the market and expand business into AEC market.
Create slogan " L&E more than...light " for communication to the market.



more than light

2015

Opened new manufacturing factories and warehouses at Ladloomkaew district, Pathumthani province, total space 80,000 SQM. comprised of : Warehouse and distribution center, total space 16,000 SQM. Assembly factory total space 5,800 SQM. LED lamps, LED components and certain LED luminaires manufacturing. factories under the subsidiary : L&E Solid State Co.,Ltd., total space 8,500 SQM. lighting luminaires and lighting poles manufacturing. factories under the subsidiary : L&E Manufacturing Co.,Ltd., total space 7,600 SQM. Established L&E Myanmar Co.,Ltd. a subsidiary in Yangon, The Republic of the Union of Myanmar.



2014

Penetrated into the consumer market by advertising it's LED lamps for the first time in the television media and other media. Increased registered capital to 494.2 million Baht. Reduced the company's PAR value from 5 Baht to 1 Baht. shift the transaction of the company's share from mai market to SET market. Opened an additional showroom, Lighting Solution Center on Ratchaprek road.



2016 - 2017

- Established a wholly-own subsidiary, the Lighting & Equipment (Vietnam) Co., Ltd. In Dong Nai, Vietnam with the intention to import lighting product from Head Office for resale in Vietnamese market, and to manufacture lighting products for sale in Vietnamese market as well as for sale to Head Office in Thailand.
- All the 3 manufacturing factories under the company L&E Manufacturing Co., Ltd. (LEM) at Ladloomkaew Pathumthani and L&E Solid State Co., Ltd. (LES) has been assessed and conformed to the environmental system ISO 14001:2015 (TIS 14001-2559)



2018

The Grand Opening ceremony of Lighting & Equipment (Vietnam) Co.,Ltd., 12 December 2018 at Amata Industrial Estate, Dong Nai City, Vietnam.

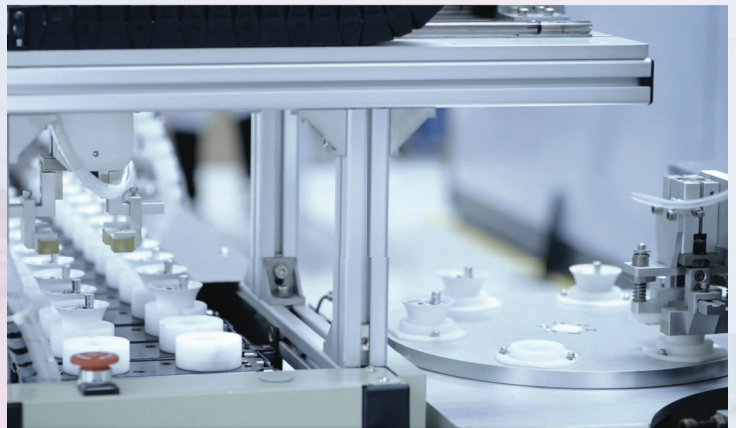
2019

L&E was certified as Thai Innovation and Invention account by Budget Bureau about 2 products Horticultural LED Lighting and LED T8 - L&E Manufacturing Co.,Ltd. (LEM.) has been assessed and found to be conforming to the requirements of TIS 45001-2561 (ISO 45001-2018)



2020

- Aiming to the market for various innovative lighting products such as IOT products, lighting used in Agriculture and Medical industry, etc.
- Add a business model (Business Model) "Efficient Value Chain Management" to support mass production In order export to large customers abroad.



2021

New Business to the Lighting and Entertainment Technology Provider



TYPE OF LED LUMINAIRE

Product range of L&E LED luminaires are divided into 2 categories.
Each category use different LED light sources.

1. Empty luminaires

It is suitable to use with retrofit lamps as of easy maintenance and installation, but not suitable for some application because its shape or technical term.

The most popular LED light sources for Empty luminaires are as follows:

- **LED-BULB** is suitable for indoor luminaires and some kind of landscape luminaires
- **LED-MR16** is suitable for small indoor luminaires or some kind of landscape luminaires (need compatibility transformer connect to luminaire and LED-MR16)
- **LED-T8**, it become more and more popular to replace T5/T8 fluorescent lamps because low power consumption and low cost as well, but same lumen output as fluorescent lamps. This lamp easy to replace with existing conventional recessed or surface office or industrial luminaires, just replace it (no need to use existing ballast). Anyway, this kind of lamp has different wiring connection. Improper wiring connection may cause problem.

Warning

Please be noted that for the above mentioned lamps, most of them is recommended to use with indoor luminaires except some items identified that can be used for outdoor applications, but do not recommend to use with totally enclosed luminaires (except some luminaire has enough space for adequate heat dissipation)



2. Completed set luminaires

Driver : Separated or integrated depend on each luminaire.

The LED light source for completed set luminaires are divided by 2 categories.

- **LED-Module**, it has various shape such as square, circular, rectangular, etc. Moreover, size and shape can be made according to luminaire's supplier. Therefore, luminaire's supplier will design their own designed luminaire in various shape to suit all kind of lighting applications.
- **LED-COB**, it is small size light source, but very powerful so that can be used with small luminaire, but provide high lumen output.









Both of LED-Module and LED-COB can be combined with reflector or lens in order to get different light distribution such as narrow light distribution, asymmetrical light distribution, street lighting distribution, etc.

CRITERIA OF LUMINAIRES










IP code

IEC 60529 : Degrees of protection provided by enclosures

The first number : Degree of protected against Solid foreign objects

-  0 No protection
-  1 Protected against solid foreign objects of 50 mm Ø and greater.
-  2 Protected against solid foreign objects of 12.5 mm Ø and greater.
-  3 Protected against solid foreign objects of 2.5 mm Ø and greater.
-  4 Protected against solid foreign objects of 1.0 mm Ø and greater.
-  5 Dust-protected
-  6 Dust-tight

The second number : Degree of protected against water




-  0 No protection
-  1 Protected against vertically falling water drops.
-  2 Protected against vertically falling water drops when enclosure tilted up to 15°.
-  3 Protected against spraying water at angle up to 60°.
-  4 Protected against splashing water from any direction.
-  5 Protected against water jets from any direction.
-  6 Protected against powerful water jets from any direction.
-  7 Protected against the effects of temporary immersion in water.
-  8 Protected against the effects of continuous immersion in water.

Example:



Protection against electric shock

IEC 60598-1 : Classification according to type of protection against electric shock.

-  Class I
Luminaires provided with basic insulation and ground wire connection.
-  Class II
Luminaires provided with double or reinforced insulation, no provision for ground wire connection.
-  Class III
Luminaires suitable for safety extra-low voltage (SELV) power supply (not exceed 50 VAC or 120 VDC).

* Protection against electric shock is also known as luminaires class/ protection class/insulation class.

Correlated Color Temperature (CCT)

ANSI C78.377-2017 : Chromaticity specifications for solid state lighting products (LED products).

Nominal CCT Category (K)	CCT Range (K)
2200	2238 ± 102
2500	2460 ± 120
2700	2725 ± 145
3000	3045 ± 175
3500	3465 ± 245
4000	3985 ± 275
4500	4503 ± 243
5000	5029 ± 283
5700	5667 ± 355
6500	6532 ± 510

* CCT Range is "Target CCT and Tolerance (K)".

IK code

IEC 62262 : Degrees of protection provided by enclosures for electrical equipment against external mechanical impacts.

- IK00 There is no protection.
- IK01 Protected against 0.14 joules of impact (equivalent to the impact of a 0.25kg mass dropped from 56mm above the impacted surface)
- IK02 Protected against 0.2 joules of impact (equivalent to the impact of a 0.25kg mass dropped from 80mm above the impacted surface)
- IK03 Protected against 0.35 joules of impact (equivalent to the impact of a 0.25kg mass dropped from 140mm above the impacted surface)
- IK04 Protected against 0.5 joules of impact (equivalent to the impact of a 0.25kg mass dropped from 200mm above the impacted surface)
- IK05 Protected against 0.7 joules of impact (equivalent to the impact of a 0.25kg mass dropped from 280mm above the impacted surface)
- IK06 Protected against 1 joules of impact (equivalent to the impact of a 0.25kg mass dropped from 400mm above the impacted surface)
- IK07 Protected against 2 joules of impact (equivalent to the impact of a 0.5kg mass dropped from 400mm above the impacted surface)
- IK08 Protected against 5 joules of impact (equivalent to the impact of a 1.7kg mass dropped from 300mm above the impacted surface)
- IK09 Protected against 10 joules of impact (equivalent to the impact of a 5kg mass dropped from 200mm above the impacted surface)
- IK10 Protected against 20 joules of impact (equivalent to the impact of a 5kg mass dropped from 400mm above the impacted surface)

LED Lifetime

The lifetime of a LED (LED chip, LED module, LED COB) is defined as the time it takes until its light output, or lumen maintenance reach 70% of the initial output (L70).

Lamp Lifetime

Lamp (Retrofit lamp) lifetime is not the same meaning of LED lifetime, because of there are many other components that are used included driver, optic, mechanical fixing and housing.

Then, the lifetime of lamp (Retrofit lamp) is determined by considering "Time to 70% lumen maintenance of lamp (Retrofit lamp)" and "Lifetime of components".

Luminaire Lifetime

Luminaire lifetime is not the same meaning of LED lifetime, because of there are many other components that are used included driver, optic, mechanical fixing and housing.

Then, the lifetime of luminaire is determined by considering "Time to 70% lumen maintenance of luminaire" and "Lifetime of components".

LED Output

It is the luminous flux come out from LED (LED module, LED COB) in every direction and gather in total in term of lumen. Normally, this value is specified by LED Manufacturer.

Lamp Output

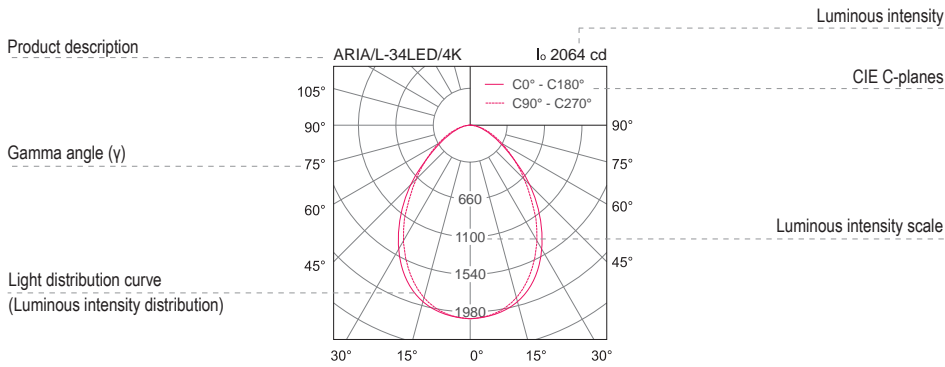
It is the luminous flux come out from lamp (Retrofit lamp) in every direction and gather in total in term of lumen.

Luminaire Output

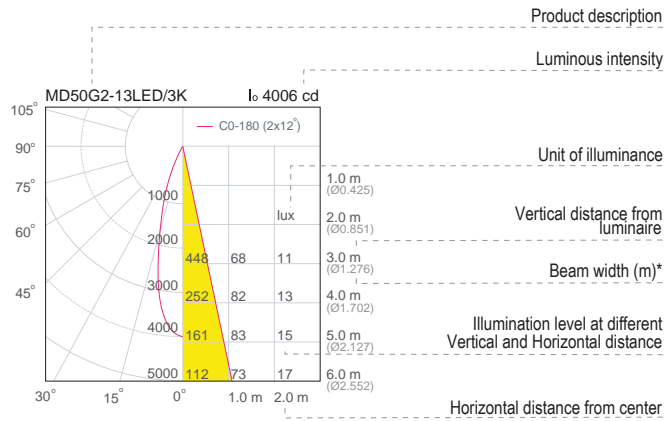
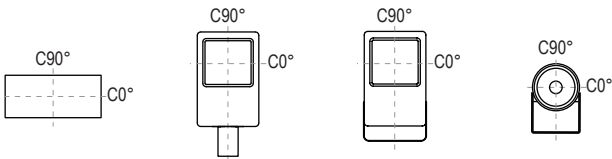
It is the luminous flux come out from luminaire in every direction and gather in total in term of lumen.

Normally, it is not equal to Lamp Output caused of there are many factor when fit lamp (Retrofit lamp) in luminaire, such as reflector, lens, housing, etc. These parts will effect or distort lumen output from lamp (Retrofit lamp).

Photometric data



Remark : Relative position of luminaire to the co-ordinate system.



Remark : Beam width (m) is diameter of beam angle at different vertical distance.

Particular symbol

Ceiling or wall, cutout for round recessed luminaire

Ceiling or wall, cutout for square recessed luminaire

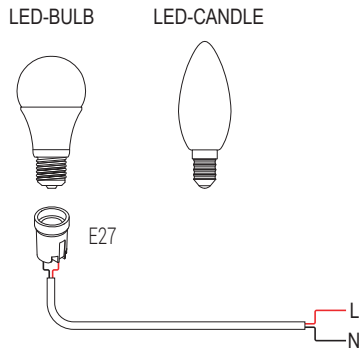
Vertical adjustment from 0° to 30°

Horizontal adjustment from 0° to 358°

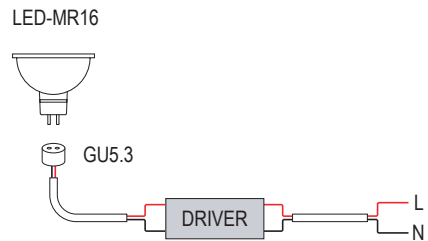
Two axis adjustment from 0° to 30°

WIRING Diagram

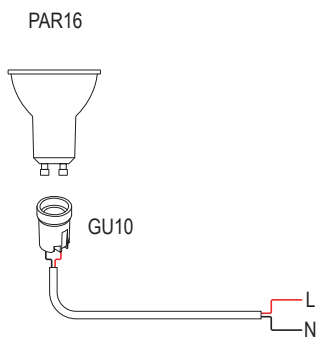
LED-BULB



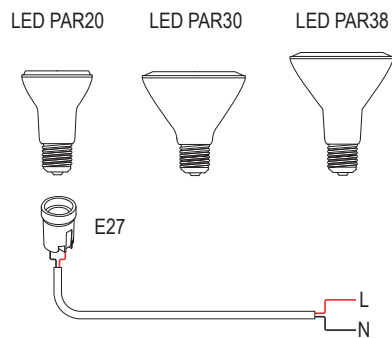
LED-MR16



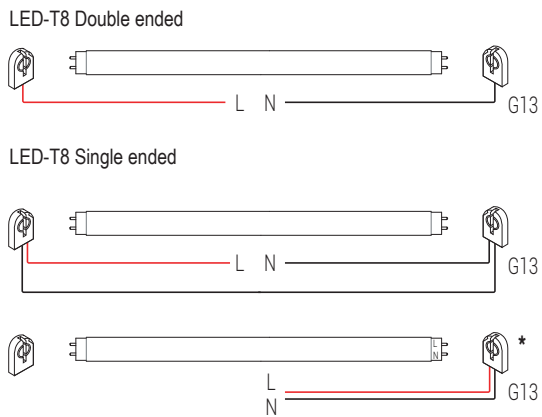
LED PAR16



LED PAR20/30/38



LED-T8

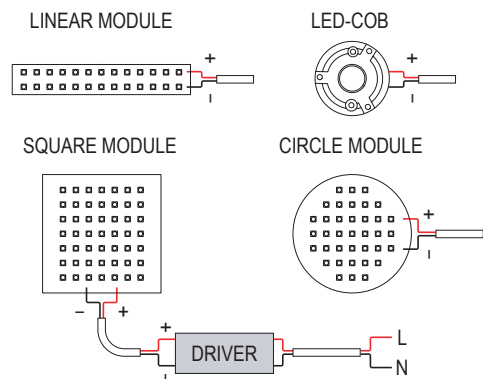


* Please make sure to put the lamp on the right side (L, N)

Remark

In Thailand the power system is 220V, 50Hz for other countries may difference.

LED-MODULE/LED-COB



GUIDE TO CATALOGUE

1. Product category

2. Product model

3. Brand name

LED Accent

TIS **GSL201**

L&E

4. Product information

Application

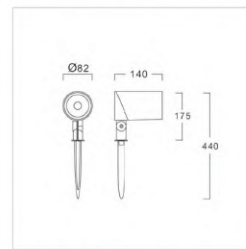
Accent Luminaire is designed for a wide variety of architectural and landscape applications to accent or highlight specific architectural and landscape features, etc.

Specification

Housing	Die-cast aluminium
Finishing	Powder coated in black
Lens	Clear toughened glass
Gasket	Silicone rubber
Dimension	82x140x175 mm.
Mounting	Ground spike
Power	5W
Light Source	LED-COB
Colour Temperature	3000/4000K
Luminaire Output	360 lm
Beam Angle	12/24/36 degree
Control Gear	Built-in driver
Power Supply	220VAC 50Hz
Insulation Class	I
IP Rating	66
Luminaire Lifetime	30,000 hrs.
Equivalent	MR16 50W

Ordering Data

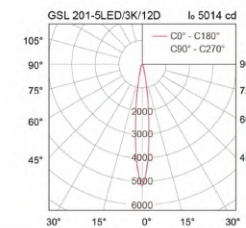
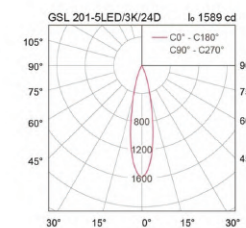
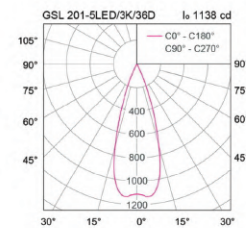
Model	Watt
GSL201-5LED	5W



5. Dimension in mm.

6. Typical Product description

7. Total input power, but for other products use Retrofit Lamp show range of power.



8. Photometric data (IES file is available)

Related Products



Lighting and Equipment Public Company Limited

380

www.lighting.co.th

9. Related products :
Accessories for this product.

GUIDE TO ORDER

Page no.	Typical product description				Additional product description		
	Model	Model's detail	Power	Lamp type	Color Temperature	Light Distribution	Other
13	RUL201	-	-XX	LED	/XXK	/XXD	-XXX
32	BLL102	/BK	-XX	LED	/XXK	-	Specified by
111	PTL200	/BK	-XX	LED-T8	/XXK	-	Company

The above samples identify " Typical product description " only

Full of product description comprised of "Typical product description "+ Additional product description

Underwater/Inground

If customer would like to order luminaire model **RUL201 with 15W, 2700K and beam angle 40 degree**

The full name is " **RUL201-15LED/2.7K/40D-XXXX** "



RUL201



SUL201



SUL275



INL604

Bollard/Wall Mount

The luminaires have various of power and light colour (CCT) in case customer would like to order

model **BLL102 with 17W, 3000K**

The full name is " **BLL102/BK-17LED/3K-XXXX** "



BLL102



BLL230



WLL352



WLL153

Post Top

The luminaires have various of power and light distribution in case customer would like to order

model **PTL200 with 48W, 3000K**

The full name is " **PTL200/BK-48LED-T8/3K** "



PTL200



PTL904



PTL207



PTL720/SH

CONTENT

Light Sources

LED Module/Lamps

LED Module	1
LED Lamps	2-11

Landscape Lighting

Accent

Accent Luminaires	1-12
-------------------	------

Underwater/Inground

Underwater Luminaires	13-17
Inground Luminaires	18-26

Border/Bollard/Wall Mount/Post Top

Border Luminaires	27-31
Bollard Luminaires	32-44
Solar Border/Bollard Luminaires	45-46
Wall Mount Luminaires	47-91
Post Top Luminaires	92-107



LED Light Sources (LED Module/Lamps)

LED Module



LED-LINEAR MODULE



LED-COB

LED Lamps



LED-CANDLE



LED-BULB/LPF



LED-MR16



LED-PAR16



LED-PAR20



LED-PAR30



LED-T8/INVESTMENT/CT



LED-T8/STD/CT



LED-T8/PREMIUM/CT



Light Sources

LED Module/Lamps

LED-LINEAR MODULE

Application

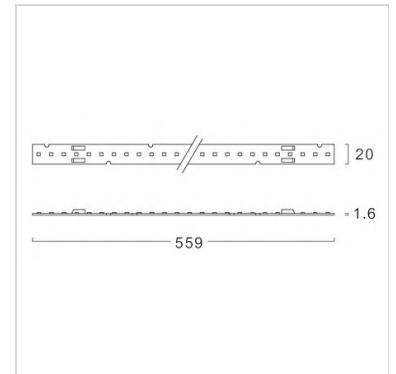
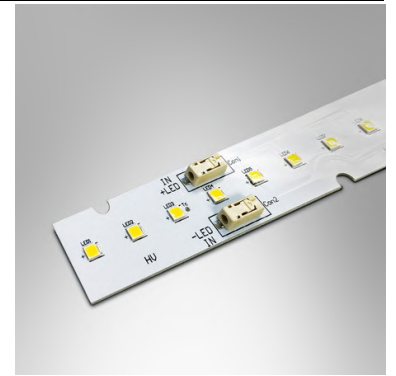
The LED Linear Module is designed to replace T8 fluorescent lamp which meet lux level requirement, but less power consumption and more longer lifetime.

Specification

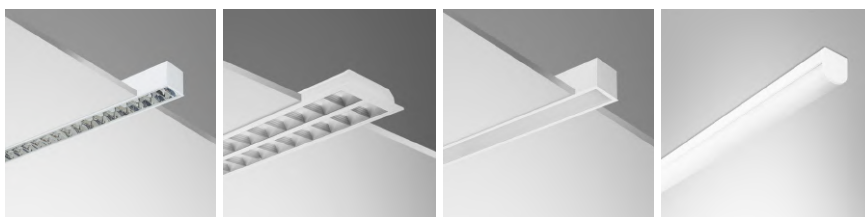
Structure	PCB LED TYPE
Power	16.5W
Light Source	LED-SMD
Colour Temperature	3000/4000K/6500K
LED Output	2200lm
Control Gear	Separated driver is required
LED Lifetime	50,000 hrs.
Remarks	Compatible with L&E driver or other brands ,240mA : (16.5W)

Ordering Data

Model	Watt
L&E# LSM 66LED/V1/830/2ft/2200lm/56-67V/240mA	16.5W
L&E# LSM 66LED/V1/840/2ft/2200lm/56-67V/240mA	16.5W
L&E# LSM 66LED/V1/865/2ft/2200lm/56-67V/240mA	16.5W



Related Products



Recessed Luminare

Recessed Luminare

Recessed Luminare

Recessed Luminare

LED Module



TIS LED-COB

Application

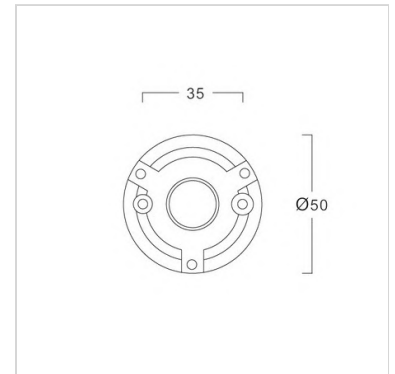
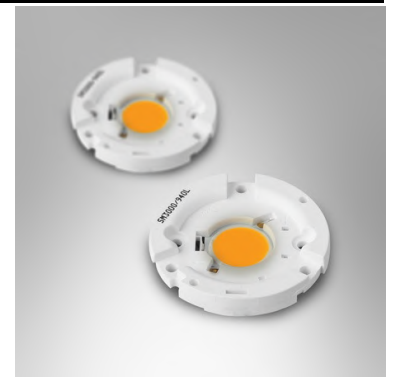
This is a very powerful LED light source which is replaced compact metal halide lamp

Specification

Housing	Robust plastic material
Description	Operating case temp. -40-80 degree CRI > 90
Mounting	Fix thermal pad or grease on back side and fix to heatsink
Power	2000LM(21W) 3000LM(32W) 3000LM(32W)
Light Source	LED-COB
Colour Temperature	940/930
LED Output	105-141 Lumen/Watt
Control Gear	Separate driver
LED Lifetime	50,000 hrs.
Equivalent	Compact metal halide : 35/70W
Remarks	Compatible with L&E driver or other brands ,500/800mA : (21/ 32W) *

Ordering Data

Model	Watt
L&E#LED- MODULE-2000LM/930	21W
L&E#LED-MODULE-3000LM/930	32W
L&E#LED-MODULE-3000LM/940	32W



Related Products



Track Light



Surface downlight



Recessed downlight



Recessed downlight

LED Lamp

LED-CANDLE

Application

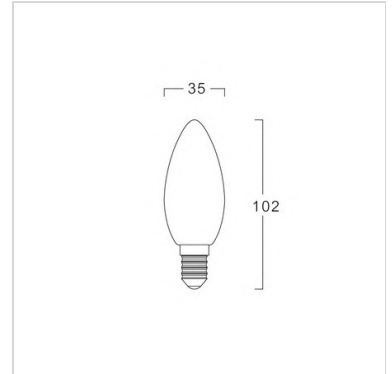
This lamp is designed to replace CANDLE halogen lamp for energy saving, long life time and low maintenance cost.

Specification

Description	Dimmable Do not use in enclosed fixture CRI > 80
Body Colour	White
Power	6W
Lamp Holder	E14
Colour Temperature	2700K
Lamp Output	470 lm
Control Gear	Built-in driver
Power Supply	220VAC, 50Hz
Lamp Lifetime	25,000 hrs.
Equivalent	Candle lamp

Ordering Data

Model	Watt
L&E#LED-CANDLE-470LM/827/6W/E14/Clear/Dim	6W



Related Products



Decorative



Decorative

LED Lamp

TIS LED-BULB/LPF

Application

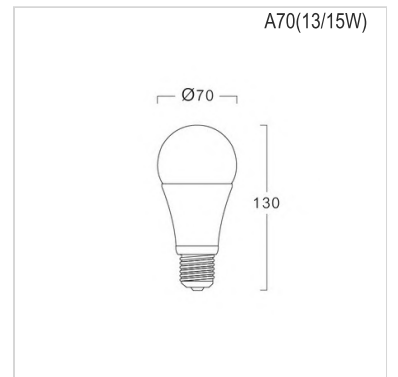
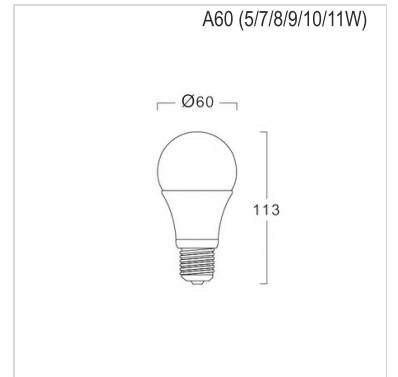
This LED lamp is designed to replace conventional lamp which is safe cost and save energy depending on each lamp types. There is no UV, long lifetime, etc.

Specification

Housing	Aluminium inside cover with plastic
Description	Do not use with enclosed fixtures Operating temperature -20 / +40 degree
Body Colour	White
Power	5-15W , Pf 0.5 ,CRI >80
Light Source	LED-SMD
Lamp Holder	E27
Colour Temperature	3000K/4000K/6500K
Lamp Output	5W:470 lm,510lm 7W:630lm,690lm 9W:810lm,850lm 10W:980lm 11W:1050lm 13W:1350lm 15W:1450lm
Control Gear	Built-in driver
Power Supply	220VAC,50Hz
Lamp Lifetime	25,000 hrs.

Ordering Data

Model	Watt
L&E#LED-Bulb-470LM/830/5W/E27	5W
L&E#LED-Bulb-510LM/865/5W/E27	5W
L&E#LED-Bulb-630LM/830/7W/E27(G3)	7W
L&E#LED-Bulb-690LM/865/7W/E27(G3)	7W
L&E#LED-Bulb-810LM/830/9W/E27(G3)	9W
L&E#LED-Bulb-850LM/840/9W/E27(G3)	9W
L&E#LED-Bulb-850LM/865/9W/E27(G3)	9W
L&E#LED-Bulb-980LM/865/10W/E27 (G3)	10W
L&E#LED-Bulb-1050LM/830/11W/E27(G3)	11W
L&E#LED-Bulb-1050LM/840/11W/E27(G3)	11W
L&E#LED-Bulb-1050LM/865/11W/E27(G3)	11W
L&E#LED-Bulb-1350LM/830/13W/E27	13W
L&E#LED-Bulb-1350LM/865/13W/E27	13W
L&E#LED-Bulb-1450LM/830/15W/E27	15W
L&E#LED-Bulb-1450LM/865/15W/E27	15W



Related Products



LED Lamp



TIS LED-MR16

Application

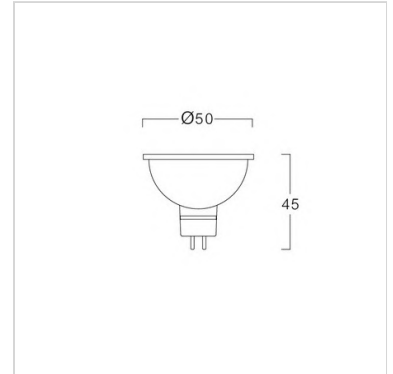
This lamp is designed to replace MR16 halogen lamp for energy saving, long life time and low maintenance cost

Specification

Housing	Plastic with inside aluminium
Description	Non-dimmable Do not use in enclosed fixture
Body Colour	White
Power	6W
Light Source	LED-SMD
Colour Temperature	2700/3000/4000/6500K - CRI 80
Lamp Output	550 lm
Beam Angle	36/60degree
Control Gear	Separated transformer
Power Supply	12V AC/DC
Lamp Lifetime	15,000 hrs.
Equivalent	MR16 35/50W

Ordering Data

Model	Watt
L&E#LED-MR16-550LM/827/6W/GU5.3/36D	6W
L&E#LED-MR16-550LM/830/6W/GU5.3/36D	6W
L&E#LED-MR16-550LM/830/6W/GU5.3/60D	6W
L&E#LED-MR16-550LM/840/6W/GU5.3/36D	6W
L&E#LED-MR16-550LM/840/6W/GU5.3/60D	6W
L&E#LED-MR16-550LM/865/6W/GU5.3/36D	6W



Related Products



Track Light



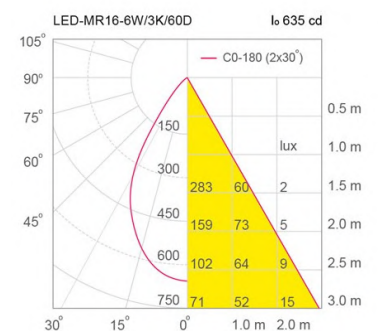
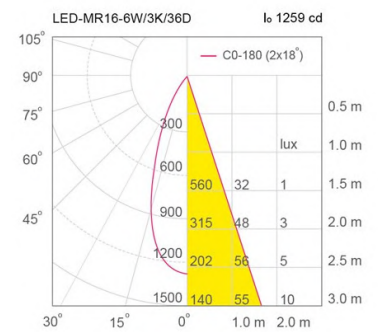
Surface Downlight



Recessed Downlight



Recessed Downlight



LED Lamp



TIS LED-PAR16

Application

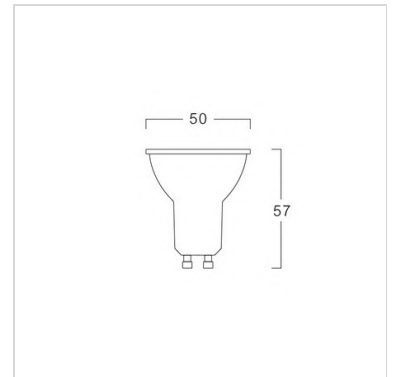
This lamp is designed to replace PAR16 halogen lamp for energy saving, long life time and low maintenance cost.

Specification

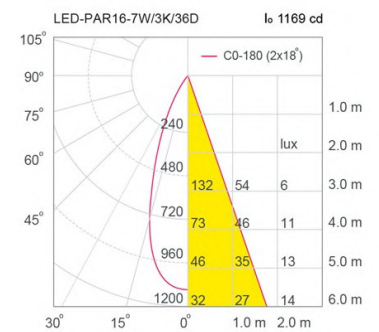
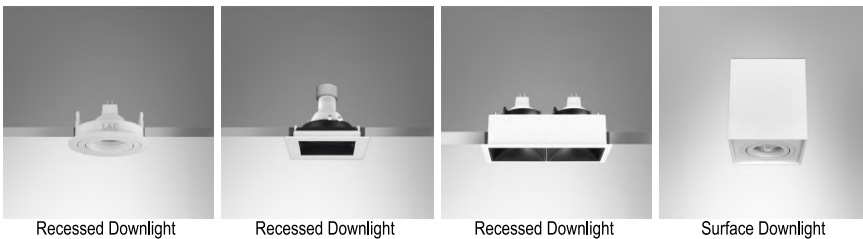
Housing	Plastic with inside aluminium
Description	Dimmable Do not use in enclosed fixture
Body Colour	White
Power	7W
Light Source	LED-SMD
Colour Temperature	3000K/4000K
Lamp Output	620 lm
Beam Angle	36 degree
Power Supply	220VAC,50Hz
Lamp Lifetime	15,000 hrs.
Equivalent	PAR16 35/50W

Ordering Data

Model	Watt
L&E#LED-PAR16-620LM/830/7W/GU10/36D/Dim	7W
L&E#LED-PAR16-620LM/840/7W/GU10/36D/Dim	7W



Related Products



LED Lamp

LED-PAR20

Application

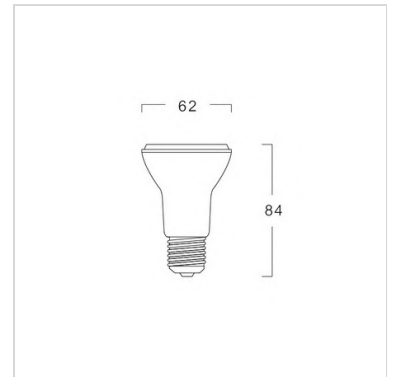
This lamp is designed to replace PAR20 halogen lamp for energy saving, long life time and low maintenance cost.

Specification

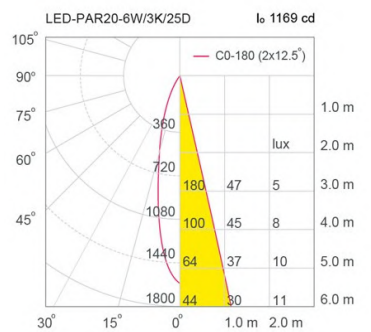
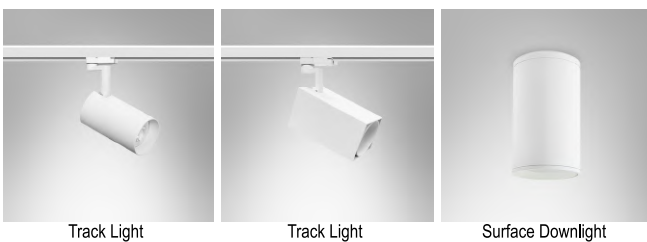
Housing	Plastic with inside aluminium
Description	Non-Dimmable Do not use in enclosed fixture
Body Colour	White
Power	6W
Light Source	LED-SMD
Colour Temperature	3000K
Lamp Output	540lm
Beam Angle	25 degree
Power Supply	220VAC,50Hz
Lamp Lifetime	20000 hrs.
Equivalent	PAR20 50-75W

Ordering Data

Model	Watt
L&E#PAR20-540LM/830/6W/E27/25D	6W



Related Products



LED Lamp



TIS LED-PAR30

Application

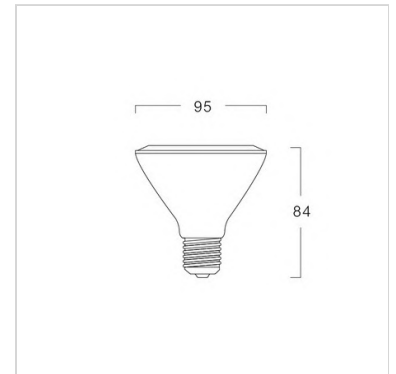
This lamp is designed to replace PAR30 halogen lamp for energy saving, long life time and low maintenance cost.

Specification

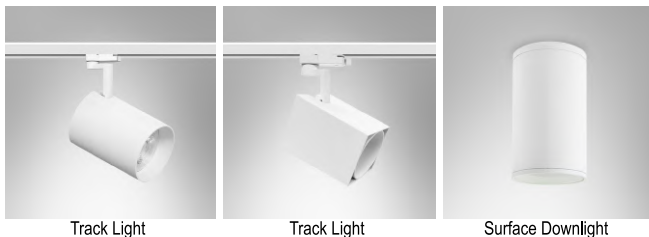
Housing	Plastic with inside aluminium
Description	Non-Dimmable Do not use in enclosed fixture
Body Colour	White
Power	10W
Light Source	LED-SMD
Colour Temperature	3000K
Lamp Output	950lm
Beam Angle	25 degree
Power Supply	220VAC,50Hz
Lamp Lifetime	20,000 hrs.
Equivalent	PAR30 75-100W

Ordering Data

Model	Watt
L&E#PAR30-950LM/830/10W/E27/25D	10W



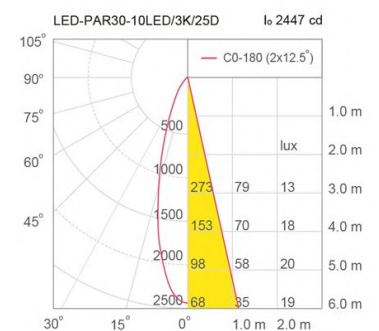
Related Products



Track Light

Track Light

Surface Downlight



LED Lamp

TIS LED-T8/INVESTMENT/CT

Application

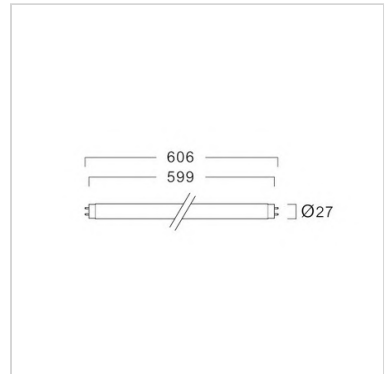
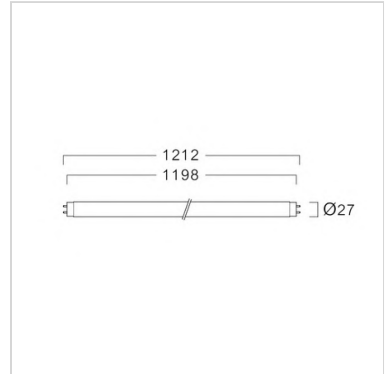
This LED lamp is designed to replace conventional lamp which is safe cost and save energy depending on each lamp types. There is no UV, long lifetime, etc.

Specification

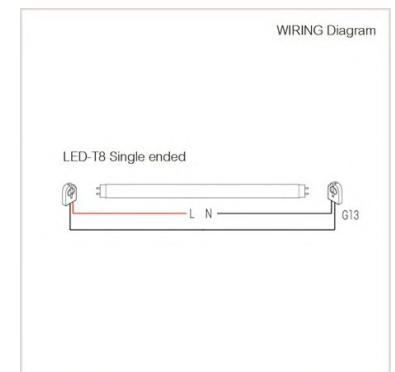
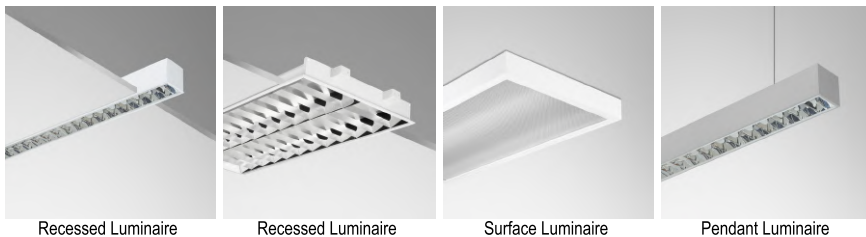
Housing	Frosted Glass Tube
Description	Energy saving up to 70%
	No UV
	Non-dimmable
	840 : 4000K
	865 : 6500K
	TIS 1955-2551 and TIS 2779-2562
Power	7W, Pf >0.9, CRI >80 and THDi <20%
	14W, Pf >0.9, CRI >80 and THDi <20%
Light Source	LED-SMD
Lamp Holder	G13
Colour Temperature	4000/6500K
Lamp Output	1100lm/2100 lm
Beam Angle	> 200 degree
Control Gear	Built-in driver
Power Supply	220-240VAC, 50Hz
Lamp Lifetime	25,000 hrs.
Equivalent	T8:18/36W

Ordering Data

Model	Watt
L&E#Investment LED-T8-1100LM/840/7W/CT	7W
L&E#Investment LED-T8-1100LM/865/7W/CT	7W
L&E#Investment LED-T8-2100LM/840/14W/CT	14W
L&E#Investment LED-T8-2100LM/865/14W/CT	14W



Related Products



LED Lamp



TIS LED-T8/STD/CT

Application

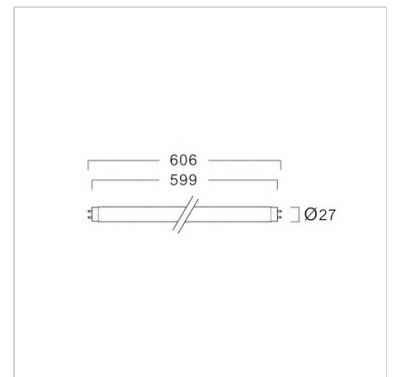
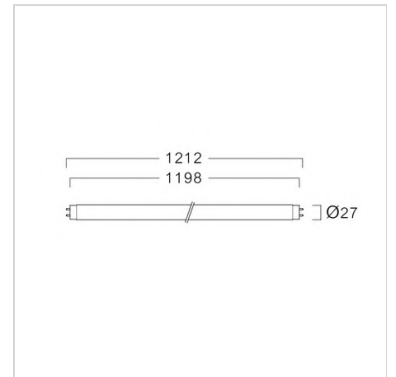
This LED lamp is designed to replace conventional lamp which is safe cost and save energy depending on each lamp types. There is no UV, long lifetime, etc.

Specification

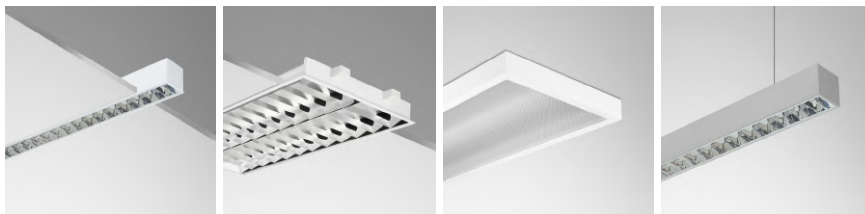
Housing	High quality plastic
Description	Energy saving up to 65%
	No UV
	Non-dimmable
	830 : 3000K
	840 : 4000K
	865 : 6500K
	TIS 1955-2551 and TIS 2779-2562
Safety	9W, Pf >0.9, CRI >80 and THDi <15% *
	16W, Pf >0.9, CRI >80 and THDi <15% *
Power	9/16W
Light Source	LED-SMD
Colour Temperature	3000/4000/6500K
Lamp Output	1050/2000/2100lm (See, Detail in ordering data)
Beam Angle	> 160 degree
Control Gear	Built-in driver
Power Supply	220-240VAC, 50Hz
Lamp Lifetime	40,000 hrs.
Equivalent	T8:18/36W

Ordering Data

Model	Watt
L&E#STD LED-T8-1050LM/830/9W/CT	9W
L&E#STD LED-T8-1050LM/840/9W/CT	9W
L&E#STD LED-T8-1050LM/865/9W/CT	9W
L&E#STD LED-T8-2000LM/830/16W/CT	16W
L&E#STD LED-T8-2100LM/840/16W/CT	16W
L&E#STD LED-T8-2100LM/865/16W/CT	16W



Related Products

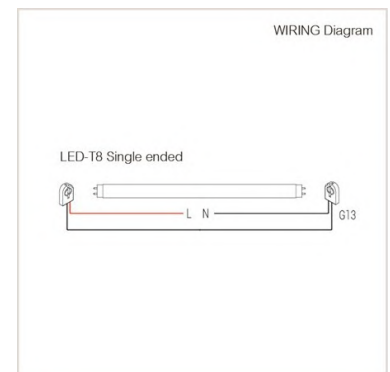


Recessed Luminaire

Recessed Luminaire *

Surface Luminaire

Pendant Luminaire



LED Lamp

TIS LED-T8/PREMIUM/CT

Application

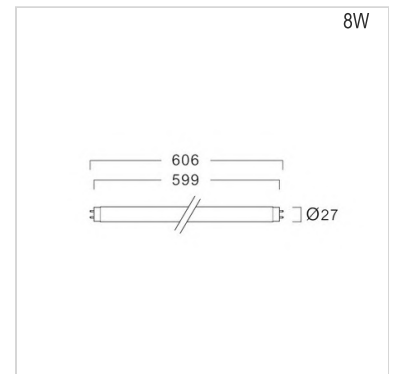
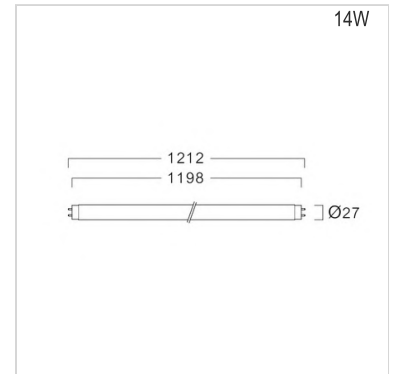
This LED lamp is designed to replace conventional lamp which is safe cost and save energy depending on each lamp types. There is no UV, long lifetime, etc.

Specification

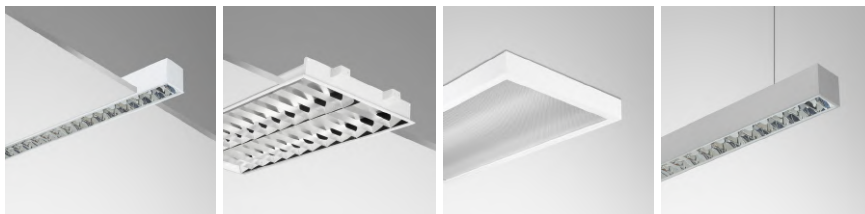
Housing	High quality plastic *
Description	Energy saving up to 70% No UV Non-dimmable 830 : 3000K 840 : 4000K 865 : 6500K TIS 1955-2551 and TIS 2779-2562
Power	8W, Pf >0.9, CRI >80 and THDi <10% 14W, Pf >0.9, CRI >80 and THDi <10%
Light Source	LED-SMD
Colour Temperature	3000/4000/6500K
Lamp Output	1050/2000/2100lm (See Detail in ordering data)
Beam Angle	> 160 degree
Control Gear	Built-in driver
Power Supply	220-240VAC, 50Hz
Lamp Lifetime	50,000 hrs.
Equivalent	T8:18/36W

Ordering Data

Model	Watt
L&E#Premium LED-T8-1050LM/840/8W/CT	8W
L&E#Premium LED-T8-1050LM/865/8W/CT	8W
L&E#Premium LED-T8-2000LM/830/14W/CT	14W
L&E#Premium LED-T8-2100LM/840/14W/CT	14W
L&E#Premium LED-T8-2100LM/865/14W/CT	14W



Related Products

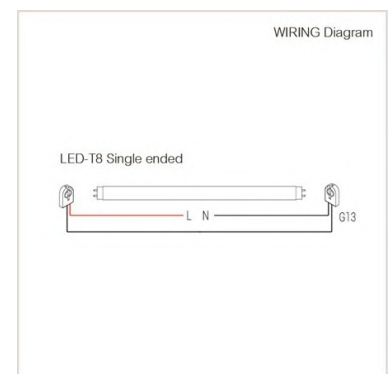


Recessed Luminaire

Recessed Luminaire

Surface Luminaire

Pendant Luminaire

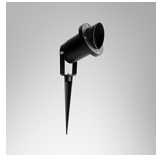




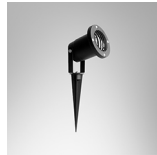
Landscape Lighting

Outdoor Lighting (Accent/Underwater)

Accent Luminaires



GDS041 (6W)



GDS051 (6W)



GDS052 (6W)



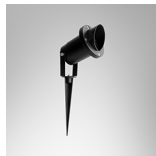
GDS100 (6W)



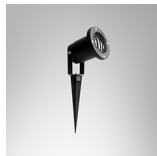
GDS101 (6W)



GDS106 (6W)



GDS041 (7W)



GDS051 (7W)



GDS052 (7W)



GDS103 (7W)



GDS104 (7W)



GDS211 (13W)



GSL201 (5W)



GSL211 (14W)



GSL221 (30W)



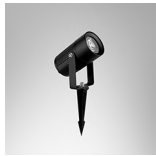
GSL130 (4W)



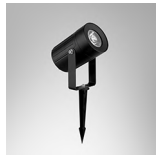
GSL131 (8W)



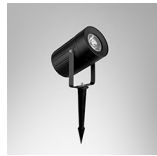
GSL132 (12W)



GSL601 (5W)



GSL611 (16W)



GSL621 (32W)

Underwater Luminaires



SUB010 (6W)



SUB015 (5W)



SUW015 (5W)



SUL200 (6W)



SUL201 (10W)



RUL201 (15W)



RUL202 (21W)



SUL275 (9W)



SUL280 (16W)

Outdoor Lighting (Inground)

Inground Luminaires



ING167 (6W)



ING167 (7W)



INL210 (5W)



INL211 (9W)



INL212 (17W)



INL100 (3W)



INL101 (3W)



INL200 (5W)



INL201 (7W)



INL501 (3W)



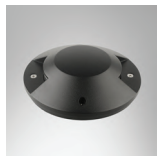
INL502 (3W)



INL503 (3W)



INL601 (5W)



INL602 (7W)



INL604 (7W)

Outdoor Lighting (Border/Bollard)

Border Luminaires



BDR200 (7W)



BDR210 (7W)



BDR220 (7W)



BDR230 (7W)



BDR608 (7W)



BDR610 (7W)



BDR152 (7W)



BDR142 (7W)

Bollard Luminaires



BOL152 (7W)



BOL142 (7W)



BLL225 (7W)



BLL232 (9/10W)



BLL208 (7W)



BLL408 (7W)



BLL101 (6W)



BLL100 (6W)



BLL102 (17W)



BLL111 (6W)



BLL110 (6W)



BLL113 (13W)



BLL222 (10W)



BLL224 (10W)



BLL230 (16W)



BLL202 (10W)



BLL240 (16W)



BLL903 (6/10/15/24W)



BLL401 (9W)



BLL402 (12W)



BLL404 (15W)



BLL415 (9W)



BLL400 (6W)



BLL209 (8W)



BLL103 (10W)



BLL802 (3W)



BLL803 (3W)



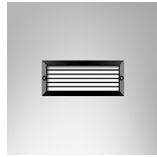
BLL809 (2W)

Outdoor Lighting (Wall Mount)

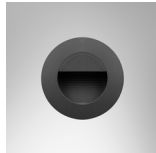
Wall Mount Luminaires



STL101 (7W)



STL102 (7W)



STLL405 (3W)



WLL331 (9W)



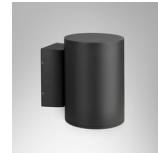
WLL332 (13W)



WLL341 (13W)



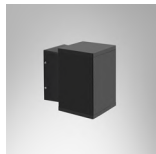
WLL342 (28W)



WLL351 (21W)



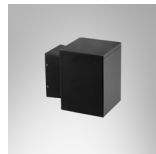
WLL352 (35W)



WLL431 (9W)



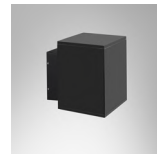
WLL432 (13W)



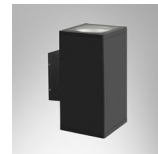
WLL441 (13W)



WLL442 (28W)



WLL461 (21W)



WLL462 (35W)



WLL467 (5/12W)



WLL443 (3W)



WLL444 (6W)



WLL160 (6W)



WLL161 (9W)



STLL402 (3W)



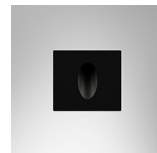
STLL408 (3W)



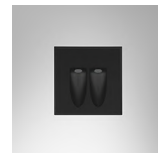
WLL170 (3W)



WLL173 (4W)



WLL171 (3W)



WLL172 (3W)



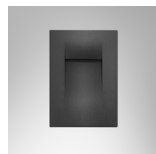
WLL150 (5W)



WLL151 (5W)



WLL153 (5W)



WLL152 (5W)



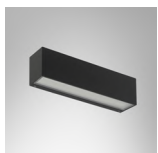
WLL154 (9W)



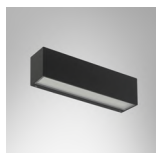
WLL155 (14W)



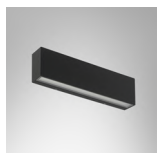
WLL159 (9W)



WLL463 (9W)



WLL464 (17W)



WLL465 (8W)



WLL471 (14W)



WLL472 (20W)



WLL121 (10W)



WLL122 (10W)



WLL123 (10W)



WLL124 (10W)



WLL125 (10W)



WLL127 (7W)



WLL128 (9W)



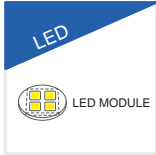
WLL129 (9W)



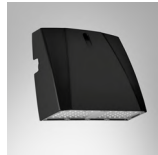
WLL103 (10W)

Outdoor Lighting (Wall Mount)

Wall Mount Luminaires



WLL320 (25W)



WLL321 (50W)



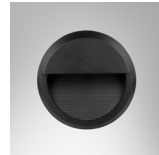
WLL330 (25/48W)



WLL435 (55/70/105W)



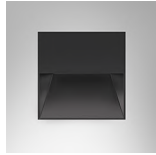
WLL436 (175W)



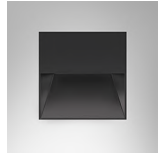
WLL710 (10W)



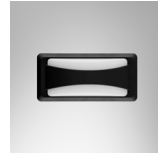
WLL711 (10W)



WLL712 (20W)



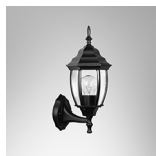
WLL713 (20W)



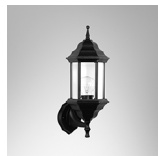
WLL621 (10W)



WLL622 (10W)



WMS200 (9W)



WMS210 (9W)



WMS220 (9W)



WMS230 (9W)



WMS022 (9W)



WMD022 (9W)



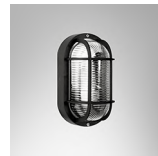
WMS042 (9W)



WMD042 (9W)



WMS710 (9W)



WMS049 (9W)



WMS051 (9W)



WMS900 (9W)



WLL126 (7W)



WMS021 (9W)



WMD021 (9W)



WMS041 (9W)



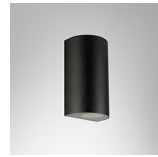
WMD041 (9W)



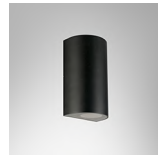
WMS020 (9W)



WMD020 (9W)



WMS038 (9W)



WMD038 (9W)



WMS039 (9W)



WMD039 (9W)



WMS021 (9W)



WMD021 (9W)



WMS041 (9W)



WMD041 (9W)



WMS023 (9W)



WMD023 (9W)

Outdoor Lighting (Post top)

Post Top Luminaires



PTL200 (48W)



PTL214 (64W)



PTP203/LED (48W)



PTP204/LED (64W)



PTL252 (28W)



PTL244 (40W)



PTL205 (35W)



PTL207 (35W)



PTL309 (40W)



PTL351/SH (21W)



PTL351/DH (2x21W)



PTL461 (21W)



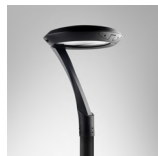
PTL605 (35W)



PTL607 (35W)



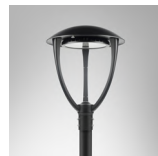
PTL903 (35/55W)



PTL904 (35/55W)



PTL120 (35W)



PTL209 (65W)



PTL720 (35/70/105W)



PTL720/RP(35/70/105W)



PTL710/SH (35/70W)



PTL710/DH (70/140W)



PTL231 (40W)



PTL232 (80W)



PTL233 (120W)



PTL650 (7/14W)



Landscape Lighting

Accent

LED Accent



TIS GDS041

Application

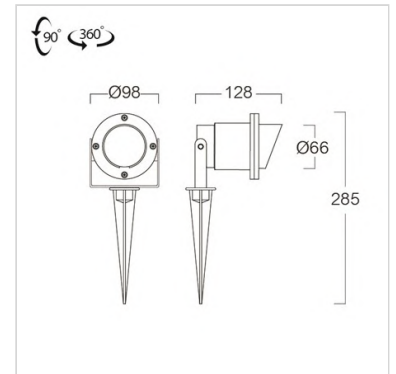
Accent Luminaire is designed for a wide variety of architectural and landscape applications to accent or highlight specific architectural and landscape features, etc.

Specification

Housing	Die-cast aluminium
Finishing	Powder coated in black
Lens	Clear toughened safety glass
Gasket	Silicone rubber
Dimension	98x128x285 mm.
Mounting	Ground spike
Power	LED-MR16 : 6W LED-PAR16 : 7W
Light Source	LED-MR16 / LED-PAR16
Lamp Holder	GX5.3 : MR16 / GU10 : PAR16
Colour Temperature	3000K
Lamp Output	LED-MR16 : 550 lm LED-PAR16 : 620 lm
Control Gear	Separate magnetic or electronic transformer
Power Supply	220VAC,50Hz (Magnetic transformer) 220-240VAC,50Hz (Electronic transformer is available as option)
Insulation Class	I
IP Rating	55
Lamp Lifetime	15,000 hrs.
Equivalent	LED-MR16 6W : MR16 50W LED-PAR16 7W : PAR16 50W

Ordering Data

Model	Watt
GDS041/S-GX5.3	6W
GDS041/S-GU10	7W



LED Accent



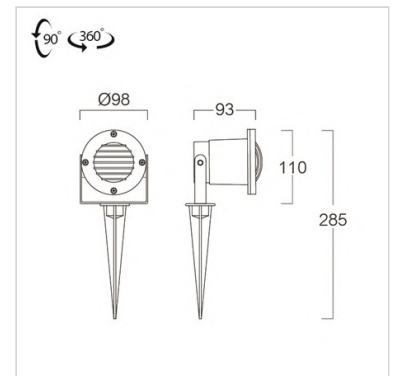
TIS GDS051

Application

Accent Luminaire is designed for a wide variety of architectural and landscape applications to accent or highlight specific architectural and landscape features, etc.

Specification

Housing	Die-cast aluminium
Finishing	Powder coated in black
Lens	Clear toughened safety glass
Gasket	Silicone rubber
Dimension	98x93x285 mm.
Mounting	Ground spike
Power	LED-MR16 : 6W LED-PAR16 : 7W
Light Source	LED-MR16 / LED-PAR16
Lamp Holder	GX5.3 : MR16 / GU10 : PAR16
Colour Temperature	3000K
Lamp Output	LED-MR16 : 550 lm LED-PAR16 : 620 lm
Control Gear	Separate magnetic or electronic transformer
Power Supply	220VAC,50Hz (Magnetic transformer) 220-240VAC,50Hz (Electronic transformer is available as option)
Insulation Class	I
IP Rating	55
Lamp Lifetime	15,000 hrs.
Equivalent	LED-MR16 6W : MR16 50W LED-PAR16 7W : PAR16 50W



Ordering Data

Model	Watt
GDS051/S-GX5.3	6W
GDS051/S-GU10	7W

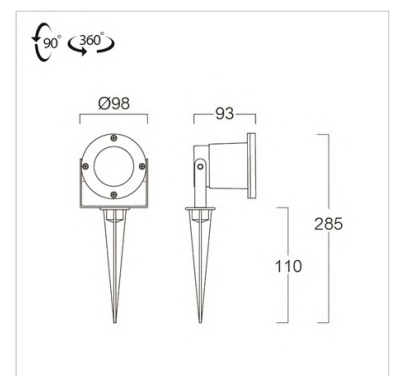
TIS GDS052

Application

Accent Luminaire is designed for a wide variety of architectural and landscape applications to accent or highlight specific architectural and landscape features, etc.

Specification

Housing	Die-cast aluminium
Finishing	Powder coated in black
Lens	Clear toughened safety glass
Gasket	Silicone rubber
Dimension	98x93x285 mm.
Mounting	Ground spike
Power	LED-MR16 : 6W LED-PAR16 : 7W
Light Source	LED-MR16 / LED-PAR16
Lamp Holder	GX5.3 : MR16 / GU10 : PAR16
Colour Temperature	3000K
Lamp Output	LED-MR16 : 550 lm LED-PAR16 : 620 lm
Control Gear	Separate magnetic or electronic transformer
Power Supply	220VAC,50Hz (Magnetic transformer) 220-240VAC,50Hz (Electronic transformer is available as option)
Insulation Class	I
IP Rating	55
Lamp Lifetime	15,000 hrs.
Equivalent	LED-MR16 6W : MR16 50W LED-PAR16 7W : PAR16 50W



Ordering Data

Model	Watt
GDS052/S-GX5.3	6W
GDS052/S-GU10	7W

LED Accent



TIS GDS100

Application

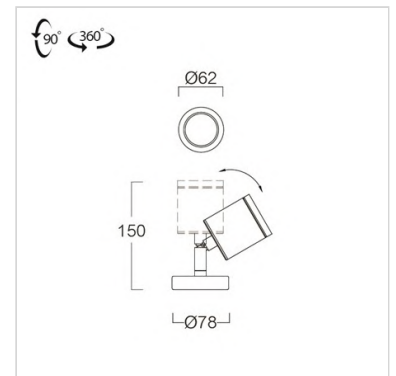
Accent Luminaire is designed for a wide variety of architectural and landscape applications to accent or highlight specific architectural and landscape features, etc.

Specification

Housing	Die-cast aluminium
Finishing	Powder coated in black
Lens	Clear toughened safety glass
Gasket	Silicone rubber
Dimension	62x78x150 mm.
Mounting	Ground spike
Power	6W
Light Source	LED-MR16
Lamp Holder	GX5.3
Colour Temperature	3000K
Lamp Output	550 lm
Control Gear	Separate magnetic or electronic transformer
Power Supply	220VAC,50Hz (Magnetic transformer) 220-240VAC,50Hz (Electronic transformer is available as option)
Insulation Class	III
IP Rating	55
Lamp Lifetime	15,000 hrs.
Equivalent	MR16 50W

Ordering Data

Model	Watt
GDS100-GX5.3/BK	6W



TIS GDS101

Application

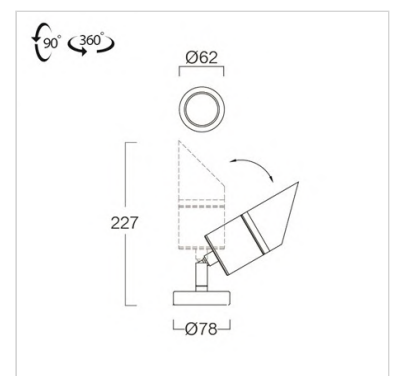
Accent Luminaire is designed for a wide variety of architectural and landscape applications to accent or highlight specific architectural and landscape features, etc.

Specification

Housing	Die-cast aluminium
Finishing	Powder coated in black
Lens	Clear toughened safety glass
Gasket	Silicone rubber
Dimension	62x78x239 mm.
Mounting	Ground spike
Power	6W
Light Source	LED-MR16
Lamp Holder	GX5.3
Colour Temperature	3000K
Lamp Output	550 lm
Control Gear	Separate magnetic or electronic transformer
Power Supply	220VAC,50Hz (Magnetic transformer) 220-240VAC,50Hz (Electronic transformer is available as option)
Insulation Class	III
IP Rating	55
Lamp Lifetime	15,000 hrs.
Equivalent	MR16 50W

Ordering Data

Model	Watt
GDS101-GX5.3	6W



LED Accent



TIS GDS103

Application

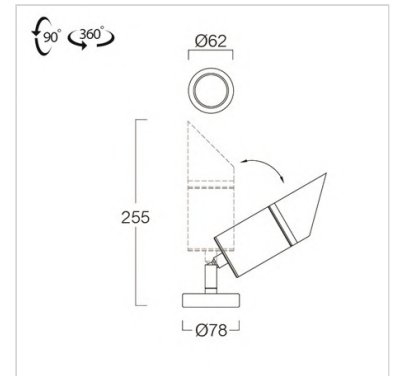
Accent Luminaire is designed for a wide variety of architectural and landscape applications to accent or highlight specific architectural and landscape features, etc.

Specification

Housing	Die cast aluminium
Finishing	Powder coated in black
Lens	Clear toughened safety glass
Gasket	Silicone rubber
Dimension	62x78x255 mm.
Mounting	Ground spike
Power	7W
Light Source	LED-PAR16
Lamp Holder	GU10
Colour Temperature	3000K
Lamp Output	620 lm
Power Supply	220VAC,50Hz
Insulation Class	I
IP Rating	55
Lamp Lifetime	15,000 hrs.
Equivalent	PAR16 50W

Ordering Data

Model	Watt
GDS103-GU10/BK	7W



TIS GDS104

Application

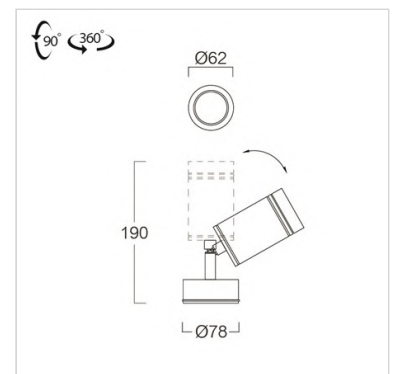
Accent Luminaire is designed for a wide variety of architectural and landscape applications to accent or highlight specific architectural and landscape features, etc.

Specification

Housing	Die-cast aluminium
Finishing	Powder coated in black
Gasket	Silicone rubber
Dimension	62x178x78 mm.
Mounting	Ground spike
Power	7W
Light Source	LED-PAR16
Lamp Holder	GU10
Colour Temperature	3000K
Lamp Output	620 lm
Power Supply	220VAC,50Hz
Insulation Class	I
IP Rating	55
Lamp Lifetime	15,000 hrs.
Equivalent	PAR16 50W

Ordering Data

Model	Watt
GDS104-GU10	7W



LED Accent



TIS GDS106

Application

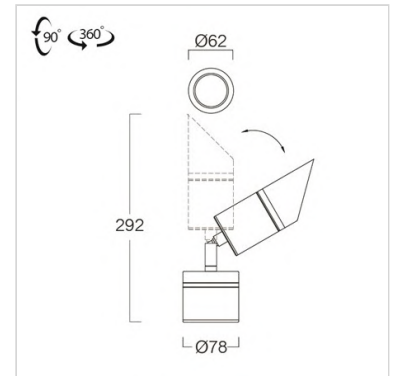
Accent Luminaire is designed for a wide variety of architectural and landscape applications to accent or highlight specific architectural and landscape features, etc.

Specification

Housing	Die cast aluminium
Finishing	Powder coated in black
Lens	Clear toughened safety glass
Gasket	Silicone rubber
Dimension	62x78x292 mm.
Mounting	Ground spike
Power	6W
Light Source	LED-MR16
Lamp Holder	GX5.3
Colour Temperature	3000K
Lamp Output	550 lm
Control Gear	Built-in electronic transformer
Power Supply	220VAC, 50Hz
Insulation Class	I
IP Rating	55
Lamp Lifetime	15,000 hrs.
Equivalent	MR16 50W

Ordering Data

Model	Watt
GDS106-GX5.3/BK	6W



LED Accent



TIS GDS211/B

Application

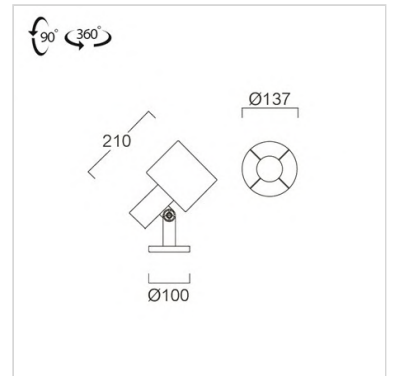
Accent Luminaire is designed for a wide variety of architectural and landscape applications to accent or highlight specific architectural and landscape features, etc.

Specification

Housing	Die-cast aluminium
Finishing	Powder coated in black
Louwer	Mesh aluminium
Gasket	Silicone rubber
Dimension	135x200x250 mm.
Mounting	Surface
Power	13W
Light Source	LED-PAR38
Lamp Holder	E27
Colour Temperature	3000K
Lamp Output	1300 lm
Power Supply	220VAC,50Hz
Insulation Class	I
IP Rating	54
Lamp Lifetime	25,000 hrs.
Equivalent	PAR38 100W

Ordering Data

Model	Watt
GDS211/B-E27	13W



TIS GDS211/S

Application

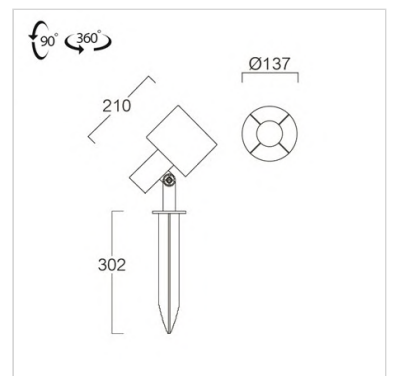
Accent Luminaire is designed for a wide variety of architectural and landscape applications to accent or highlight specific architectural and landscape features, etc.

Specification

Housing	Die-cast aluminium
Finishing	Powder coated in black
Louwer	Mesh aluminium
Gasket	Silicone rubber
Dimension	135x200x250 mm.
Mounting	Ground spike
Power	13W
Light Source	LED-PAR38
Lamp Holder	E27
Colour Temperature	3000K
Lamp Output	1300 lm
Power Supply	220VAC,50Hz
Insulation Class	I
IP Rating	54
Lamp Lifetime	25,000 hrs.
Equivalent	PAR38 100W

Ordering Data

Model	Watt
GDS211/S-E27	13W



LED Accent



TIS **GSL201**

Application

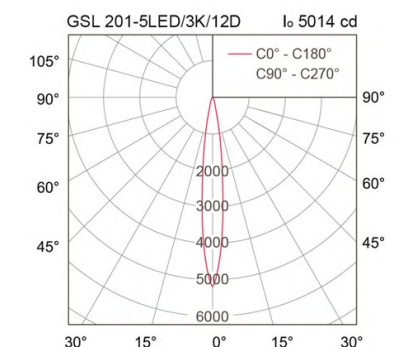
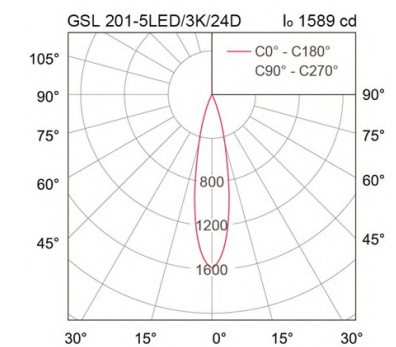
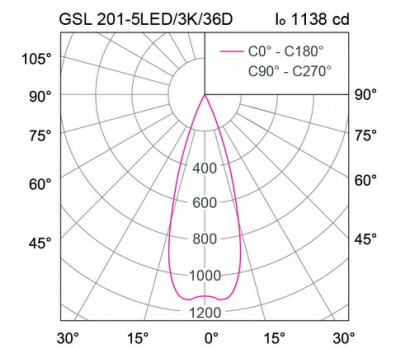
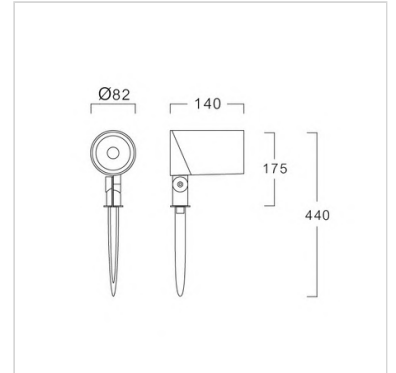
Accent Luminaire is designed for a wide variety of architectural and landscape applications to accent or highlight specific architectural and landscape features, etc.

Specification

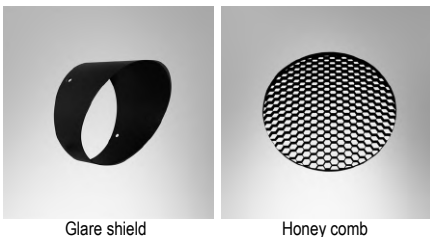
Housing	Die-cast aluminium
Finishing	Powder coated in black
Lens	Clear toughened glass
Gasket	Silicone rubber
Dimension	82x140x175 mm.
Mounting	Ground spike
Power	5W
Light Source	LED-COB
Colour Temperature	3000/4000K
Luminaire Output	360 lm
Beam Angle	12/24/36 degree
Control Gear	Built-in driver
Power Supply	220-240VAC,50Hz
Insulation Class	I
IP Rating	66
Luminaire Lifetime	30,000 hrs.
Equivalent	MR16 50W

Ordering Data

Model	Watt
GSL201-5LED	5W



Related Products



Glare shield

Honey comb

LED Accent



TIS **GSL211**

Application

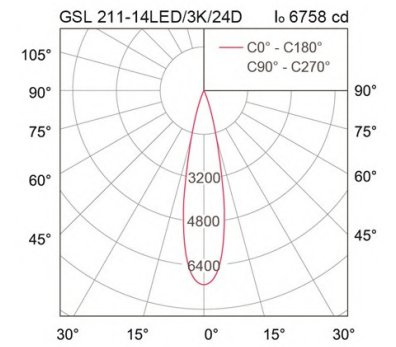
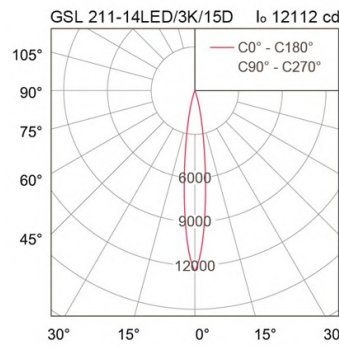
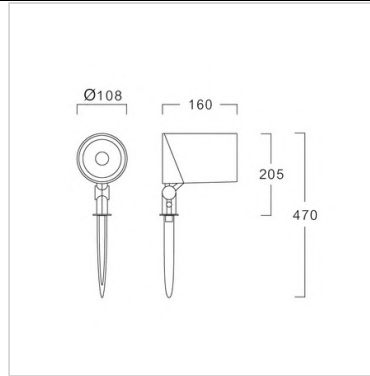
Accent Luminaire is designed for a wide variety of architectural and landscape applications to accent or highlight specific architectural and landscape features, etc.

Specification

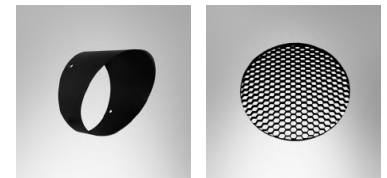
Housing	Die-cast aluminium
Finishing	Powder coated in black
Lens	Clear toughened glass
Gasket	Silicone rubber
Dimension	108x160x205 mm.
Mounting	Ground spike
Power	14W
Light Source	LED-COB
Colour Temperature	3000/4000K
Luminaire Output	1190 lm
Beam Angle	15/24/40 degree
Control Gear	Built-in driver
Power Supply	220-240VAC,50Hz
Insulation Class	I
IP Rating	66
Luminaire Lifetime	50,000 hrs.
Equivalent	PAR30 100W

Ordering Data

Model	Watt
GSL211-14LED	14W



Related Products



Glare shield

Honey comb

TIS **GSL221**

Application

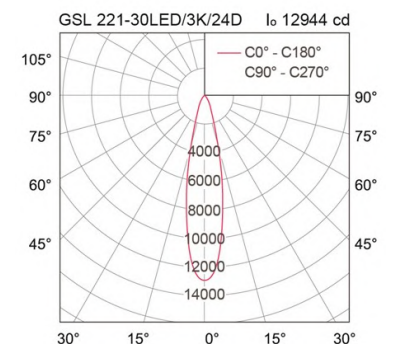
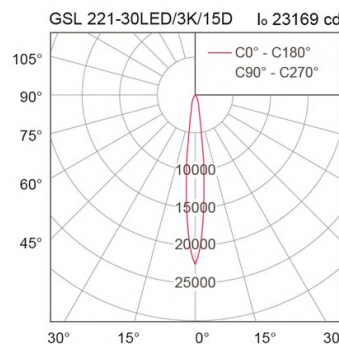
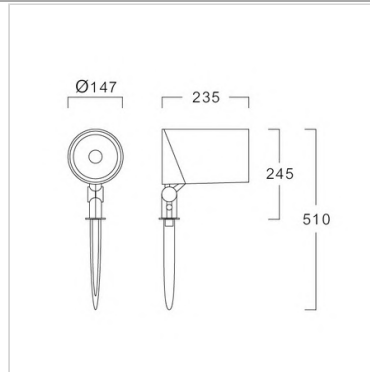
Accent Luminaire is designed for a wide variety of architectural and landscape applications to accent or highlight specific architectural and landscape features, etc.

Specification

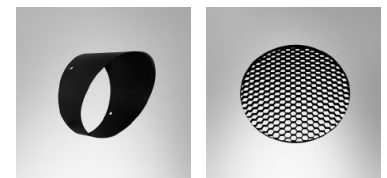
Housing	Die-cast aluminium
Finishing	Powder coated in black
Lens	Clear toughened glass
Gasket	Silicone rubber
Dimension	147x235x245 mm.
Mounting	Ground spike
Power	30W
Light Source	LED-COB
Colour Temperature	3000/4000K
Luminaire Output	3000 lm
Beam Angle	15/24/40 degree
Control Gear	Built-in driver
Power Supply	220-240VAC,50Hz
Insulation Class	I
IP Rating	66
Luminaire Lifetime	50,000 hrs.
Equivalent	MH 70W

Ordering Data

Model	Watt
GSL221-30LED	30W



Related Products



Glare shield

Honey comb

LED Accent



TIS GSL130

Application

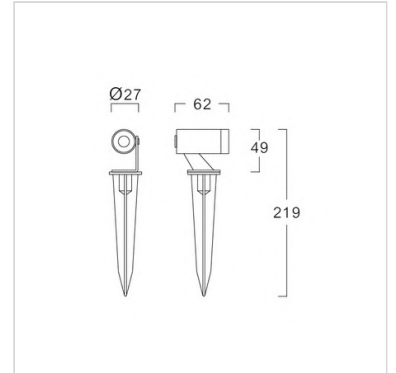
Accent Luminaire is designed for a wide variety of architectural and landscape applications to accent or highlight specific architectural and landscape features, etc.

Specification

Housing	Die-cast aluminium
Finishing	Powder coated in black
Lens	Clear toughened glass
Gasket	Silicone rubber
Dimension	27x62x49 mm.
Mounting	Ground spike
Power	4W
Light Source	LED-COB
Colour Temperature	3000K
Luminaire Output	180 lm
Beam Angle	15/20/30 degree
Control Gear	Separate switching power supply
Power Supply	220-240VAC,50Hz
Insulation Class	III
IP Rating	66
Luminaire Lifetime	50,000 hrs.
Equivalent	JC 20W

Ordering Data

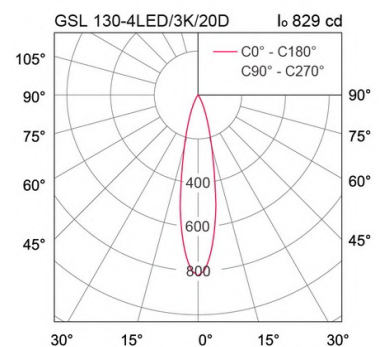
Model	Watt
GSL130-4LED	4W



Related Products



Tree strap



LED Accent



TIS GSL131

Application

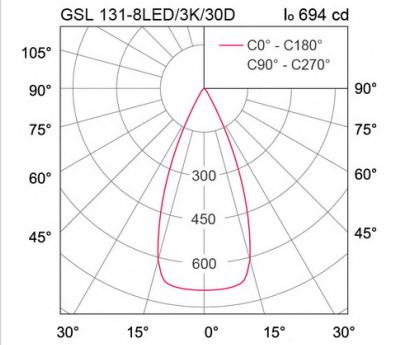
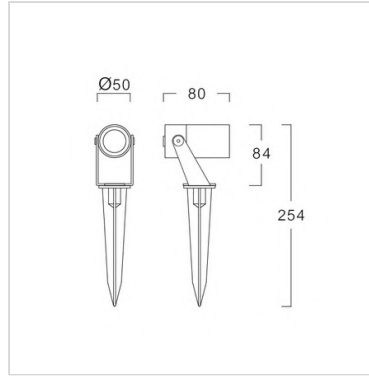
Accent Luminaire is designed for a wide variety of architectural and landscape applications to accent or highlight specific architectural and landscape features, etc.

Specification

Housing	Die-cast aluminium
Finishing	Powder coated in black
Lens	Clear toughened glass
Gasket	Silicone rubber
Dimension	50x80x84 mm.
Mounting	Ground spike
Power	8W
Light Source	LED-COB
Colour Temperature	3000K
Luminaire Output	650 lm
Beam Angle	15/30/50 degree
Control Gear	Separate switching power supply
Power Supply	220-240VAC, 50Hz
Insulation Class	III
IP Rating	66
Luminaire Lifetime	50,000 hrs.
Equivalent	PAR30 75W

Ordering Data

Model	Watt
GSL131-8LED	8W



Related Products



Honey comb

Tree strap

TIS GSL132

Application

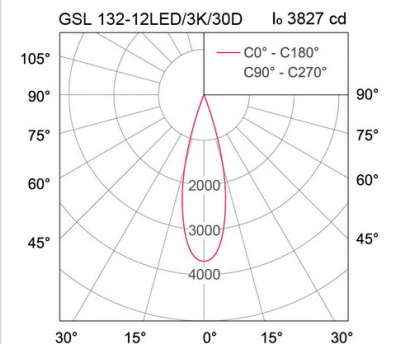
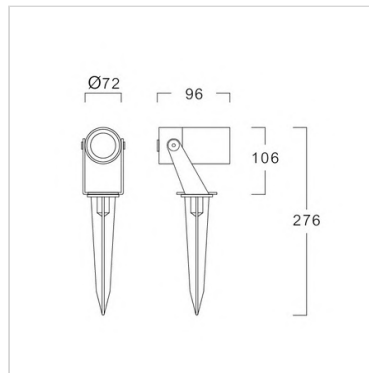
Accent Luminaire is designed for a wide variety of architectural and landscape applications to accent or highlight specific architectural and landscape features, etc.

Specification

Housing	Die-cast aluminium
Finishing	Powder coated in black
Lens	Clear toughened glass
Gasket	Silicone rubber
Dimension	72x96x106 mm.
Mounting	Ground spike
Power	12W
Light Source	LED-COB
Colour Temperature	3000K
Luminaire Output	1100 lm
Beam Angle	15/30/50 degree
Control Gear	Separate switching power supply
Power Supply	220-240VAC, 50Hz
Insulation Class	III
IP Rating	66
Luminaire Lifetime	50,000 hrs.
Equivalent	PAR30 100W

Ordering Data

Model	Watt
GSL132-12LED	12W



Related Products



Honey comb

Tree strap

LED Accent



TIS **GSL601**

Application

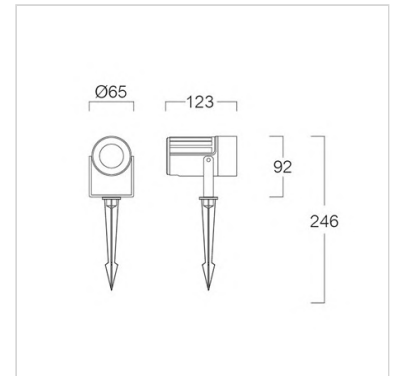
Accent Luminaire is designed for a wide variety of architectural and landscape applications to accent or highlight specific architectural and landscape features, etc.

Specification

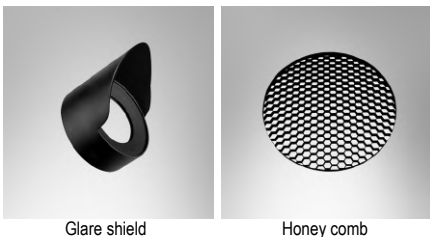
Housing	Die-cast aluminium
Front Cover	Clear toughened glass
Finishing	Powder coated in black
Gasket	Silicone rubber
Dimension	72x123x92 mm.
Mounting	Ground spike
Power	5W
Light Source	LED-COB
Colour Temperature	3000K
Luminaire Output	345 lm
Beam Angle	20 degree
Control Gear	Built-in driver
Power Supply	220-240VAC,50Hz
Power Factor	>0.5
Insulation Class	I
IP Rating	66
Luminaire Lifetime	30,000 hrs.
Equivalent	MR16 50W

Ordering Data

Model	Watt
GSL601-5LED	5W

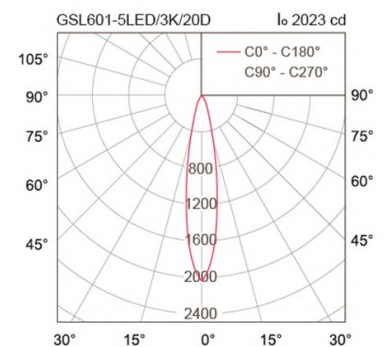


Related Products



Glare shield

Honey comb



LED Accent



TIS GSL611

Application

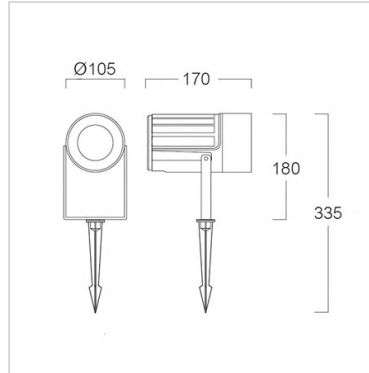
Accent Luminaire is designed for a wide variety of architectural and landscape applications to accent or highlight specific architectural and landscape features, etc.

Specification

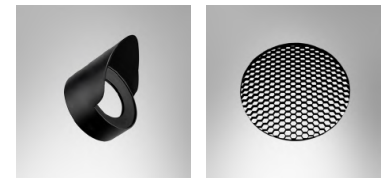
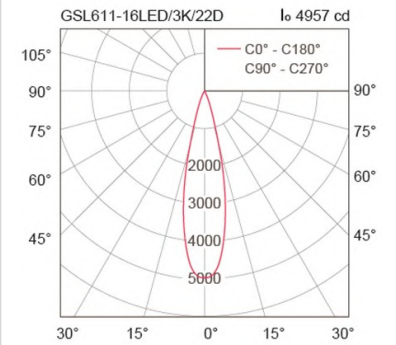
Housing	Die-cast aluminium
Front Cover	Clear toughened glass
Finishing	Powder coated in black
Gasket	Silicone rubber
Dimension	105x170x335 mm.
Mounting	Ground spike
Power	16W
Light Source	LED-COB
Colour Temperature	3000K
Luminaire Output	960 lm
Beam Angle	22 degree
Control Gear	Built-in driver
Power Supply	220-240VAC,50Hz
Power Factor	>0.5
Insulation Class	I
IP Rating	66
Luminaire Lifetime	30,000 hrs.
Equivalent	PAR30 100W

Ordering Data

Model	Watt
GSL611-16LED	16W



Related Products



Glare shield

Honey comb

TIS GSL621

Application

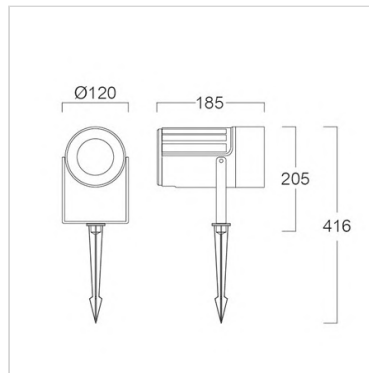
Accent Luminaire is designed for a wide variety of architectural and landscape applications to accent or highlight specific architectural and landscape features, etc.

Specification

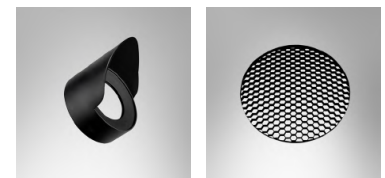
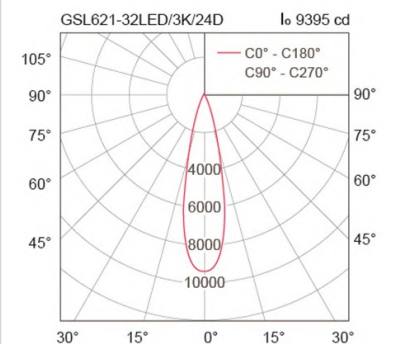
Housing	Die-cast aluminium
Front Cover	Clear toughened glass
Finishing	Powder coated in black
Gasket	Silicone rubber
Dimension	120x185x416 mm.
Mounting	Ground spike
Power	32W
Light Source	LED-COB
Colour Temperature	3000K
Luminaire Output	2190 lm
Beam Angle	24 degree
Control Gear	Built-in driver
Power Supply	220-240VAC,50Hz
Power Factor	>0.95
Insulation Class	I
IP Rating	66
Luminaire Lifetime	30,000 hrs.
Equivalent	MH 70W

Ordering Data

Model	Watt
GSL621-32LED	32W



Related Products



Glare shield

Honey comb



Landscape Lighting

Underwater/Inground

LED Underwater



TIS SUB010

Application

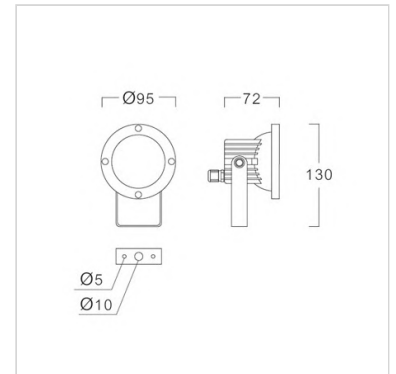
Underwater is designed to illuminate aquariums, water falls, swimming pools, fountains, etc.

Specification

Housing	Die-cast aluminium
Front Cover	Frosted toughened glass
Finishing	Powder coated in black
Gasket	Silicone rubber
Dimension	95x72x130 mm.
Mounting	Surface
Power	6W
Light Source	LED-MR16
Lamp Holder	GX5.3
Colour Temperature	3000K
Lamp Output	550 lm
Control Gear	Separate magnetic or electronic transformer
Power Supply	220VAC, 50Hz (Magnetic transformer) 220-240VAC, 50Hz (Electronic transformer is available as option)
Insulation Class	III
IP Rating	68
Lamp Lifetime	15,000 hrs.
Equivalent	MR16 50W

Ordering Data

Model	Watt
SUB010-GX5.3	6W



LED Underwater

SUB015/LED

Application

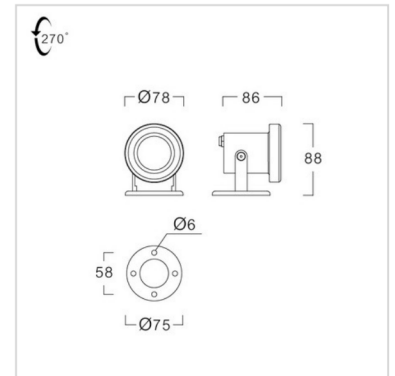
Underwater is designed to illuminate aquariums, water falls, swimming pools, fountains, etc.

Specification

Housing	Grade 316 stainless steel
Finishing	Matt finished
Lens	Clear toughened glass
Dimension	78x86x88 mm.
Mounting	Surface
Power	LED Module : 5W LED-MR16 : 6W
Light Source	LED Module / LED-MR16
Colour Temperature	3000K
Lamp Output	6W : 550 lm
Luminaire Output	5W : 425 lm
Beam Angle	LED Module : 33 degree LED-MR16 : 36 degree
Control Gear	5W : Separate driver 6W : Separate magnetic transformer
Power Supply	220-240VAC, 50Hz (LED Driver) 220VAC, 50Hz (Magnetic transformer)
Insulation Class	III
IP Rating	68
Lamp Lifetime	6W : 15,000 hrs.
Luminaire Lifetime	5W : 25,000 hrs.
Equivalent	MR16 50W

Ordering Data

Model	Watt
SUB015-5LED	5W
SUB015-GX5.3	6W



SUW015/LED

Application

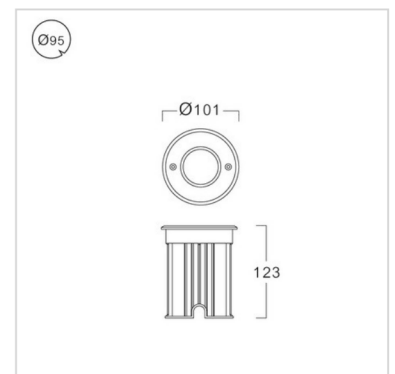
Underwater is designed to illuminate aquariums, water falls, swimming pools, fountains, etc.

Specification

Housing	Grade 316 stainless steel
Finishing	Matt finished
Lens	Clear toughened glass
Dimension	Dia. 101x123 mm.
Cut Out	Dia. 95 mm.
Mounting	Recessed in block out made of polypropylene
Power	LED Module : 5W LED-MR16 : 6W
Light Source	LED Module / LED-MR16
Colour Temperature	3000K
Lamp Output	6W : 550 lm
Luminaire Output	5W : 425 lm
Beam Angle	LED Module : 33 degree LED-MR16 : 36 degree
Control Gear	5W : Separate driver 6W : Separate magnetic transformer
Power Supply	220-240VAC, 50Hz (LED Driver) 220VAC, 50Hz (Magnetic transformer)
Insulation Class	III
IP Rating	68
Lamp Lifetime	6W : 15,000 hrs.
Luminaire Lifetime	5W : 25,000 hrs.
Equivalent	MR16 50W

Ordering Data

Model	Watt
SUW015-5LED	5W
SUW015-GX5.3	6W



LED Underwater

TIS SUL200

Application

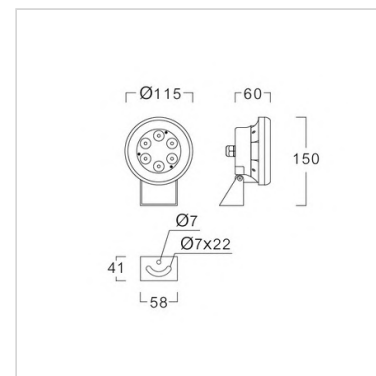
Underwater is designed to illuminate aquariums, water falls, swimming pools, fountains, etc.

Specification

Housing	Grade 316 stainless steel
Finishing	Matt finished
Lens	Clear toughened glass
Gasket	Silicone rubber
Cable Entry	M12 nickel brass cable gland
Dimension	115x60x150 mm.
Mounting	Surface
Power	6W
Light Source	LED Module
Colour Temperature	2700K
Luminaire Output	480 lm
Beam Angle	10/40 degree
Control Gear	Separate switching power supply
Power Supply	220-240VAC, 50Hz
Insulation Class	III
IP Rating	68
Luminaire Lifetime	30,000 hrs.
Equivalent	MR16 50W

Ordering Data

Model	Watt
SUL 200-6LED	6W



TIS SUL201

Application

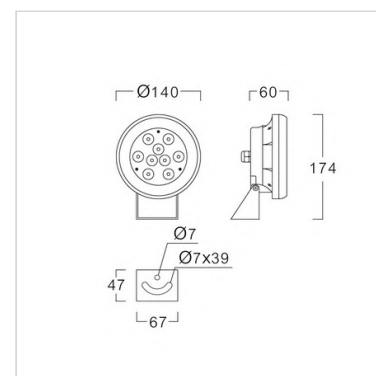
Underwater is designed to illuminate aquariums, water falls, swimming pools, fountains, etc.

Specification

Housing	Grade 316 stainless steel
Finishing	Matt finished
Lens	Clear toughened glass
Gasket	Silicone rubber
Cable Entry	M12 nickel brass cable gland
Dimension	140x60x174 mm.
Mounting	Surface
Power	10W
Light Source	LED Module
Colour Temperature	2700K
Luminaire Output	800 lm
Beam Angle	10/40 degree
Control Gear	Separate switching power supply
Power Supply	220-240VAC, 50Hz
Insulation Class	III
IP Rating	68
Luminaire Lifetime	30,000 hrs.
Equivalent	QR111 75W

Ordering Data

Model	Watt
SUL201-10LED	10W



LED Underwater



TIS RUL201

Application

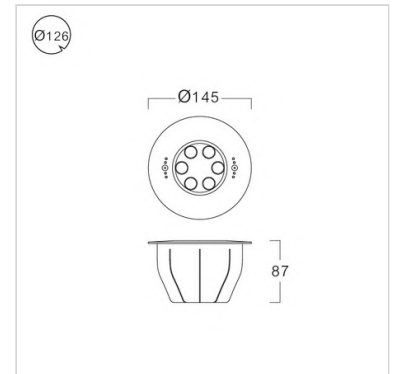
Underwater is designed to illuminate aquariums, water falls, swimming pools, fountains, etc.

Specification

Housing	Grade 316 stainless steel
Finishing	Matt finished
Lens	Clear toughened glass
Gasket	Silicone rubber
Cable Entry	M12 nickel brass cable gland
Dimension	Dia. 145x87 mm.
Cut Out	Dia. 126 mm.
Mounting	Recessed in block out made of polypropylene
Power	15W
Light Source	LED Module
Colour Temperature	2700K
Luminaire Output	1050 lm
Beam Angle	10/40 degree
Control Gear	Separate switching power supply
Power Supply	220-240VAC, 50Hz
Insulation Class	III
IP Rating	68
Luminaire Lifetime	30,000 hrs.
Equivalent	QR111 75W

Ordering Data

Model	Watt
RUL201-15LED	15W



TIS RUL202

Application

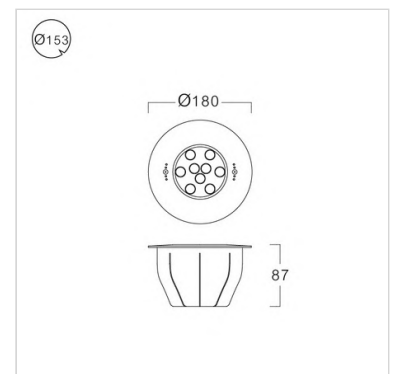
Underwater is designed to illuminate aquariums, water falls, swimming pools, fountains, etc.

Specification

Housing	Grade 316 stainless steel
Finishing	Matt finished
Lens	Clear toughened glass
Gasket	Silicone rubber
Cable Entry	M12 nickel brass cable gland
Dimension	Dia. 180x87 mm.
Cut Out	Dia. 153 mm.
Mounting	Recessed in block out made of polypropylene
Power	21W
Light Source	LED Module
Colour Temperature	2700K
Luminaire Output	1470 lm
Beam Angle	10/40 degree
Control Gear	Separate switching power supply
Power Supply	220-240VAC, 50Hz
Insulation Class	III
IP Rating	68
Luminaire Lifetime	30,000 hrs.
Equivalent	QR111 100W

Ordering Data

Model	Watt
RUL202-21LED	21W



LED Underwater



TIS SUL275

Application

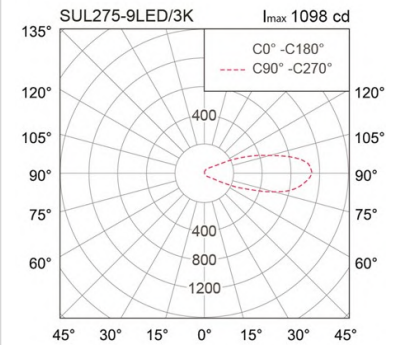
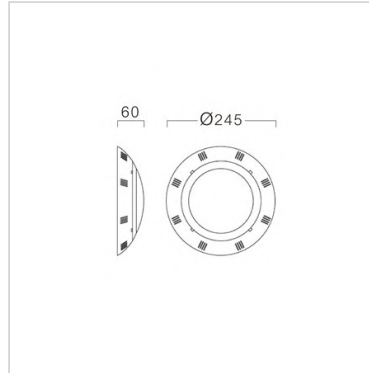
Underwater is designed to illuminate aquariums, water falls, swimming pools, fountains, etc.

Specification

Housing	ABS plastic
Lens	Acrylic (PMMA)
Gasket	Silicone rubber
Dimension	Dia.245x60 mm.
Mounting	Surface
Power	9W
Light Source	LED Module
Colour Temperature	3000K
Luminaire Output	585 lm
Beam Angle	Symmetrical wide beam
Control Gear	Separate switching power supply
Power Supply	220-240VAC,50Hz
Insulation Class	III
IP Rating	68
Luminaire Lifetime	25,000 hrs.
Equivalent	QR111 50W

Ordering Data

Model	Watt
SUL275-9LED	9W



TIS SUL280

Application

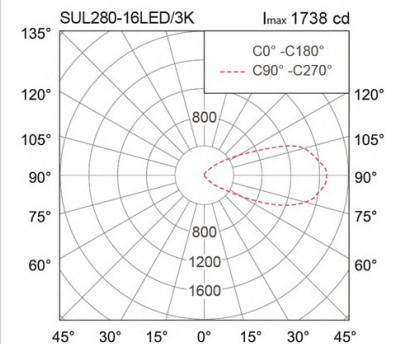
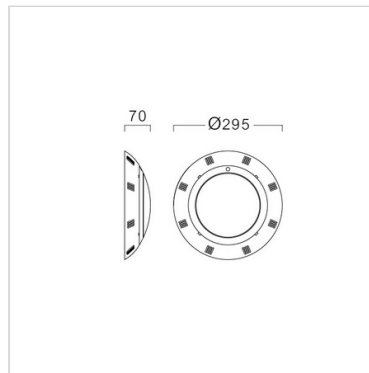
Underwater is designed to illuminate aquariums, water falls, swimming pools, fountains, etc.

Specification

Housing	ABS plastic
Lens	Acrylic (PMMA)
Gasket	Silicone rubber
Dimension	Dia.295x70 mm.
Mounting	Surface
Power	16W
Light Source	LED Module
Colour Temperature	3000K
Luminaire Output	1200 lm
Beam Angle	Symmetrical wide beam
Control Gear	Separate driver
Power Supply	220-240VAC,50Hz
Insulation Class	III
IP Rating	68
Luminaire Lifetime	25,000 hrs.
Equivalent	QR111 75W

Ordering Data

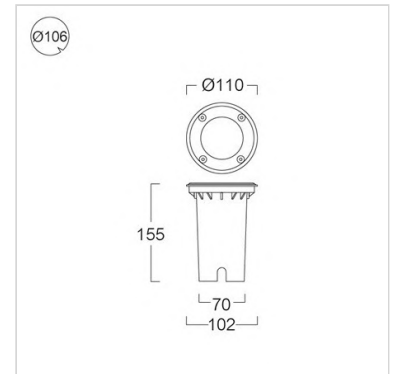
Model	Watt
SUL280-16LED	16W



TIS **ING167**

Specification

Housing	Die-cast aluminium body with grade 316 stainless steel flange
Front Cover	Clear toughened glass
Finishing	Matt finished
Gasket	Silicone rubber
Dimension	Dia.110x155 mm.
Cut Out	Dia.106 mm.
Mounting	Recessed in block out made of polypropylene
Power	LED-MR16 : 6W LED-PAR16 : 7W
Light Source	LED-MR16 / LED-PAR16
Lamp Holder	GX5.3 : LED-MR16
Colour Temperature	3000K
Lamp Output	LED-MR16 : 550 lm LED-PAR16 : 620 lm
Control Gear	Separate magnetic or electronic transformer
Dimming Method	Non-dim
Power Supply	220VAC, 50Hz (Magnetic transformer) 220-240VAC,50Hz (Electronic transformer is available as option)
IP Rating	67
Lamp Lifetime	15,000 hrs.
Equivalent	6W : MR16 50W 7W : PAR16 50W



Ordering Data

Model	Watt
ING167-GX5.3	6W
ING167-GU10	7W

LED Inground



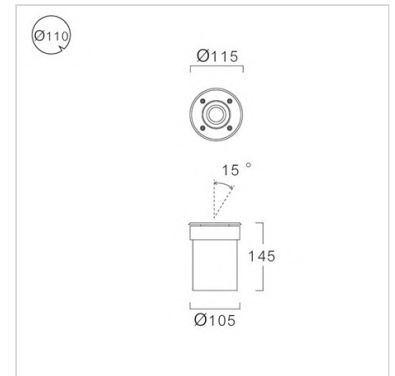
 TIS INL210

Application

Inground luminaire is designed to accent or highlight trees, walls, columns, signboards, etc.

Specification

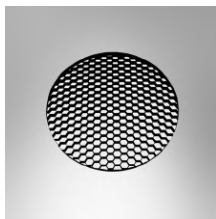
Housing	Die-cast aluminium body with grade 316 stainless steel flange
Finishing	Matt finished
Lens	Clear toughened glass
Gasket	Silicone rubber
Cable Entry	Nickel brass cable gland
Dimension	Dia. 115x150 mm.
Cut Out	Dia. 110 mm.
Mounting	Recessed in block out made of polypropylene
Power	5W
Light Source	LED-COB
Colour Temperature	3000/4000/5000K
Luminaire Output	225 lm
Beam Angle	24/60 degree
Control Gear	Separate driver
Power Supply	220-240VAC, 50Hz
Insulation Class	III
IP Rating	67
Luminaire Lifetime	25,000 hrs.
Equivalent	MR16 35W



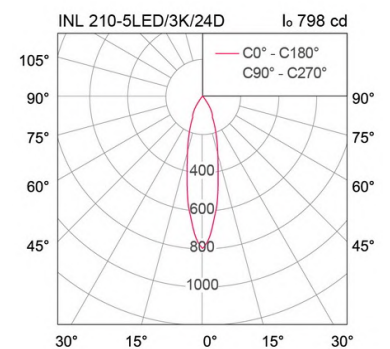
Ordering Data

Model	Watt
INL210-5LED	5W

Related Products



Honey comb



LED Inground



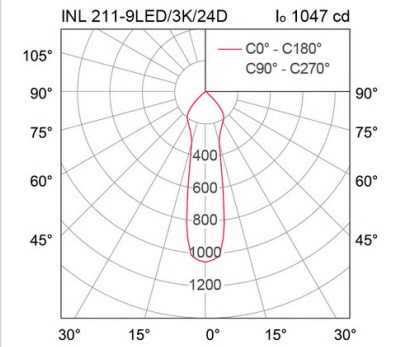
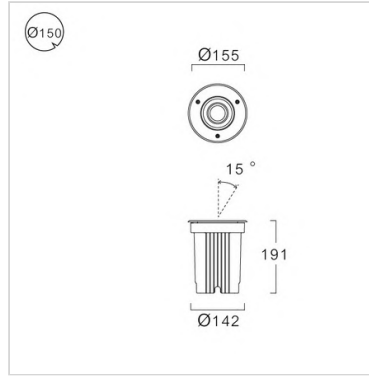
INL211

Application

Inground luminaire is designed to accent or highlight trees, walls, columns, signboards, etc.

Specification

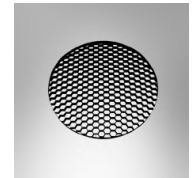
Housing	Die-cast aluminium body with grade 316 stainless steel flange
Finishing	Matt finished
Lens	Clear toughened glass
Gasket	Silicone rubber
Cable Entry	Nickel brass cable gland
Dimension	Dia.155x191 mm.
Cut Out	Dia.150 mm.
Mounting	Recessed in block out made of polypropylene
Power	9W
Light Source	LED-COB
Colour Temperature	3000/4000/5000K
Luminaire Output	450 lm
Beam Angle	24/60 degree
Control Gear	Separate driver
Power Supply	220-240VAC,50Hz
Insulation Class	III
IP Rating	67
Luminaire Lifetime	50,000 hrs.
Equivalent	PAR30 75W



Ordering Data

Model	Watt
INL211-9LED	9W

Related Products



Honey comb

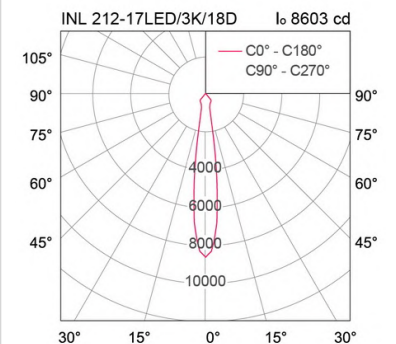
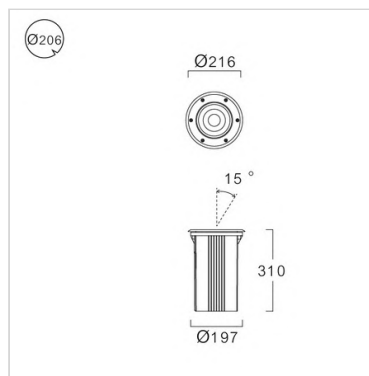
INL212

Application

Inground luminaire is designed to accent or highlight trees, walls, columns, signboards, etc.

Specification

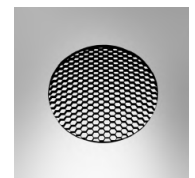
Housing	Die-cast aluminium body with grade 316 stainless steel flange
Finishing	Matt finished
Lens	Clear toughened glass
Gasket	Silicone rubber
Cable Entry	Nickel brass cable gland
Dimension	Dia.216x310 mm.
Cut Out	Dia.206 mm.
Mounting	Recessed in block out made of polypropylene
Power	17W
Light Source	LED-COB
Colour Temperature	3000/4000/6000K
Luminaire Output	1275 lm
Beam Angle	18/36 degree
Control Gear	Separate driver
Power Supply	220-240VAC,50Hz
Insulation Class	III
IP Rating	67
Luminaire Lifetime	50,000 hrs.
Equivalent	MH 35W



Ordering Data

Model	Watt
INL212-17LED	17W

Related Products



Honey comb

LED Inground



TIS INL100

Application

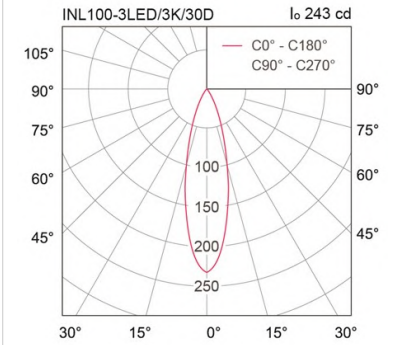
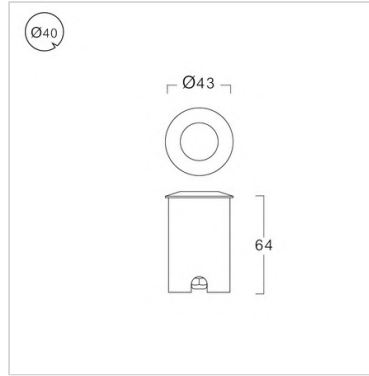
Inground luminaire is designed to accent or highlight trees, walls, columns, signboards, etc.

Specification

Housing	Corrosion resistant aluminium
Finishing	Matt finished
Lens	Frosted glass
Gasket	Silicone rubber
Cable Entry	PG7 nickel brass cable gland
Dimension	Dia.43x64 mm.
Cut Out	Dia.40 mm.
Mounting	Recessed in block out made of aluminium
Power	3W
Light Source	LED Module
Colour Temperature	3000K
Luminaire Output	45 lm
Beam Angle	30/60 degree
Control Gear	Separate driver
Power Supply	220-240VAC,50Hz
Insulation Class	III
IP Rating	67
Luminaire Lifetime	25,000 hrs.
Equivalent	JC 10W

Ordering Data

Model	Watt
INL100-3LED	3W



TIS INL101

Application

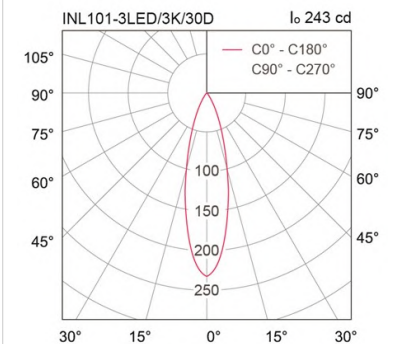
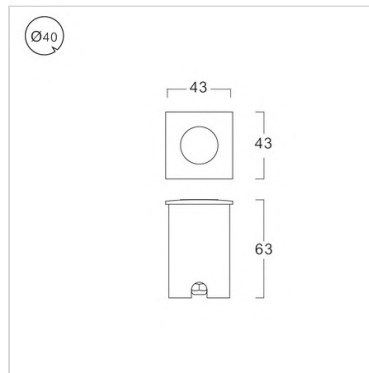
Inground luminaire is designed to accent or highlight trees, walls, columns, signboards, etc.

Specification

Housing	Corrosion resistant aluminium
Finishing	Matt finished
Lens	Frosted glass
Gasket	Silicone rubber
Cable Entry	PG7 nickel brass cable gland
Dimension	43x43x63 mm.
Cut Out	Dia.40 mm.
Mounting	Recessed in block out made of aluminium
Power	3W
Light Source	LED Module
Colour Temperature	3000K
Luminaire Output	45 lm
Beam Angle	30/60 degree
Control Gear	Separate driver
Power Supply	220-240VAC,50Hz
Insulation Class	III
IP Rating	67
Luminaire Lifetime	25,000 hrs.
Equivalent	JC 10W

Ordering Data

Model	Watt
INL101-3LED	3W



LED Inground

TIS INL200

Application

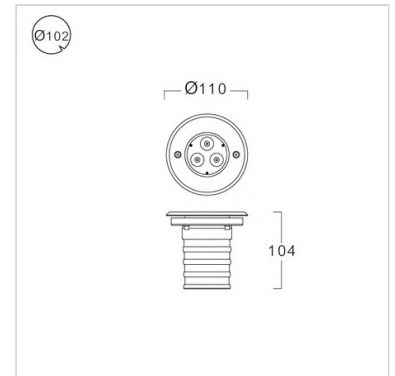
Inground luminaire is designed to accent or highlight trees, walls, columns, signboards, etc.

Specification

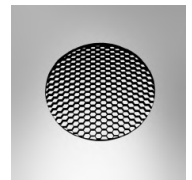
Housing	Die-cast aluminium body with grade 304 stainless steel flange
Finishing	Matt finished
Lens	Clear toughened glass
Gasket	Silicone rubber
Cable Entry	M12 nickel brass cable gland
Dimension	Dia.110x104 mm.
Cut Out	Dia.102 mm.
Mounting	Recessed in block out made of aluminium
Power	5W
Light Source	LED Module
Colour Temperature	3000K
Luminaire Output	350 lm
Beam Angle	25/40 degree
Control Gear	Separate driver
Power Supply	220-240VAC,50Hz
Insulation Class	III
IP Rating	67
Luminaire Lifetime	30,000 hrs.
Equivalent	MR16 35W

Ordering Data

Model	Watt
INL200-5LED	5W



Related Products



Honey comb

TIS INL201

Application

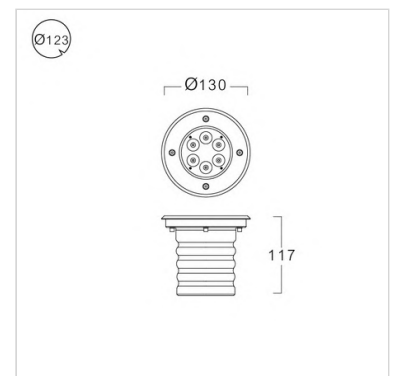
Inground luminaire is designed to accent or highlight trees, walls, columns, signboards, etc.

Specification

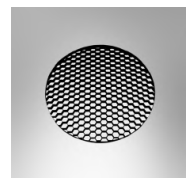
Housing	Die-cast aluminium body with grade 304 stainless steel flange
Finishing	Matt finished
Lens	Clear toughened glass
Gasket	Silicone rubber
Cable Entry	M12 nickel brass cable gland
Dimension	Dia.130x117 mm.
Cut Out	Dia.123 mm.
Mounting	Recessed in block out made of aluminium
Power	7W
Light Source	LED Module
Colour Temperature	3000K
Luminaire Output	805 lm
Beam Angle	25/40 degree
Control Gear	Separate driver
Power Supply	220-240VAC,50Hz
Insulation Class	III
IP Rating	67
Luminaire Lifetime	30,000 hrs.
Equivalent	MR16 50W

Ordering Data

Model	Watt
INL201-7LED	7W



Related Products



Honey comb

LED Inground



 TIS INL501

Application

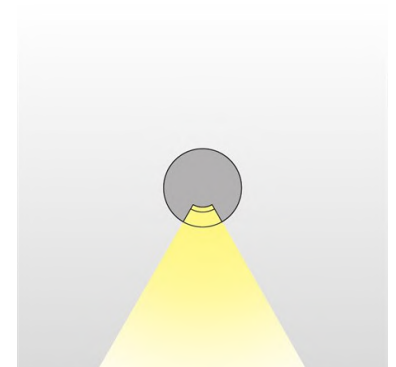
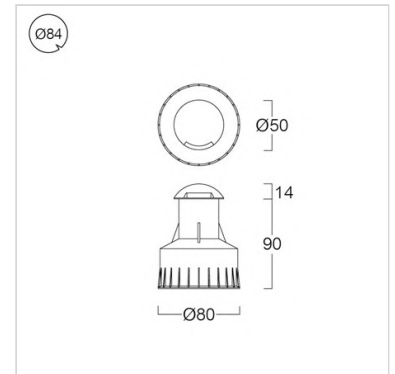
Inground luminaire is designed to accent or highlight trees, walls, columns, signboards, etc.

Specification

Housing	Body made of die-cast aluminium Top cover made of die-cast aluminium
Finishing	Powder coated in grey
Lens	Polycarbonate
Gasket	Silicone rubber
Cable Entry	Nickel brass cable gland
Dimension	Dia.50x104 mm.
Cut Out	Dia.84 mm.
Mounting	Recessed in block out made of polypropylene
Power	3W
Light Source	LED Module
Colour Temperature	3000K
Beam Angle	One-direction output
Control Gear	Separate switching power supply
Power Supply	220-240VAC,50Hz
Insulation Class	III
IP Rating	67
Luminaire Lifetime	30000 hrs.
Equivalent	JC 10W

Ordering Data

Model	Watt
INL501-3LED	3W



LED Inground



TIS INL502

Application

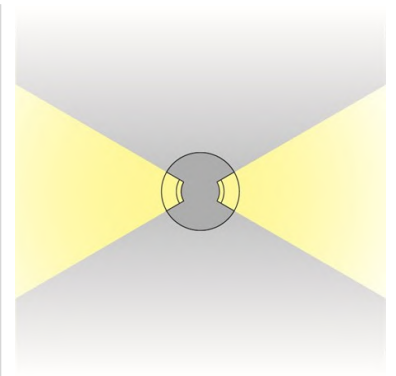
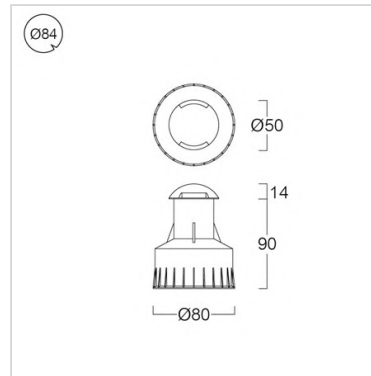
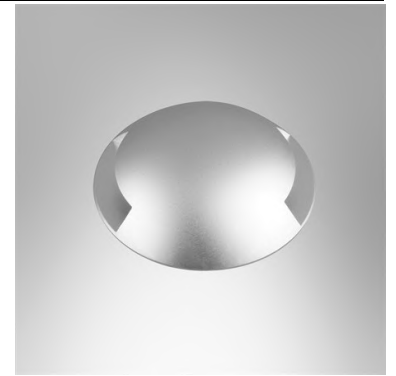
Inground luminaire is designed to accent or highlight trees, walls, columns, signboards, etc.

Specification

Housing	Body made of die-cast aluminium Top cover made of die-cast aluminium
Finishing	Powder coated in grey
Lens	Polycarbonate
Gasket	Silicone rubber
Cable Entry	Nickel brass cable gland
Dimension	Dia.50x104 mm.
Cut Out	Dia.84 mm.
Mounting	Recessed in block out made of polypropylene
Power	3W
Light Source	LED Module
Colour Temperature	3000K
Beam Angle	Two-direction output
Control Gear	Separate switching power supply
Power Supply	220-240VAC,50Hz
Insulation Class	III
IP Rating	67
Luminaire Lifetime	30000 hrs.
Equivalent	JC 10W

Ordering Data

Model	Watt
INL502-3LED	3W



TIS INL503

Application

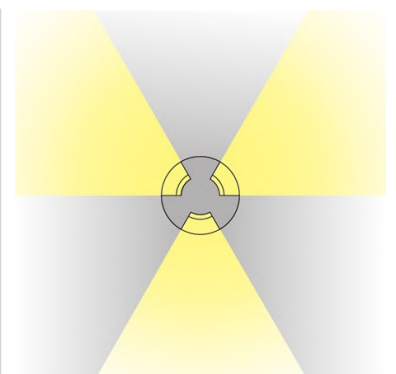
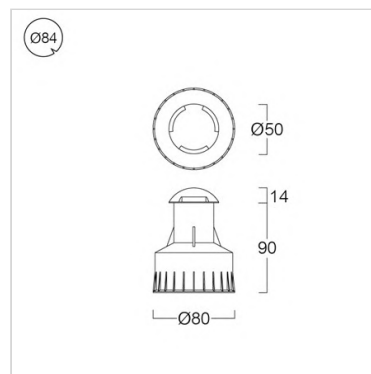
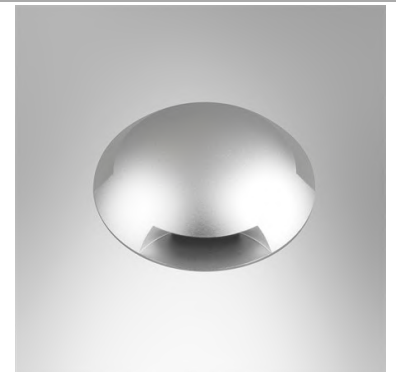
Inground luminaire is designed to accent or highlight trees, walls, columns, signboards, etc.

Specification

Housing	Body made of die-cast aluminium Top cover made of die-cast aluminium
Finishing	Powder coated in grey
Lens	Polycarbonate
Gasket	Silicone rubber
Cable Entry	Nickel brass cable gland
Dimension	Dia.50x104 mm.
Cut Out	Dia.84 mm.
Mounting	Recessed in block out made of polypropylene
Power	3W
Light Source	LED Module
Colour Temperature	3000K
Beam Angle	Three-direction output
Control Gear	Separate switching power supply
Power Supply	220-240VAC,50Hz
Insulation Class	III
IP Rating	67
Luminaire Lifetime	30000 hrs.
Equivalent	JC 10W

Ordering Data

Model	Watt
INL503-3LED	3W



LED Inground



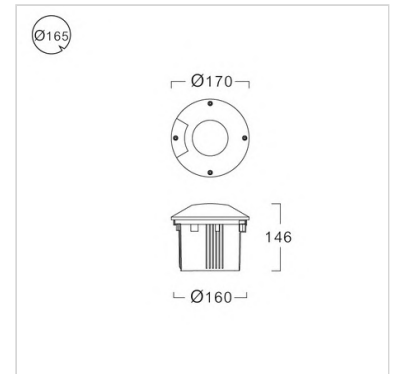
 TIS INL601

Application

Inground luminaire is designed to accent or highlight trees, walls, columns, signboards, etc.

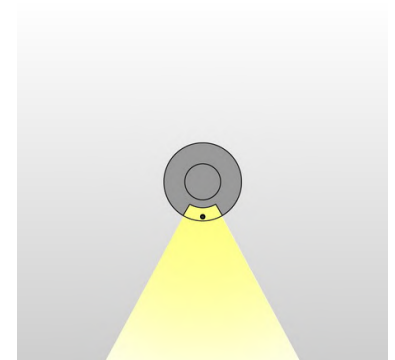
Specification

Housing	Body made of die-cast aluminium Top cover made of die-cast aluminium
Finishing	Powder coated in black
Lens	Polycarbonate
Gasket	Silicone rubber
Cable Entry	Nickel brass cable gland
Dimension	Dia. 170x146 mm.
Cut Out	Dia. 165 mm.
Mounting	Recessed in block out made of polypropylene
Power	5W
Light Source	LED Module
Colour Temperature	3000/4000/5700K
Luminaire Output	75 lm
Beam Angle	One-direction output
Control Gear	Separate driver
Power Supply	220-240VAC, 50Hz
Insulation Class	III
IP Rating	67
Luminaire Lifetime	25,000 hrs.
Equivalent	JC 50W



Ordering Data

Model	Watt
INL601-5LED	5W



LED Inground



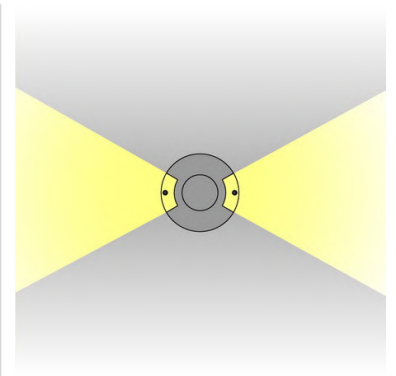
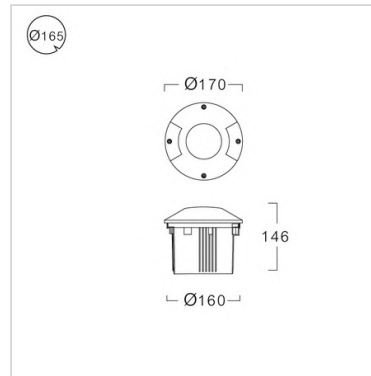
TIS INL602

Application

Inground luminaire is designed to accent or highlight trees, walls, columns, signboards, etc.

Specification

Housing	Body made of die-cast aluminium Top cover made of die-cast aluminium
Finishing	Powder coated in black
Lens	Polycarbonate
Gasket	Silicone rubber
Cable Entry	Nickel brass cable gland
Dimension	Dia.170x146 mm.
Cut Out	Dia.165 mm.
Mounting	Recessed in block out made of polypropylene
Power	7W
Light Source	LED Module
Colour Temperature	3000/4000/5700K
Luminaire Output	175 lm
Beam Angle	Two-direction output
Control Gear	Separate driver
Power Supply	220-240VAC,50Hz
Insulation Class	III
IP Rating	67
Luminaire Lifetime	25,000 hrs.
Equivalent	JC 50W



Ordering Data

Model	Watt
INL602-7LED	7W

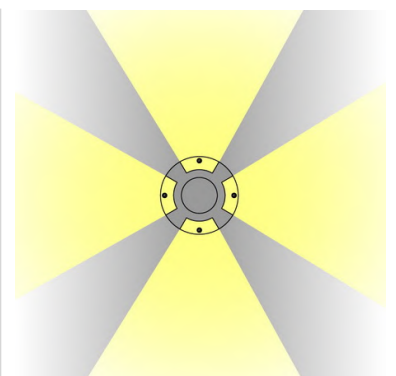
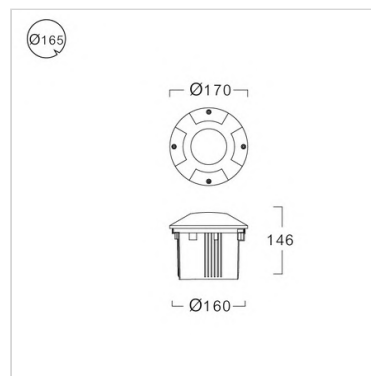
TIS INL604

Application

Inground luminaire is designed to accent or highlight trees, walls, columns, signboards, etc.

Specification

Housing	Body made of die-cast aluminium Top cover made of die-cast aluminium
Finishing	Powder coated in black
Lens	Polycarbonate
Gasket	Silicone rubber
Cable Entry	Nickel brass cable gland
Dimension	Dia.170x146 mm.
Cut Out	Dia.165 mm.
Mounting	Recessed in block out made of polypropylene
Power	7W
Light Source	LED Module
Colour Temperature	3000/4000/5700K
Luminaire Output	140 lm
Beam Angle	Four-direction output
Control Gear	Separate driver
Power Supply	220-240VAC,50Hz
Insulation Class	III
IP Rating	67
Luminaire Lifetime	25,000 hrs.
Equivalent	JC 50W



Ordering Data

Model	Watt
INL604-7LED	7W



Landscape Lighting

Border/Bollard/Wall Mount/Post Top

LED Border



TIS BDR200

Application

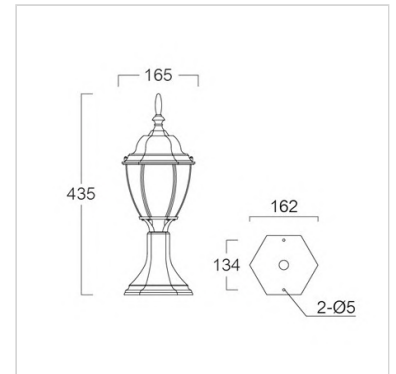
Border luminaire is designed to illuminate pathway, steps, low planted areas, pedestrian areas, etc. This luminaire is mounted on staff or wall.

Specification

Housing	Die-cast hexagonal aluminium
Finishing	Powder coated in black
Diffuser	Clear glass
Dimension	148x165x435 mm.
Mounting	Surface
Power	7W
Light Source	LED-BULB
Lamp Holder	E27
Colour Temperature	3000K
Lamp Output	630 lm
Power Supply	220VAC, 50Hz (L&E lamp) 220-240VAC, 50Hz (Other brands lamp are available as option)
Insulation Class	I
IP Rating	44
Lamp Lifetime	25,000 hrs.
Equivalent	CFL 11W

Ordering Data

Model	Watt
BDR200-E27	7W



TIS BDR210

Application

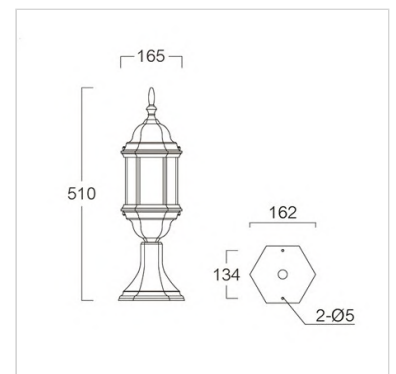
Border luminaire is designed to illuminate pathway, steps, low planted areas, pedestrian areas, etc. This luminaire is mounted on staff or wall.

Specification

Housing	Die-cast hexagonal aluminium
Finishing	Powder coated in black
Diffuser	Clear glass
Dimension	148x165x510 mm.
Mounting	Surface
Power	7W
Light Source	LED-BULB
Lamp Holder	E27
Colour Temperature	3000K
Lamp Output	630 lm
Power Supply	220VAC, 50Hz (L&E lamp) 220-240VAC, 50Hz (Other brands lamp are available as option)
Insulation Class	I
IP Rating	44
Lamp Lifetime	25,000 hrs.
Equivalent	CFL 11W

Ordering Data

Model	Watt
BDR210-E27	7W



LED Border

TIS BDR220

Application

Border luminaire is designed to illuminate pathway, steps, low planted areas, pedestrian areas, etc.

This luminaire is mounted on staff or wall.

Specification

Housing	Die-cast hexagonal aluminium
Finishing	Powder coated in black
Diffuser	Clear glass
Dimension	152x235x550 mm.
Mounting	Surface
Power	10W
Light Source	LED-BULB
Lamp Holder	E27
Colour Temperature	3000K
Lamp Output	980 lm
Power Supply	220VAC, 50Hz (L&E lamp) 220-240VAC, 50Hz (Other brands lamp are available as option)

Insulation Class I

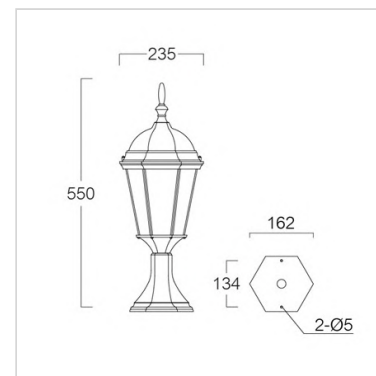
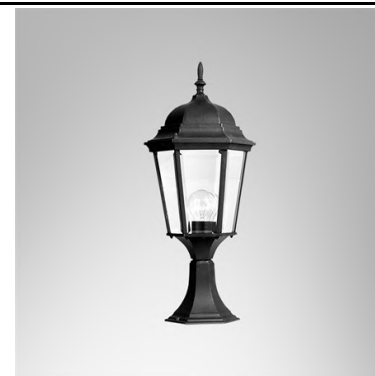
IP Rating 44

Lamp Lifetime 25,000 hrs.

Equivalent CFL 14W

Ordering Data

Model	Watt
BDR220-E27	10W



TIS BDR230

Application

Border luminaire is designed to illuminate pathway, steps, low planted areas, pedestrian areas, etc.

This luminaire is mounted on staff or wall.

Specification

Housing	Die-cast hexagonal aluminium
Finishing	Powder coated in black
Diffuser	Clear glass
Dimension	146x200x500 mm.
Mounting	Surface
Power	10W
Light Source	LED-BULB
Lamp Holder	E27
Colour Temperature	3000K
Lamp Output	980 lm
Power Supply	220VAC, 50Hz (L&E lamp) 220-240VAC, 50Hz (Other brands lamp are available as option)

Insulation Class I

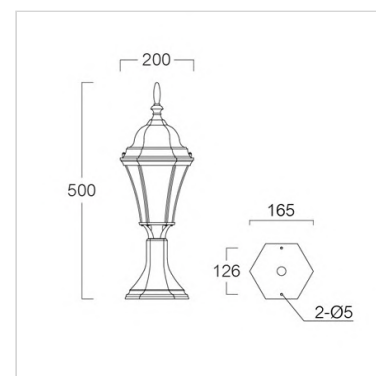
IP Rating 44

Lamp Lifetime 25,000 hrs.

Equivalent CFL 14W

Ordering Data

Model	Watt
BDR230-E27	10W



LED Border

TIS BDR608

Application

Border luminaire is designed to illuminate pathway, steps, low planted areas, pedestrian areas, etc.

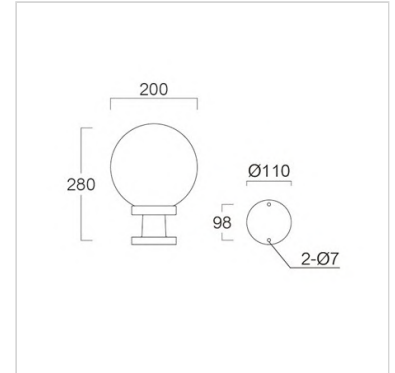
This luminaire is mounted on staff or wall.

Specification

Housing	Acrylic base
Finishing	Black color
Diffuser	Opalescent acrylic globe
Dimension	Dia. 200x280 mm.
Mounting	Surface
Power	7W
Light Source	LED-BULB
Lamp Holder	E27
Colour Temperature	3000K
Lamp Output	630 lm
Power Supply	220VAC, 50Hz (L&E lamp) 220-240VAC, 50Hz (Other brands lamp are available as option)
Insulation Class	I
IP Rating	44
Lamp Lifetime	25,000 hrs.
Equivalent	CFL 11W

Ordering Data

Model	Watt
BDR608-E27	7W



TIS BDR610

Application

Border luminaire is designed to illuminate pathway, steps, low planted areas, pedestrian areas, etc.

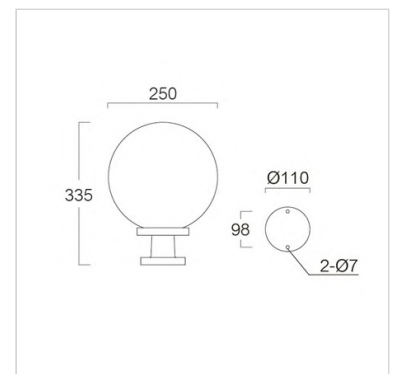
This luminaire is mounted on staff or wall.

Specification

Housing	Acrylic base
Finishing	Black color
Diffuser	Opalescent acrylic globe
Dimension	Dia. 250x335 mm.
Mounting	Surface
Power	10W
Light Source	LED-BULB
Lamp Holder	E27
Colour Temperature	3000K
Lamp Output	980 lm
Power Supply	220VAC, 50Hz (L&E lamp) 220-240VAC, 50Hz (Other brands lamp are available as option)
Insulation Class	I
IP Rating	44
Lamp Lifetime	25,000 hrs.
Equivalent	CFL 11W

Ordering Data

Model	Watt
BDR610-E27	10W



LED Border

TIS **BDR152**

Application

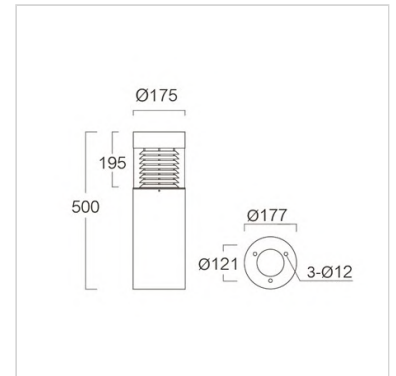
Bollard luminaire is designed to illuminate walkways, steps, low planted areas, pedestrian areas, etc.

Specification

Housing	Aluminium body
Description	Post: Extruded aluminium
Finishing	Powder coated in black
Louwer	Sandblasted aluminium
Diffuser	UV stabilized clear polycarbonate
Gasket	Silicone rubber
Dimension	Dia. 175x500 mm.
Mounting	Surface
Power	15W
Light Source	LED-BULB
Lamp Holder	E27
Colour Temperature	3000K
Lamp Output	1450 lm
Power Supply	220VAC, 50Hz (L&E lamp) 220-240VAC, 50Hz (Other brands lamp are available as option)
Insulation Class	I
IP Rating	65
Lamp Lifetime	25,000 hrs.
Equivalent	CFL 20W

Ordering Data

Model	Watt
BDR152-E27	15W



TIS **BOL152**

Application

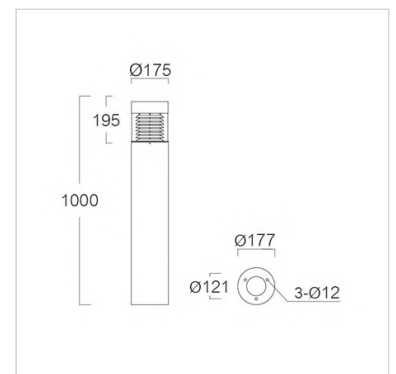
Bollard luminaire is designed to illuminate walkways, steps, low planted areas, pedestrian areas, etc.

Specification

Housing	Die-cast aluminium
Description	Post: Extruded aluminium
Finishing	Powder coated in black
Reflector	Sandblasted aluminium
Diffuser	UV stabilized clear polycarbonate
Gasket	Silicone rubber
Dimension	Dia. 175x1000 mm.
Mounting	Surface
Power	15W
Light Source	LED-BULB
Lamp Holder	E27
Colour Temperature	3000K
Lamp Output	1450 lm
Power Supply	220VAC, 50Hz (L&E lamp) 220-240VAC 50Hz (Other brands lamp are available as option)
Insulation Class	I
IP Rating	65
Lamp Lifetime	25,000 hrs.
Equivalent	CFL 20W

Ordering Data

Model	Watt
BOL152-E27/1.0M	15W



LED Border

TIS **BDR142**

Application

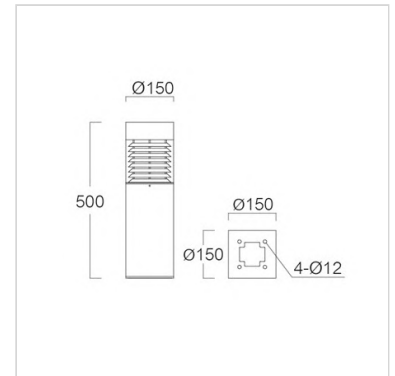
Bollard luminaire is designed to illuminate walkways, steps, low planted areas, pedestrian areas, etc.

Specification

Housing	Aluminium body
Description	Post: Extruded aluminium
Finishing	Powder coated in black
Louwer	Sandblasted aluminium
Diffuser	UV stabilized clear polycarbonate
Gasket	Silicone rubber
Dimension	150x150x500 mm.
Mounting	Surface
Power	15W
Light Source	LED-BULB
Lamp Holder	E27
Colour Temperature	3000K
Lamp Output	1450 lm
Power Supply	220VAC, 50Hz (L&E lamp) 220-240VAC, 50Hz (Other brands lamp are available as option)
Insulation Class	I
IP Rating	65
Lamp Lifetime	25,000 hrs.
Equivalent	CFL 20W

Ordering Data

Model	Watt
BDR142-E27	15W



TIS **BOL142**

Application

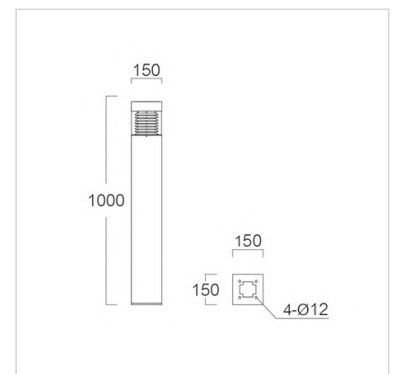
Bollard luminaire is designed to illuminate walkways, steps, low planted areas, pedestrian areas, etc.

Specification

Housing	Die-cast aluminium
Description	Post: Extruded aluminium
Finishing	Powder coated in black
Reflector	Sandblasted aluminium
Diffuser	UV stabilized clear polycarbonate
Gasket	Silicone rubber
Dimension	150x150x1000 mm.
Mounting	Surface
Power	15W
Light Source	LED-BULB
Lamp Holder	E27
Colour Temperature	3000K
Lamp Output	1450 lm
Power Supply	220VAC, 50Hz (L&E lamp) 220-240VAC, 50Hz (Other brands lamp are available as option)
Insulation Class	I
IP Rating	65
Lamp Lifetime	25,000 hrs.
Equivalent	CFL 10W

Ordering Data

Model	Watt
BOL142-E27/1.0M	15W



LED Bollard



TIS BLL225

Application

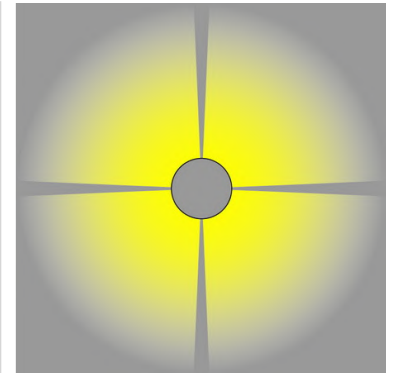
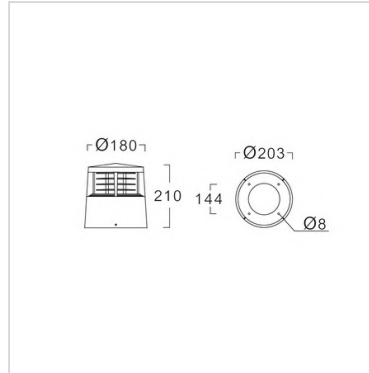
Bollard luminaire is designed to illuminate walkways, steps, low planted areas, pedestrian areas, etc.

Specification

Housing	Die-cast aluminium
Finishing	Powder coated in black
Louwer	Anodized aluminium
Lens	Clear polycarbonate
Gasket	Silicone rubber
Dimension	Dia. 180x210 mm.
Mounting	Surface
Power	7W
Light Source	LED-BULB
Colour Temperature	3000/6500K
Lamp Output	600 lm
Beam Angle	Symmetrical wide beam
Power Supply	220-240VAC, 50Hz
Insulation Class	I
IP Rating	55
Lamp Lifetime	25,000 hrs.
Equivalent	CFL 18W

Ordering Data

Model	Watt
BLL225-7LED-BULB	7W



TIS BLL232

Application

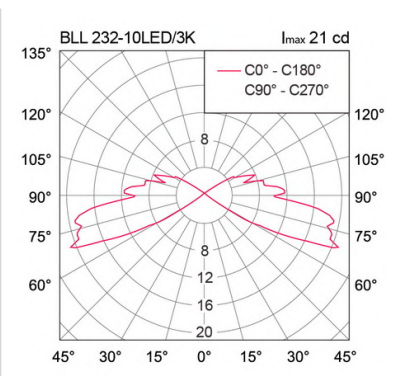
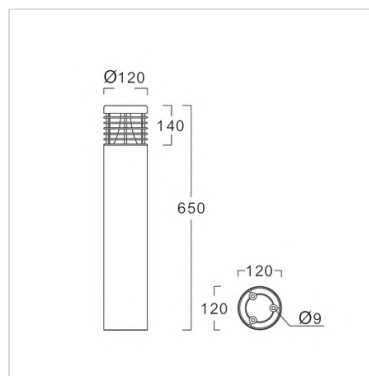
Bollard luminaire is designed to illuminate walkways, steps, low planted areas, pedestrian areas, etc.

Specification

Housing	Die-cast aluminium
Finishing	Powder coated in black
Lens	Clear polycarbonate
Gasket	Silicone rubber
Dimension	Dia. 120x650 mm.
Mounting	Surface
Power	9/10W
Light Source	9W : LED-BULB 10W : LED Module
Colour Temperature	9W : 3000/6500K 10W : 3000K
Lamp Output	9W : 810/850 lm
Luminaire Output	10W : 78 lm
Beam Angle	Symmetrical medium beam
Control Gear	Built-in driver
Power Supply	220-240VAC, 50Hz
Insulation Class	I
IP Rating	65
Lamp Lifetime	9W : 15,000 hrs.
Luminaire Lifetime	10W : 30,000 hrs.
Equivalent	CFL 18W

Ordering Data

Model	Watt
BLL232-9LED-BULB	9W
BLL232-10LED	10W



LED Bollard

TIS BLL208

Application

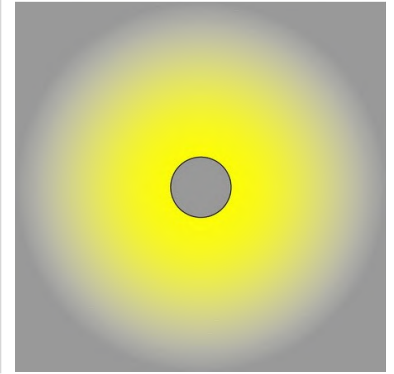
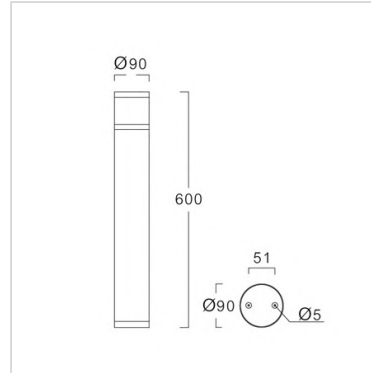
Bollard luminaire is designed to illuminate walkways, steps, low planted areas, pedestrian areas, etc.

Specification

Housing	Die-cast aluminium
Finishing	Powder coated in black
Diffuser	Opalescent Acrylic
Gasket	Silicone rubber
Dimension	Dia.90x600 mm.
Mounting	Surface
Power	7W
Light Source	LED-BULB
Colour Temperature	3000/6500K
Lamp Output	600 lm
Beam Angle	Symmetrical wide beam
Power Supply	220-240VAC,50Hz
Insulation Class	I
IP Rating	55
Lamp Lifetime	25,000 hrs.
Equivalent	CFL 18W

Ordering Data

Model	Watt
BLL208-7LED-BULB	7W



TIS BLL408

Application

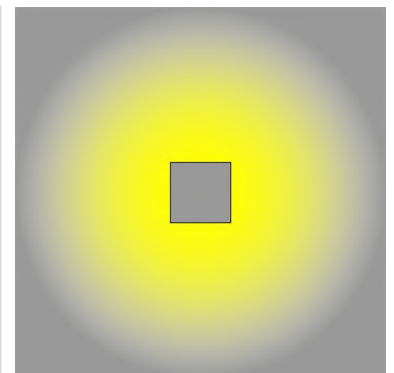
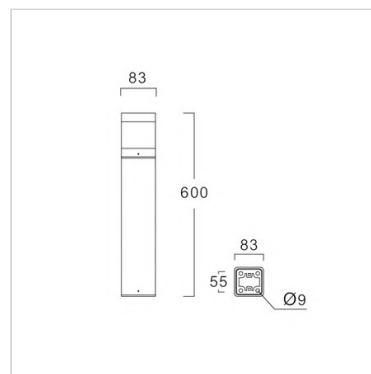
Bollard luminaire is designed to illuminate walkways, steps, low planted areas, pedestrian areas, etc.

Specification

Housing	Die-cast aluminium
Finishing	Powder coated in black
Diffuser	Opalescent Acrylic
Gasket	Silicone rubber
Dimension	83x83x600 mm.
Mounting	Surface
Power	7W
Light Source	LED-BULB
Colour Temperature	3000/6500K
Lamp Output	600 lm
Beam Angle	Symmetrical wide beam
Power Supply	220-240VAC,50Hz
Insulation Class	I
IP Rating	55
Lamp Lifetime	25,000 hrs.
Equivalent	CFL 18W

Ordering Data

Model	Watt
BLL408-7LED-BULB	7W



LED Bollard

TIS BLL101

Application

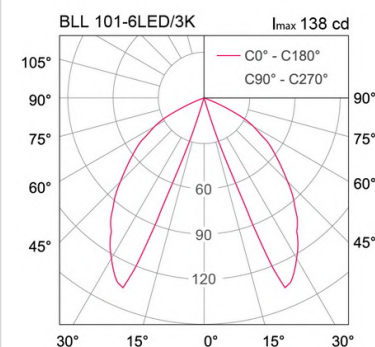
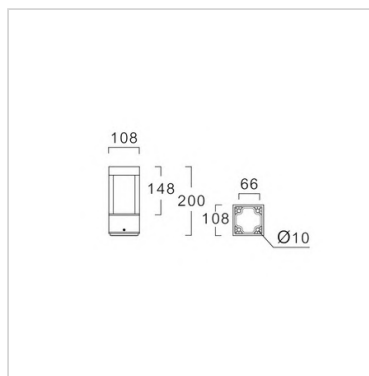
Bollard luminaire is designed to illuminate walkways, steps, low planted areas, pedestrian areas, etc.

Specification

Housing	Die-cast aluminium
Finishing	Powder coated in black
Lens	Opalescent polycarbonate
Gasket	Silicone rubber
Dimension	108x108x200 mm.
Mounting	Surface
Power	6W
Light Source	LED-COB
Colour Temperature	3000K
Luminaire Output	150 lm
Beam Angle	Symmetrical medium beam
Control Gear	Built-in driver
Power Supply	220-240VAC, 50Hz
Insulation Class	I
IP Rating	55
Luminaire Lifetime	30,000 hrs.
Equivalent	JC 20W

Ordering Data

Model	Watt
BLL101-6LED	6W



TIS BLL100

Application

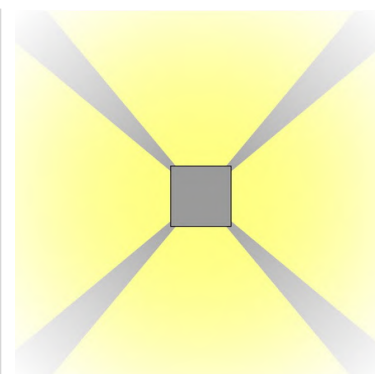
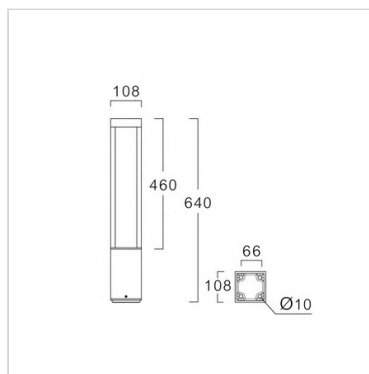
Bollard luminaire is designed to illuminate walkways, steps, low planted areas, pedestrian areas, etc.

Specification

Housing	Die-cast aluminium
Finishing	Powder coated in black
Lens	Opalescent polycarbonate
Gasket	Silicone rubber
Dimension	108x108x640 mm.
Mounting	Surface
Power	6W
Light Source	LED-COB
Colour Temperature	3000K
Luminaire Output	150 lm
Beam Angle	Symmetrical medium beam
Control Gear	Built-in driver
Power Supply	220-240VAC, 50Hz
Insulation Class	I
IP Rating	55
Luminaire Lifetime	30,000 hrs.
Equivalent	JC 20W

Ordering Data

Model	Watt
BLL100-6LED	6W



LED Bollard



TIS **BLL102**

Application

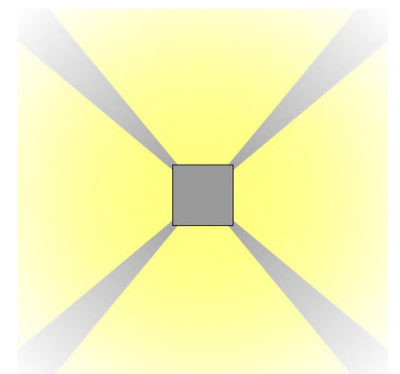
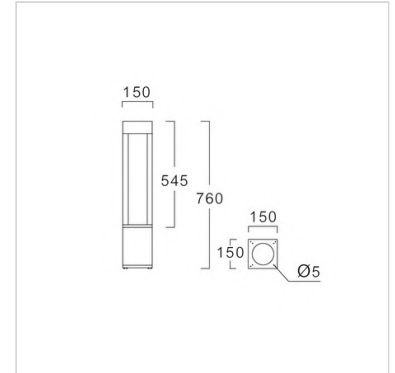
Bollard luminaire is designed to illuminate walkways, steps, low planted areas, pedestrian areas, etc.

Specification

Housing	Die-cast aluminium
Finishing	Powder coated in black
Reflector	Anodized aluminium
Lens	Frosted glass
Gasket	Silicone rubber
Dimension	150x150x760 mm.
Mounting	Surface
Power	17W
Light Source	LED-COB
Colour Temperature	3000K
Beam Angle	Symmetrical medium beam
Control Gear	Built-in driver
Power Supply	220-240VAC, 50Hz
Insulation Class	I
IP Rating	55
Luminaire Lifetime	50,000 hrs.
Equivalent	MH 35W

Ordering Data

Model	Watt
BLL102-17LED	17W



LED Bollard

TIS BLL111

Application

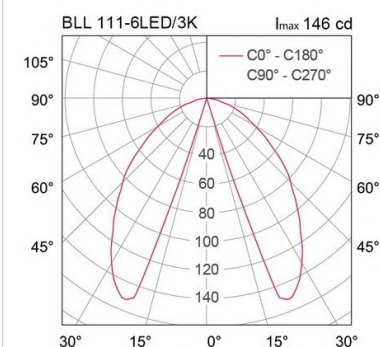
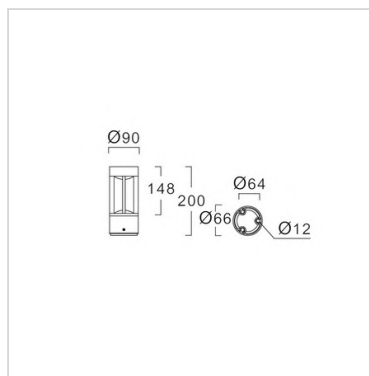
Bollard luminaire is designed to illuminate walkways, steps, low planted areas, pedestrian areas, etc.

Specification

Housing	Die-cast aluminium
Finishing	Powder coated in black
Lens	Opalescent polycarbonate
Gasket	Silicone rubber
Dimension	Dia.90x200 mm.
Mounting	Surface
Power	6W
Light Source	LED-COB
Colour Temperature	3000K
Luminaire Output	140 lm
Beam Angle	Symmetrical medium beam
Control Gear	Built-in driver
Power Supply	220-240VAC, 50Hz
Insulation Class	I
IP Rating	55
Luminaire Lifetime	30,000 hrs.
Equivalent	JC 20W

Ordering Data

Model	Watt
BLL111-6LED	6W



TIS BLL110

Application

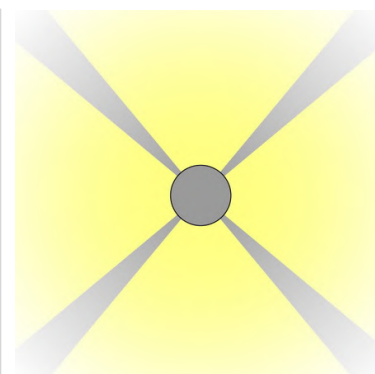
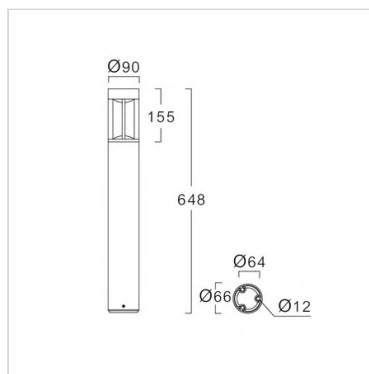
Bollard luminaire is designed to illuminate walkways, steps, low planted areas, pedestrian areas, etc.

Specification

Housing	Die-cast aluminium
Finishing	Powder coated in black
Lens	Opalescent polycarbonate
Gasket	Silicone rubber
Dimension	Dia.90x648 mm.
Mounting	Surface
Power	6W
Light Source	LED-COB
Colour Temperature	3000K
Luminaire Output	140 lm
Beam Angle	Symmetrical medium beam
Control Gear	Built-in driver
Power Supply	220-240VAC, 50Hz
Insulation Class	I
IP Rating	55
Luminaire Lifetime	30,000 hrs.
Equivalent	JC 20W

Ordering Data

Model	Watt
BLL110-6LED	6W



LED Bollard



TIS BLL113

Application

Bollard luminaire is designed to illuminate walkways, steps, low planted areas, pedestrian areas, etc.

Specification

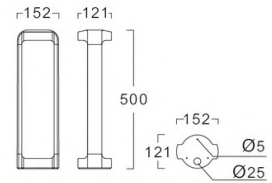
Housing	Die-cast aluminium
Finishing	Powder coated in black
Lens	Clear polycarbonate
Gasket	Silicone rubber
Dimension	BLL113-0.5M : 152x121x500 mm. BLL113-0.8M : 152x121x800 mm.
Mounting	Surface
Power	13W
Light Source	LED-COB
Colour Temperature	3000K
Beam Angle	Symmetrical medium beam
Control Gear	Built-in driver
Power Supply	220-240VAC, 50Hz
Insulation Class	I
IP Rating	65
Luminaire Lifetime	30,000 hrs.
Equivalent	MH 20W

Ordering Data

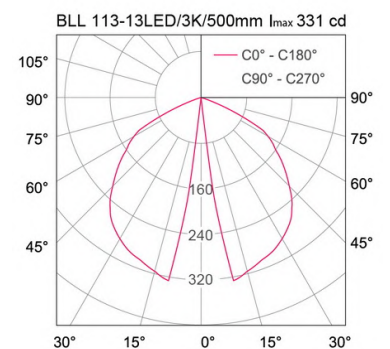
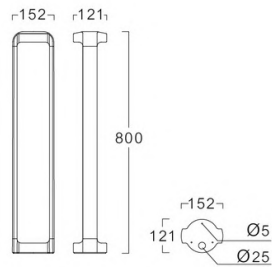
Model	Watt
BLL113-13LED-0.5M	13W
BLL113-13LED-0.8M	13W



BLL113-0.5M



BLL113-0.8M



LED Bollard

TIS **BLL222**

Application

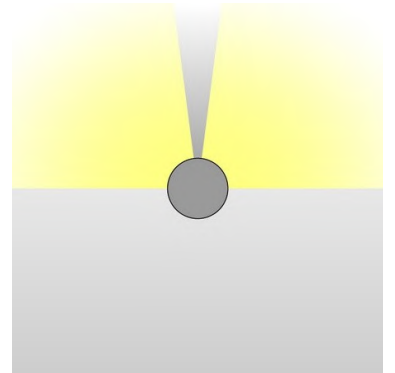
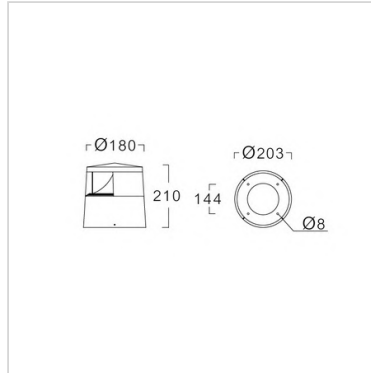
Bollard luminaire is designed to illuminate walkways, steps, low planted areas, pedestrian areas, etc.

Specification

Housing	Die-cast aluminium
Finishing	Powder coated in black
Reflector	Anodized aluminium
Lens	Clear polycarbonate
Gasket	Silicone rubber
Dimension	Dia.180x210 mm.
Mounting	Surface
Power	10W
Light Source	LED-COB
Colour Temperature	3000K
Luminaire Output	190 lm
Beam Angle	Asymmetrical wide beam
Control Gear	Built-in driver
Power Supply	220-240VAC,50Hz
Insulation Class	I
IP Rating	55
Luminaire Lifetime	50,000 hrs.
Equivalent	CFL 18W

Ordering Data

Model	Watt
BLL222-10LED	10W



TIS **BLL224**

Application

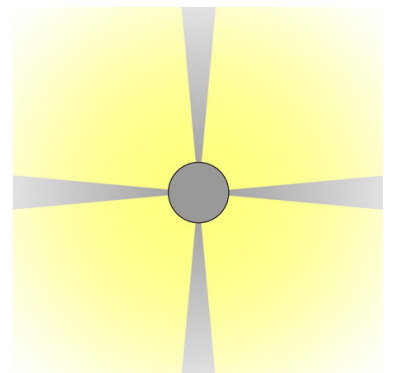
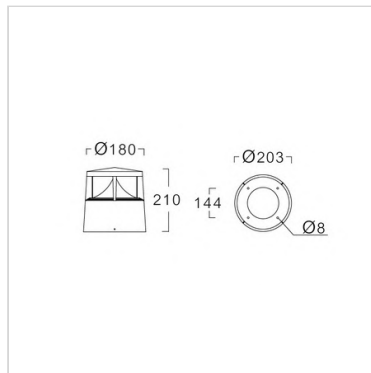
Bollard luminaire is designed to illuminate walkways, steps, low planted areas, pedestrian areas, etc.

Specification

Housing	Die-cast aluminium
Finishing	Powder coated in black
Reflector	Anodized aluminium
Lens	Clear polycarbonate
Gasket	Silicone rubber
Dimension	Dia.180x210 mm.
Mounting	Surface
Power	10W
Light Source	LED-COB
Colour Temperature	3000K
Luminaire Output	360 lm
Beam Angle	Symmetrical wide beam
Control Gear	Built-in driver
Power Supply	220-240VAC,50Hz
Insulation Class	I
IP Rating	55
Luminaire Lifetime	50,000 hrs.
Equivalent	CFL 18W

Ordering Data

Model	Watt
BLL224-10LED	10W



LED Bollard



TIS BLL230

Application

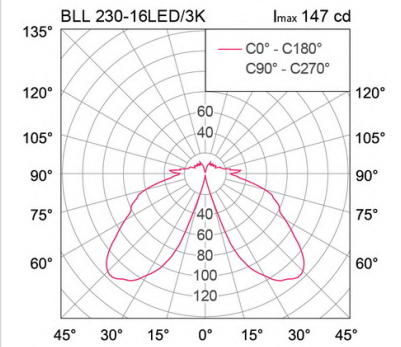
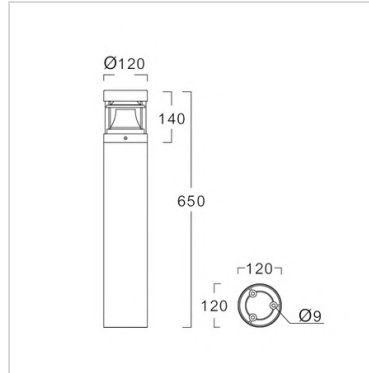
Bollard luminaire is designed to illuminate walkways, steps, low planted areas, pedestrian areas, etc.

Specification

Housing	Die-cast aluminium
Finishing	Powder coated in black
Louwer	Anodized aluminium
Lens	Clear polycarbonate
Gasket	Silicone rubber
Dimension	Dia. 120x650 mm.
Mounting	Surface
Power	16W
Light Source	LED-COB
Colour Temperature	3000K
Luminaire Output	540 lm
Beam Angle	Symmetrical medium beam
Control Gear	Built-in driver
Power Supply	220-240VAC, 50Hz
Insulation Class	I
IP Rating	55
Luminaire Lifetime	50,000 hrs.
Equivalent	CFL 2x18W

Ordering Data

Model	Watt
BLL230-16LED	16W



TIS BLL240

Application

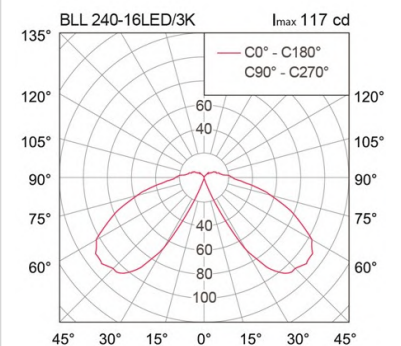
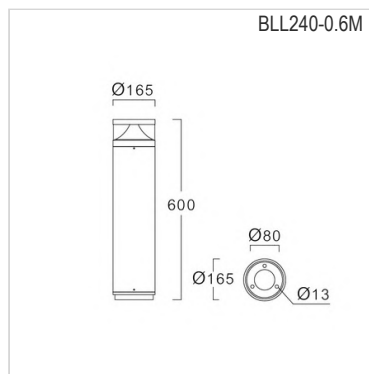
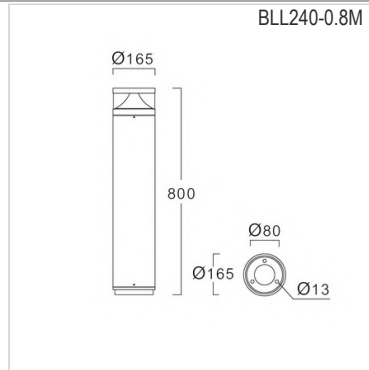
Bollard luminaire is designed to illuminate walkways, steps, low planted areas, pedestrian areas, etc.

Specification

Housing	Die-cast aluminium
Finishing	Powder coated in black
Reflector	Anodized aluminium
Lens	Clear acrylic
Gasket	Silicone rubber
Dimension	BLL240-0.6M : Dia. 165x600 mm. BLL240-0.8M : Dia. 165x800 mm.
Mounting	Surface
Power	16W
Light Source	LED Module
Colour Temperature	3000/4000K
Luminaire Output	510 lm
Beam Angle	Symmetrical wide beam
Control Gear	Built-in driver
Power Supply	220-240VAC, 50Hz
Insulation Class	I
IP Rating	55
Luminaire Lifetime	50,000 hrs.
Equivalent	CFL 2x18W

Ordering Data

Model	Watt
BLL240-16LED-0.6M	16W
BLL240-16LED-0.8M	16W



LED Bollard



TIS BLL903

Application

Bollard luminaire is designed to illuminate walkways, steps, low planted areas, pedestrian areas, etc.

Specification

Housing	Die-cast aluminium
Finishing	Powder coated in black
Lens	Polycarbonate
Gasket	Silicone rubber
Dimension	Dia. 180x260/600/900 mm.
Mounting	Surface
Power	BLL903-0.26M : 6W BLL903-0.6M : 10/15/24W BLL903-0.9M : 10/15/24W

Light Source

LED Module

Colour Temperature

3000/4000/5700K

Luminaire Output

6W : 520 lm (S), 380 lm (A)
10W : 760 lm (S), 630 lm (A)
15W : 1110 lm (S), 880 lm (A)
24W : 1770 lm (S)

Beam Angle

Symmetrical (S)
Asymmetrical (A)

Control Gear

Built-in driver

Power Supply

220-240VAC, 50Hz

Insulation Class

I

IP Rating

66

Luminaire Lifetime

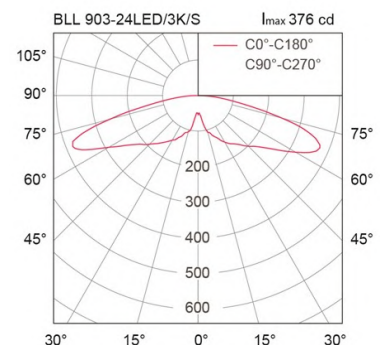
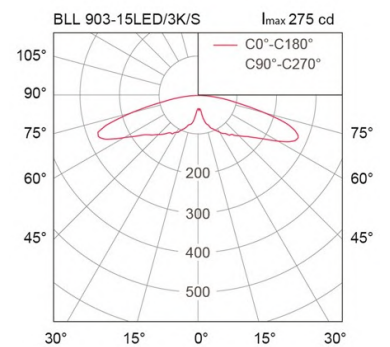
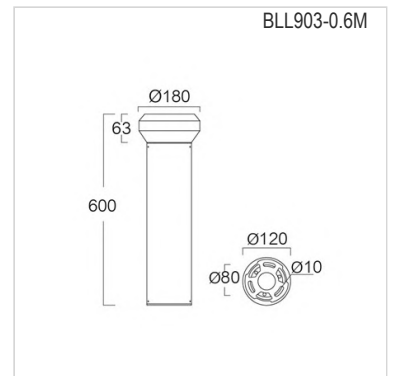
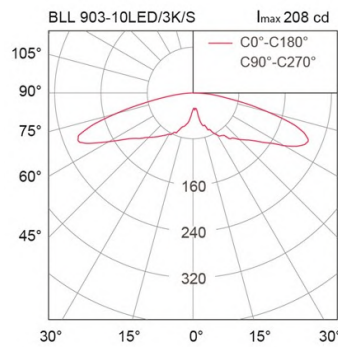
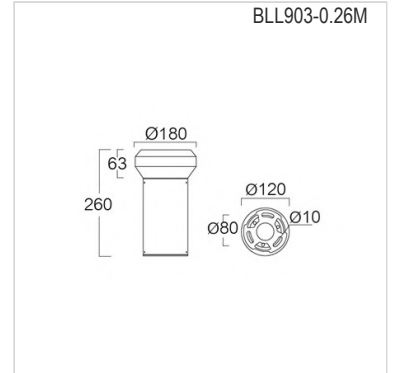
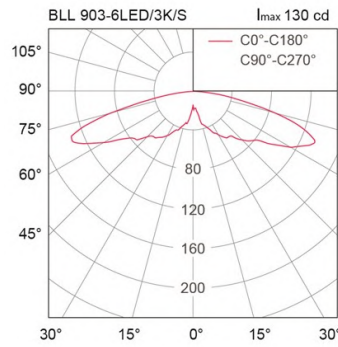
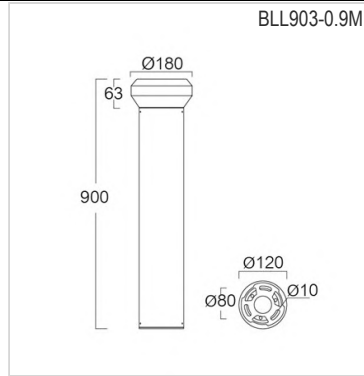
50,000 hrs.

Equivalent

6W : CFL 13W
10W : CFL 18W
15W : CFL 2x18W
24W : MH 35W

Ordering Data

Model	Watt
BLL903-6LED-0.26M	6W
BLL903-10LED-0.6M	10W
BLL903-10LED-0.9M	10W
BLL903-15LED-0.6M	15W
BLL903-15LED-0.9M	15W
BLL903-24LED-0.6M	24W
BLL903-24LED-0.9M	24W



LED Bollard



TIS **BLL401**

Application

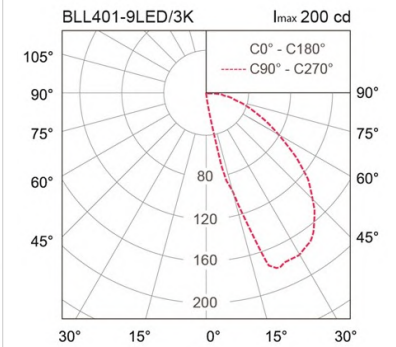
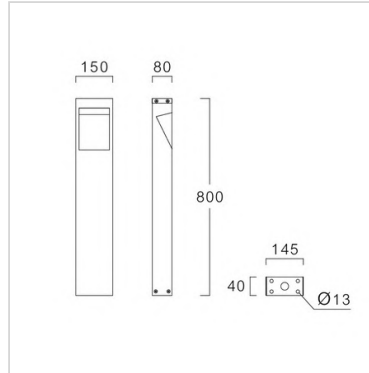
Bollard luminaire is designed to illuminate walkways, steps, low planted areas, pedestrian areas, etc.

Specification

Housing	Die-cast aluminium
Finishing	Powder coated in black
Lens	Frosted glass
Gasket	Silicone rubber
Dimension	150x80x800 mm.
Mounting	Surface
Power	9W
Light Source	LED Module
Colour Temperature	3000K
Luminaire Output	170 lm
Beam Angle	Asymmetrical wide beam
Control Gear	Built-in driver
Power Supply	220-240VAC, 50Hz
Insulation Class	I
IP Rating	55
Luminaire Lifetime	30,000 hrs.
Equivalent	CFL 18W

Ordering Data

Model	Watt
BLL401-9LED	9W



TIS **BLL402**

Application

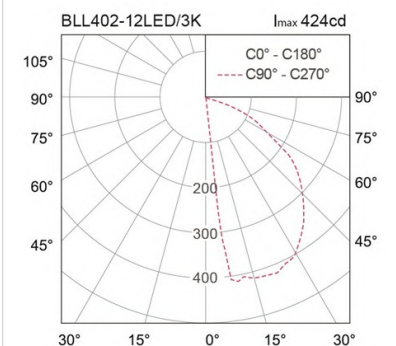
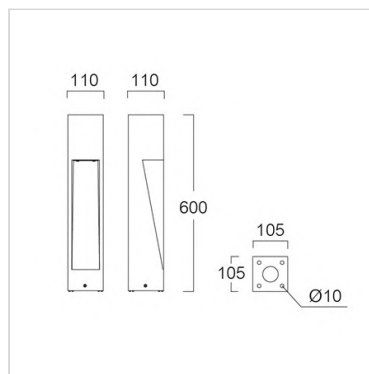
Bollard luminaire is designed to illuminate walkways, steps, low planted areas, pedestrian areas, etc.

Specification

Housing	Die-cast aluminium
Finishing	Powder coated in black
Lens	Clear glass
Gasket	Silicone rubber
Dimension	110x110x600 mm.
Mounting	Surface
Power	12W
Light Source	LED-COB
Colour Temperature	3000K
Luminaire Output	240 lm
Beam Angle	Asymmetrical wide beam
Control Gear	Built-in driver
Power Supply	220-240VAC, 50Hz
Insulation Class	I
IP Rating	65
Luminaire Lifetime	50,000 hrs.
Equivalent	MH 20W

Ordering Data

Model	Watt
BLL402-12LED	12W



LED Bollard



TIS BLL404

Application

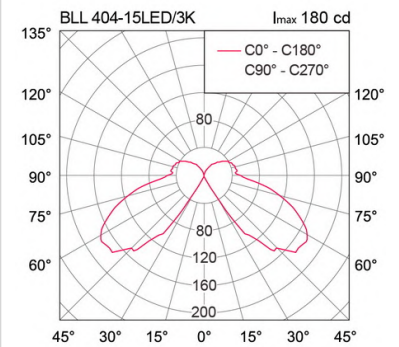
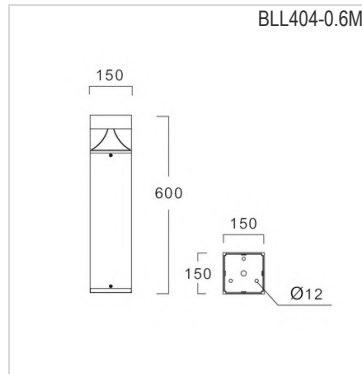
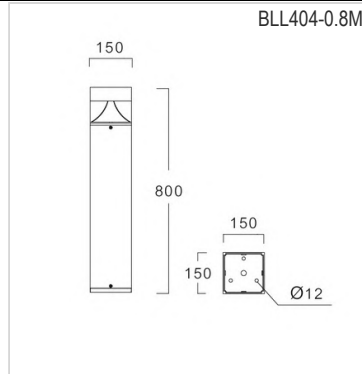
Bollard luminaire is designed to illuminate walkways, steps, low planted areas, pedestrian areas, etc.

Specification

Housing	Die-cast aluminium
Finishing	Powder coated in black
Reflector	White polycarbonate
Lens	Clear acrylic
Gasket	Silicone rubber
Dimension	BLL404-0.6M : 150x150x600 mm. BLL404-0.8M : 150x150x800 mm.
Mounting	Surface
Power	15W
Light Source	LED Module
Colour Temperature	3000/4000K
Luminaire Output	880 lm
Beam Angle	Symmetrical wide beam
Control Gear	Built-in driver
Power Supply	220-240VAC, 50Hz
Insulation Class	I
IP Rating	55
Luminaire Lifetime	30,000 hrs.
Equivalent	CFL 2x18W

Ordering Data

Model	Watt
BLL404-15LED-0.6M	15W
BLL404-15LED-0.8M	15W



TIS BLL415

Application

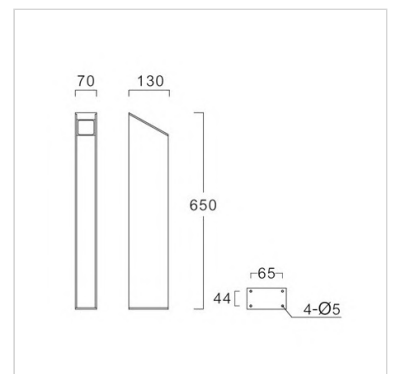
Bollard luminaire is designed to illuminate walkways, steps, low planted areas, pedestrian areas, etc.

Specification

Housing	Die-cast aluminium
Finishing	Powder coated in black
Lens	Frosted glass
Gasket	Silicone rubber
Dimension	70x130x650 mm.
Mounting	Surface
Power	9W
Light Source	LED Module
Colour Temperature	3000K
Luminaire Output	220 lm
Beam Angle	Symmetrical medium beam
Control Gear	Built-in driver
Power Supply	220-240VAC 50Hz
Insulation Class	I
IP Rating	55
Luminaire Lifetime	30,000 hrs.
Equivalent	CFL 18W

Ordering Data

Model	Watt
BLL415-9LED	9W



LED Bollard

TIS **BLL202**

Application

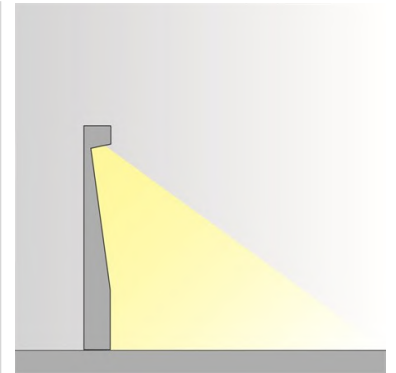
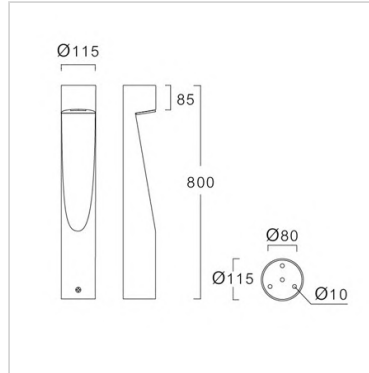
Bollard luminaire is designed to illuminate walkways, steps, low planted areas, pedestrian areas, etc.

Specification

Housing	Die-cast aluminium
Finishing	Powder coated in black
Lens	Clear toughened glass
Dimension	Dia. 115x800 mm.
Mounting	Surface
Power	10W
Light Source	LED-COB
Colour Temperature	3000K
Beam Angle	Asymmetrical medium beam
Control Gear	Built-in driver
Power Supply	220-240VAC, 50Hz
Insulation Class	I
IP Rating	65
Luminaire Lifetime	30,000 hrs.
Equivalent	CFL 18W

Ordering Data

Model	Watt
BLL202-10LED	10W



TIS **BLL400**

Application

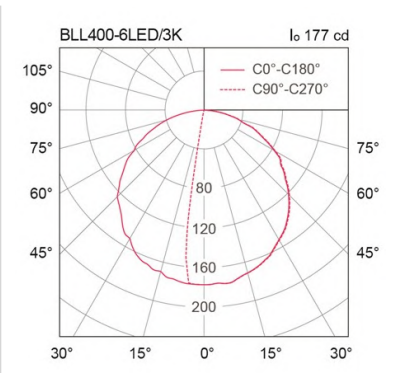
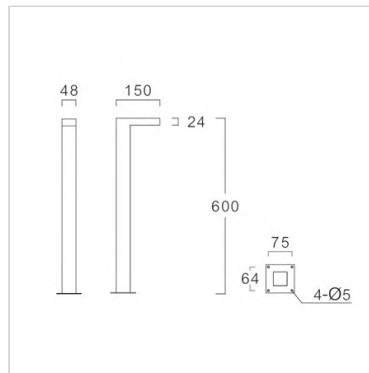
Bollard luminaire is designed to illuminate walkways, steps, low planted areas, pedestrian areas, etc.

Specification

Housing	Die-cast aluminium
Finishing	Powder coated in black
Lens	Opalescent acrylic
Dimension	48x150x600 mm.
Mounting	Surface
Power	6W
Light Source	LED Module
Colour Temperature	3000K
Luminaire Output	330 lm
Beam Angle	Symmetrical medium beam
Control Gear	Built-in driver
Power Supply	220-240VAC, 50Hz
Insulation Class	I
IP Rating	55
Luminaire Lifetime	30,000 hrs.
Equivalent	JC 20W

Ordering Data

Model	Watt
BLL400-6LED	6W



LED Bollard



TIS **BLL209**

Application

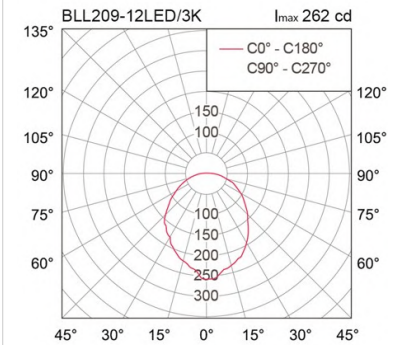
Bollard luminaire is designed to illuminate walkways, steps, low planted areas, pedestrian areas, etc.

Specification

Housing	Die-cast aluminium
Finishing	Powder coated in black
Lens	Opalescent polycarbonate
Gasket	Silicone rubber
Dimension	Dia. 150x660 mm.
Mounting	Ground spike
Power	12W
Light Source	LED Module
Colour Temperature	3000K
Luminaire Output	700 lm
Control Gear	Separate switching power supply
Power Supply	220-240VAC, 50Hz
Insulation Class	III
IP Rating	65
Luminaire Lifetime	50,000 hrs.
Equivalent	CFL 18W

Ordering Data

Model	Watt
BLL209-12LED	12W



TIS **BLL103**

Application

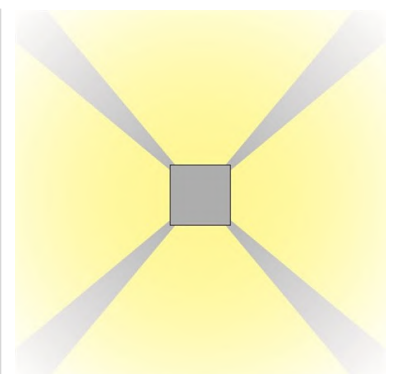
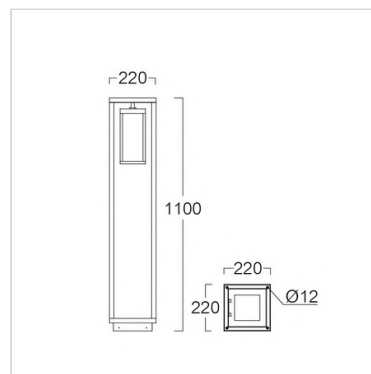
Bollard luminaire is designed to illuminate walkways, steps, low planted areas, pedestrian areas, etc.

Specification

Housing	Die-cast aluminium
Finishing	Powder coated in black
Lens	Clear toughened glass
Gasket	Silicone rubber
Dimension	220x220x1100 mm.
Mounting	Surface
Power	10W
Light Source	LED Module
Colour Temperature	3000K
Beam Angle	Symmetrical wide beam
Control Gear	Built-in driver
Power Supply	220-240VAC, 50Hz
Insulation Class	I
IP Rating	55
Luminaire Lifetime	30,000 hrs.
Equivalent	CFL 18W

Ordering Data

Model	Watt
BLL103-10LED	10W



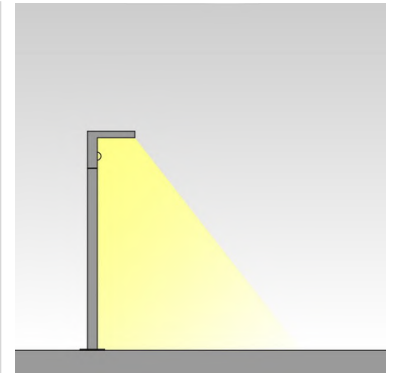
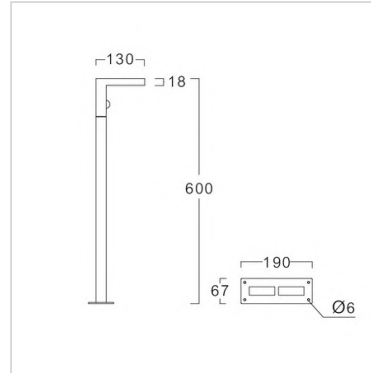
LED Solar Border/Bollard



TIS BLL802

Specification

Housing	Die-cast aluminium
Description	Off-grid system (Powered by battery back-up only). 10 hrs. back-up time maximum 15% light output after sunset 100% light output when movement detected 15% light output when no movement
Finishing	Powder coated in black
Charger	Fully automatic solid stage with constant voltage and limit current charging
Solar Cell	Poly-crystalline silicon
Battery	Lithium ion, 3.7V 2200mAh
Lens	Opalescent polycarbonate
Gasket	Silicone rubber
Sensor	Movement detector
Dimension	150x130x600 mm.
Mounting	Surface
Power	3W
Light Source	LED Module
Colour Temperature	3000K
Beam Angle	Symmetrical medium beam
Control Gear	Built-in driver
Power Supply	-
IP Rating	55
Luminaire Lifetime	30,000 hrs.
Equivalent	CFL 9W



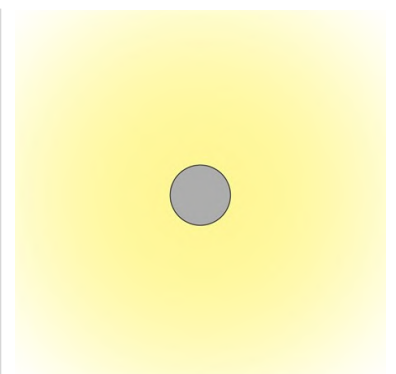
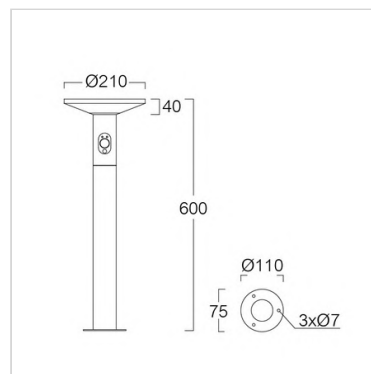
Ordering Data

Model	Watt
BLL802-3LED	3W

TIS BLL803

Specification

Housing	Die-cast aluminium
Description	Off-grid system (Powered by battery back-up only). 10 hrs. back-up time maximum. 15% light output after sunset 100% light output when movement detected 15% light output when no movement detect
Finishing	Powder coated in black
Charger	Fully automatic solid stage with constant voltage and limit current charging
Solar Cell	Polycrystalline silicon
Battery	Lithium ion, 3.7V 2200mAh
Lens	Opalescent polycarbonate
Gasket	Silicone rubber
Sensor	Movement detector
Dimension	Dia.210x600 mm.
Mounting	Surface
Power	3W
Light Source	LED Module
Colour Temperature	3000K
Luminaire Output	150 lm
Beam Angle	Symmetrical medium beam
Control Gear	Built-in driver
Power Supply	-
IP Rating	55
Luminaire Lifetime	30,000 hrs.
Equivalent	CFL 9W



Ordering Data

Model	Watt
BLL803-3LED	3W

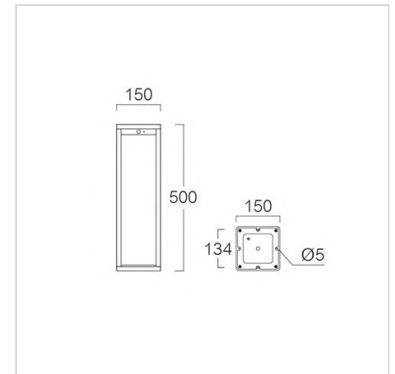
LED Solar Border/Bollard



 TIS **BLL809**

Specification

Housing	Die-cast aluminium
Description	Off-grid system (Powered by battery back-up only). 8 hrs. back-up time maximum 15% light output after sunset 100% light output when movement detected 15% light output when no movement
Finishing	Powder coated in black
Charger	Fully automatic solid stage with constant voltage and limit current charging
Solar Cell	Mono-crystalline silicon
Battery	Lithium ion, 3.7V 2200mAh
Gasket	Silicone rubber
Sensor	Movement detector
Dimension	150x150x500 mm.
Mounting	Surface
Power	2W
Light Source	LED Module
Colour Temperature	3000K
Luminaire Output	240 lm
Beam Angle	Symmetrical wide beam
Control Gear	Built-in driver
IP Rating	55
Luminaire Lifetime	30,000 hrs.
Equivalent	CFL 7W



Ordering Data

Model	Watt
BLL809-2LED	2W

LED Wall Mount (Outdoor)

STL101

Application

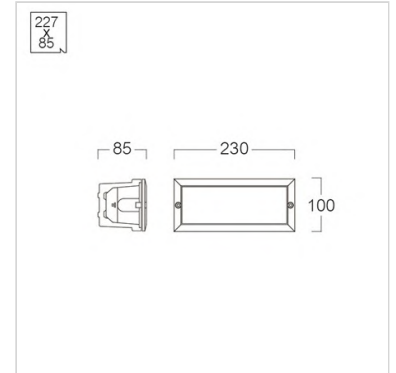
Wall mount luminaire is designed to use for outdoor applications such as walkways, wall illumination, safety applications, etc.

Specification

Housing	Die-cast aluminium
Finishing	Powder coated in black
Diffuser	Frosted toughened safety glass
Gasket	Silicone rubber
Dimension	100x230x85 mm.
Mounting	Recessed
Power	7W
Light Source	LED-BULB
Lamp Holder	E27
Colour Temperature	3000K
Lamp Output	630 lm
Power Supply	220VAC,50Hz (L&E lamp) 220-240VAC,50Hz (Other brands lamp are available as option)
Insulation Class	I
IP Rating	55
Lamp Lifetime	25,000 hrs.
Equivalent	CFL 11W

Ordering Data

Model	Watt
STL101-E27	7W



STL102

Application

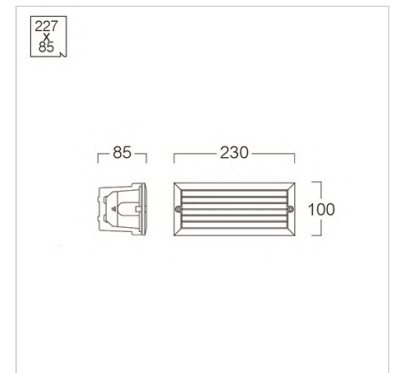
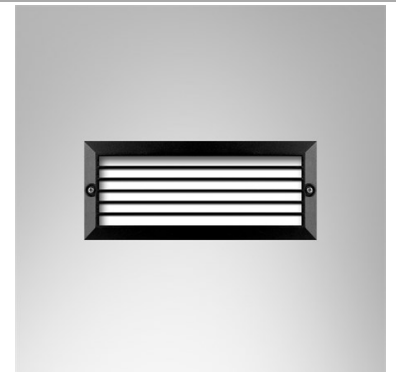
Wall mount luminaire is designed to use for outdoor applications such as walkways, wall illumination, safety applications, etc.

Specification

Housing	Die-cast aluminium
Finishing	Powder coated in black
Diffuser	Frosted toughened safety glass
Gasket	Silicone rubber
Dimension	100x230x85 mm.
Mounting	Recessed
Power	7W
Light Source	LED-BULB
Lamp Holder	E27
Colour Temperature	3000K
Lamp Output	630 lm
Power Supply	220VAC,50Hz (L&E lamp) 220-240VAC,50Hz (Other brands lamp are available as option)
Insulation Class	I
IP Rating	55
Lamp Lifetime	25,000 hrs.
Equivalent	CFL 11W

Ordering Data

Model	Watt
STL102-E27	7W



LED Wall Mount (Outdoor)



 TIS **STLL405**

Application

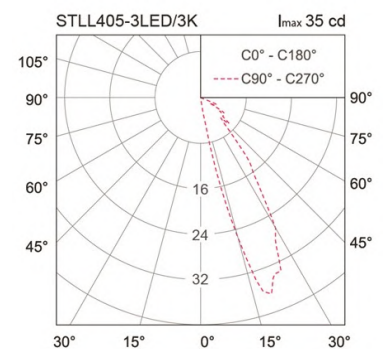
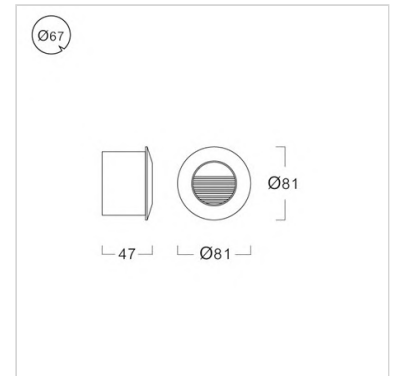
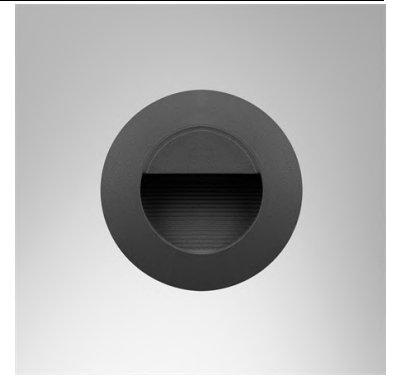
Wall mount luminaire is designed to use for outdoor applications such as walkways, wall illumination, safety applications, etc.

Specification

Housing	Die-cast aluminium
Finishing	Powder coated in black
Lens	Frosted glass
Gasket	Silicone rubber
Dimension	81x81x47 mm.
Cut Out	Dia.67x65 mm.
Mounting	Recessed in block out made of polypropylene
Power	3W
Light Source	LED Module
Colour Temperature	3000K
Luminaire Output	30 lm
Beam Angle	Asymmetrical wide beam
Control Gear	Built-in driver
Power Supply	220-240VAC,50Hz
Insulation Class	I
IP Rating	65
Luminaire Lifetime	30,000 hrs.
Equivalent	JC 20W

Ordering Data

Model	Watt
STLL405-3LED	3W



LED Wall Mount (Outdoor)



STLL402

Application

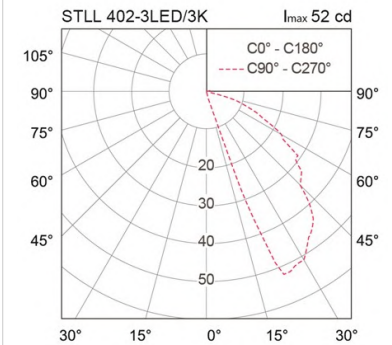
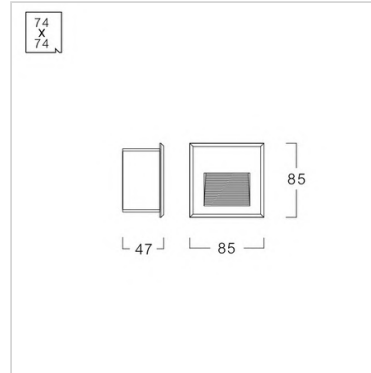
Wall mount luminaire is designed to use for outdoor applications such as walkways, wall illumination, safety applications, etc.

Specification

Housing	Die-cast aluminium
Finishing	Powder coated in black
Lens	Frosted glass
Gasket	Silicone rubber
Dimension	85x85x47 mm.
Cut Out	74x74x65 mm.
Mounting	Recessed in block out made of polypropylene
Power	3W
Light Source	LED Module
Colour Temperature	3000K
Luminaire Output	40 lm
Beam Angle	Asymmetrical wide beam
Control Gear	Built-in driver
Power Supply	220-240VAC, 50Hz
Insulation Class	I
IP Rating	65
Luminaire Lifetime	30,000 hrs.
Equivalent	JC 20W

Ordering Data

Model	Watt
STLL402-3LED	3W



STLL408

Application

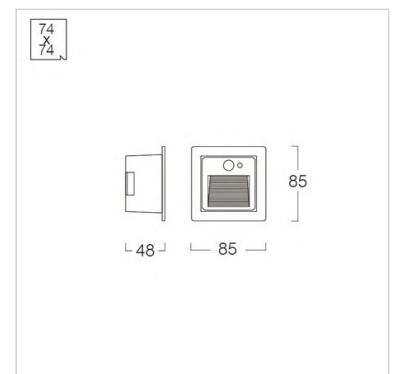
Wall mount luminaire is designed to use for outdoor applications such as walkways, wall illumination, safety applications, etc.

Specification

Housing	Die-cast aluminium
Finishing	Powder coated in black
Lens	Opal polycarbonate
Gasket	Silicone rubber
Sensor	Movement detector
Dimension	85x85x48 mm.
Cut Out	74x74x65 mm.
Mounting	Recessed in block out made of polypropylene
Power	3W
Light Source	LED Module
Colour Temperature	3000K
Luminaire Output	40 lm
Beam Angle	Asymmetrical wide beam
Control Gear	Built-in driver
Power Supply	220-240VAC, 50Hz
Insulation Class	I
IP Rating	65
Luminaire Lifetime	30,000 hrs.
Equivalent	JC 20W

Ordering Data

Model	Watt
STLL408-3LED	3W



LED Wall Mount (Outdoor)



TIS WLL170

Application

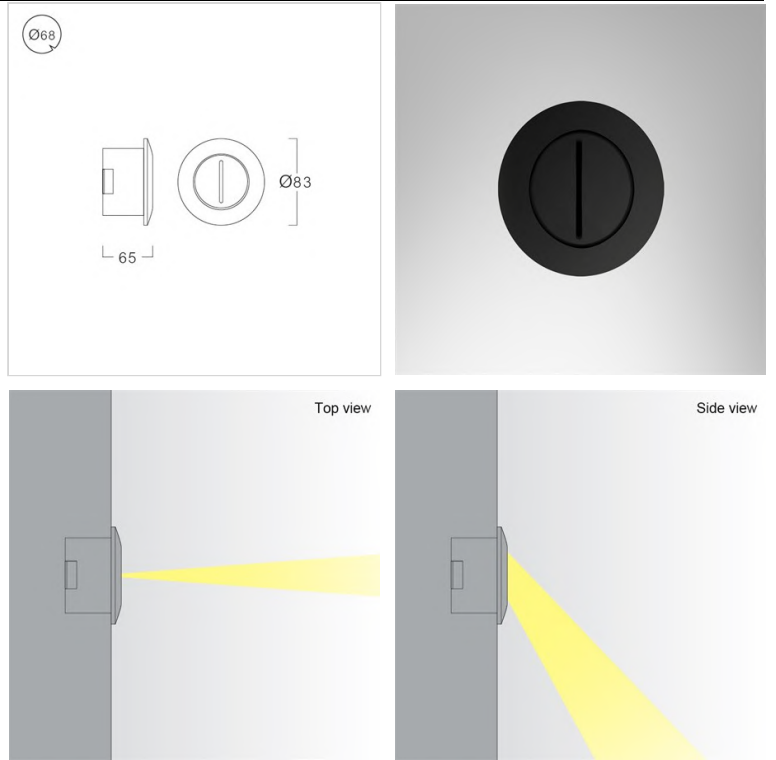
Wall mount luminaire is designed to use for outdoor applications such as walkways, wall illumination, safety applications, etc.

Specification

Housing	Die-cast aluminium
Finishing	Powder coated in black
Lens	Clear acrylic
Gasket	Silicone rubber
Dimension	83x83x65 mm.
Cut Out	68x68x80 mm.
Mounting	Recessed in block out made of polypropylene
Power	3W
Light Source	LED Module
Colour Temperature	3000K
Beam Angle	Asymmetrical wide beam
Control Gear	Built-in driver
Power Supply	220-240VAC, 50Hz
Insulation Class	I
IP Rating	55
Luminaire Lifetime	30,000 hrs.
Equivalent	JC 20W

Ordering Data

Model	Watt
WLL170-3LED	3W



TIS WLL173

Application

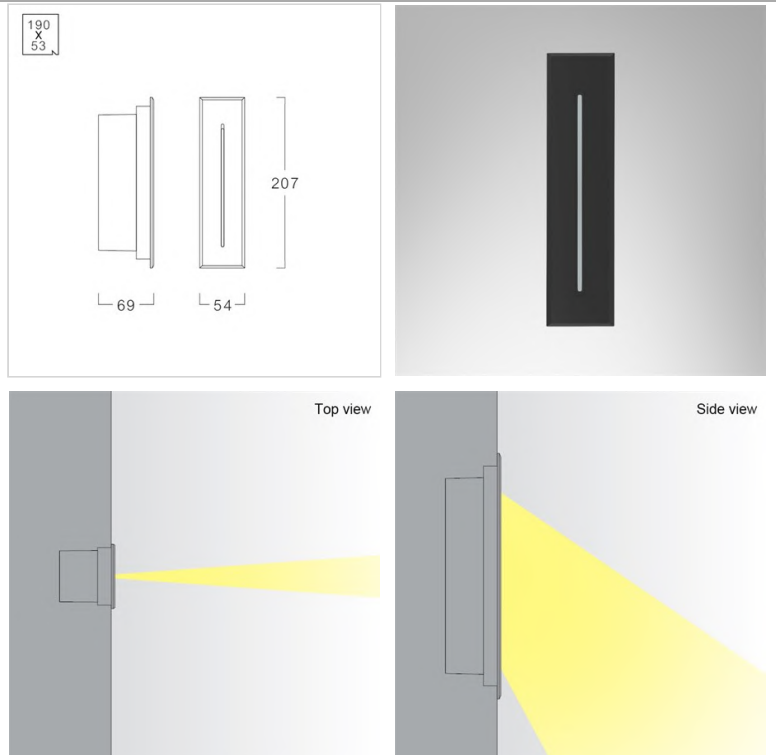
Wall mount luminaire is designed to use for outdoor applications such as walkways, wall illumination, safety applications, etc.

Specification

Housing	Die-cast aluminium
Finishing	Powder coated in black
Lens	Clear acrylic
Gasket	Silicone rubber
Dimension	54x207x69 mm.
Cut Out	53x190x84 mm.
Mounting	Recessed in block out made of polypropylene
Power	4W
Light Source	LED Module
Colour Temperature	3000K
Beam Angle	Asymmetrical wide beam
Control Gear	Built-in driver
Power Supply	220-240VAC, 50Hz
Insulation Class	I
IP Rating	65
Luminaire Lifetime	30,000 hrs.
Equivalent	JC 35W

Ordering Data

Model	Watt
WLL173-4LED	4W



LED Wall Mount (Outdoor)



TIS WLL171

Application

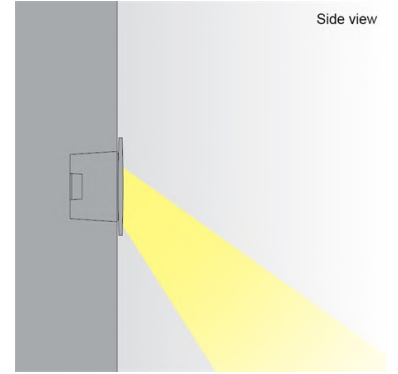
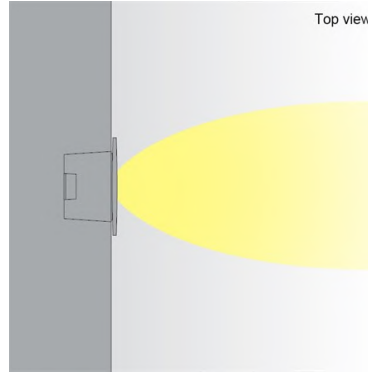
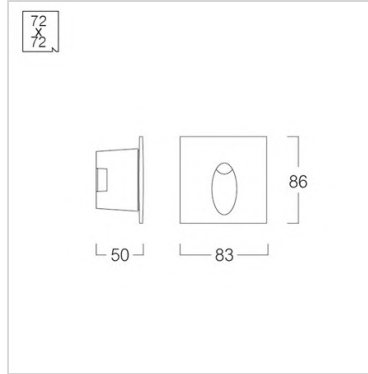
Wall mount luminaire is designed to use for outdoor applications such as walkways, wall illumination, safety applications, etc.

Specification

Housing	Die-cast aluminium
Finishing	Powder coated in black
Lens	Clear acrylic
Gasket	Silicone rubber
Dimension	83x86x50 mm.
Cut Out	72x72x66 mm.
Mounting	Recessed in block out made of polypropylene
Power	3W
Light Source	LED Module
Colour Temperature	3000K
Beam Angle	Asymmetrical wide beam
Control Gear	Built-in driver
Power Supply	220-240VAC, 50Hz
Insulation Class	I
IP Rating	55
Luminaire Lifetime	30,000 hrs.
Equivalent	JC 20W

Ordering Data

Model	Watt
WLL171-3LED	3W



TIS WLL172

Application

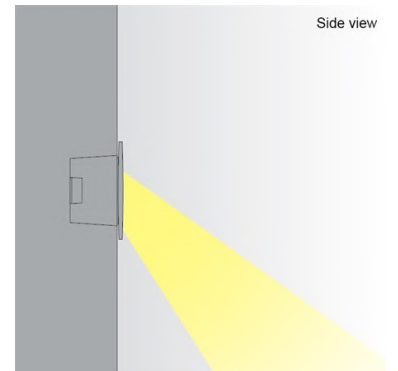
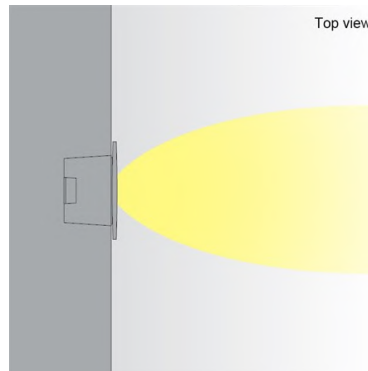
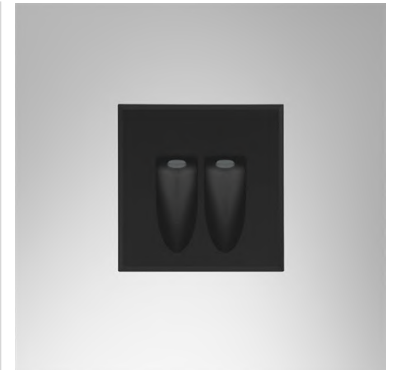
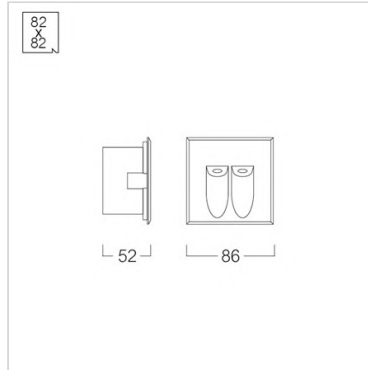
Wall mount luminaire is designed to use for outdoor applications such as walkways, wall illumination, safety applications, etc.

Specification

Housing	Die-cast aluminium
Finishing	Powder coated in black
Lens	Clear acrylic
Gasket	Silicone rubber
Dimension	86x86x52 mm.
Cut Out	82x82x68 mm.
Mounting	Recessed in block out made of polypropylene
Power	3W
Light Source	LED Module
Colour Temperature	3000K
Beam Angle	Asymmetrical wide beam
Control Gear	Built-in driver
Power Supply	220-240VAC, 50Hz
Insulation Class	I
IP Rating	55
Luminaire Lifetime	30,000 hrs.
Equivalent	JC 20W

Ordering Data

Model	Watt
WLL172-3LED	3W



LED Wall Mount (Outdoor)



TIS WLL150

Application

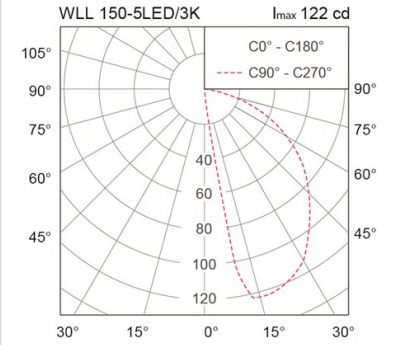
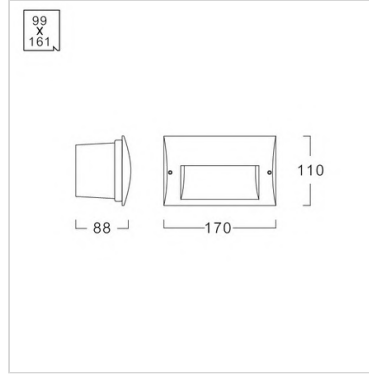
Wall mount luminaire is designed to use for outdoor applications such as walkways, wall illumination, safety applications, etc.

Specification

Housing	Die-cast aluminium
Finishing	Powder coated in black
Lens	Frosted glass
Gasket	Silicone rubber
Dimension	110x170x88 mm.
Cut Out	99x161x105 mm.
Mounting	Recessed in block out made of polypropylene
Power	5W
Light Source	LED Module
Colour Temperature	3000K
Luminaire Output	125 lm
Beam Angle	Asymmetrical wide beam
Control Gear	Built-in driver
Power Supply	220-240VAC, 50Hz
Insulation Class	I
IP Rating	65
Luminaire Lifetime	30,000 hrs.
Equivalent	CFL 11W

Ordering Data

Model	Watt
WLL150-5LED	5W



TIS WLL151

Application

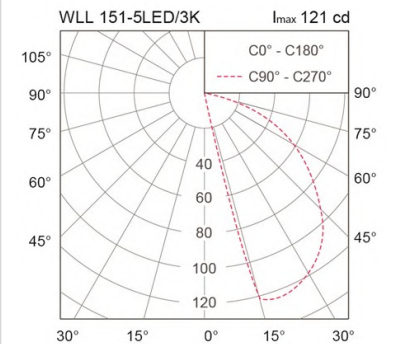
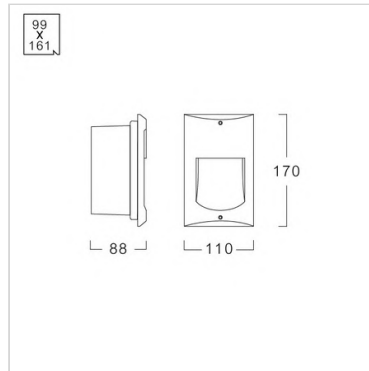
Wall mount luminaire is designed to use for outdoor applications such as walkways, wall illumination, safety applications, etc.

Specification

Housing	Die-cast aluminium
Finishing	Powder coated in black
Lens	Frosted glass
Gasket	Silicone rubber
Dimension	170x110x88 mm.
Cut Out	161x99x105 mm.
Mounting	Recessed in block out made of polypropylene
Power	5W
Light Source	LED Module
Colour Temperature	3000K
Luminaire Output	115 lm
Beam Angle	Asymmetrical wide beam
Control Gear	Built-in driver
Power Supply	220-240VAC, 50Hz
Insulation Class	I
IP Rating	65
Luminaire Lifetime	30,000 hrs.
Equivalent	CFL 11W

Ordering Data

Model	Watt
WLL151-5LED	5W



LED Wall Mount (Outdoor)



TIS WLL153

Application

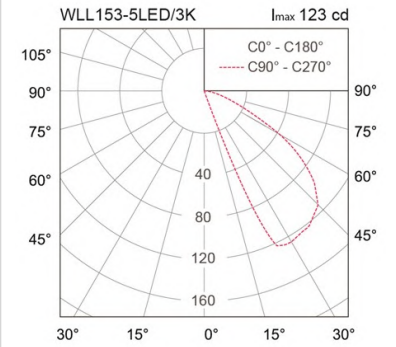
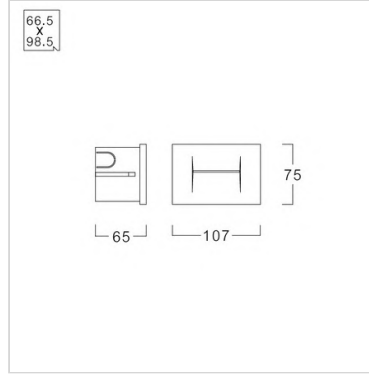
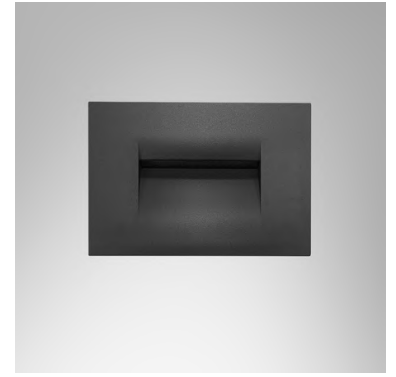
Wall mount luminaire is designed to use for outdoor applications such as walkways, wall illumination, safety applications, etc.

Specification

Housing	Die-cast aluminium
Finishing	Powder coated in black
Lens	Clear polycarbonate
Gasket	Silicone rubber
Dimension	75x107x65 mm.
Cut Out	66.5x98.5x70 mm.
Mounting	Recessed in block out made of polypropylene
Power	5W
Light Source	LED Module
Colour Temperature	3000K
Luminaire Output	105 lm
Beam Angle	Asymmetrical wide beam
Control Gear	Built-in driver
Power Supply	220-240VAC, 50Hz
Insulation Class	I
IP Rating	65
Luminaire Lifetime	30,000 hrs.
Equivalent	CFL 11W

Ordering Data

Model	Watt
WLL153-5LED	5W



TIS WLL152

Application

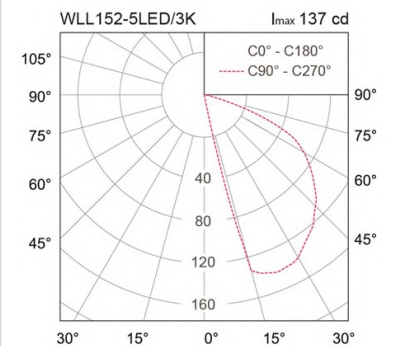
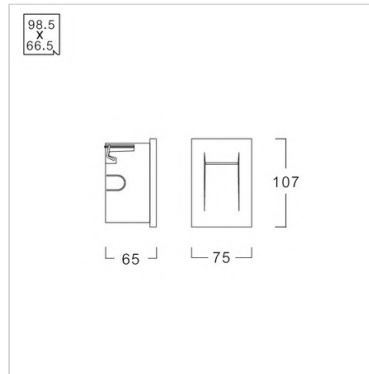
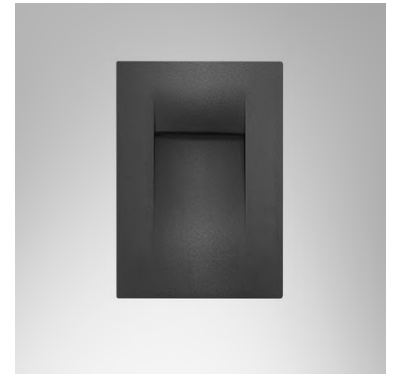
Wall mount luminaire is designed to use for outdoor applications such as walkways, wall illumination, safety applications, etc.

Specification

Housing	Die-cast aluminium
Finishing	Powder coated in black
Lens	Clear polycarbonate
Gasket	Silicone rubber
Dimension	107x75x65 mm.
Cut Out	98.5x66.5x70 mm.
Mounting	Recessed in block out made of polypropylene
Power	5W
Light Source	LED Module
Colour Temperature	3000K
Luminaire Output	125 lm
Beam Angle	Asymmetrical wide beam
Control Gear	Built-in driver
Power Supply	220-240VAC, 50Hz
Insulation Class	I
IP Rating	65
Luminaire Lifetime	30,000 hrs.
Equivalent	CFL 11W

Ordering Data

Model	Watt
WLL152-5LED	5W



LED Wall Mount (Outdoor)



WLL154

Application

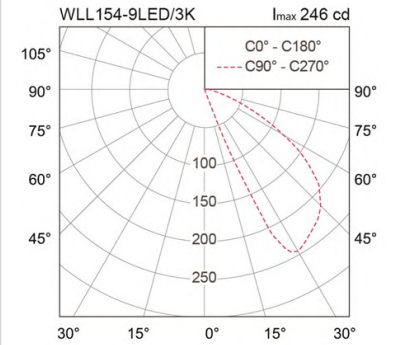
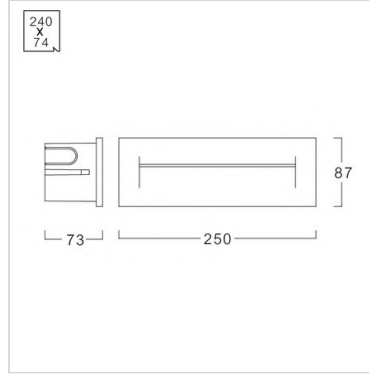
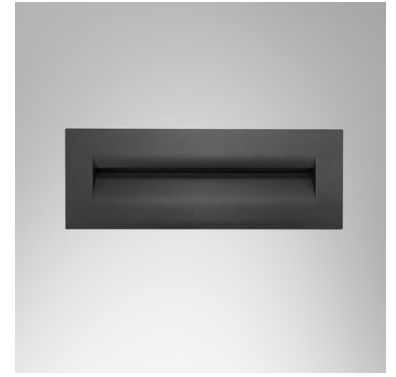
Wall mount luminaire is designed to use for outdoor applications such as walkways, wall illumination, safety applications, etc.

Specification

Housing	Die-cast aluminium
Finishing	Powder coated in black
Lens	Clear polycarbonate
Gasket	Silicone rubber
Dimension	87x250x73 mm.
Cut Out	74x240x80 mm.
Mounting	Recessed in block out made of polypropylene
Power	9W
Light Source	LED Module
Colour Temperature	3000K
Luminaire Output	220 lm
Beam Angle	Asymmetrical wide beam
Control Gear	Built-in driver
Power Supply	220-240VAC, 50Hz
Insulation Class	I
IP Rating	65
Luminaire Lifetime	30,000 hrs.
Equivalent	CFL 18W

Ordering Data

Model	Watt
WLL154-9LED	9W



WLL155

Application

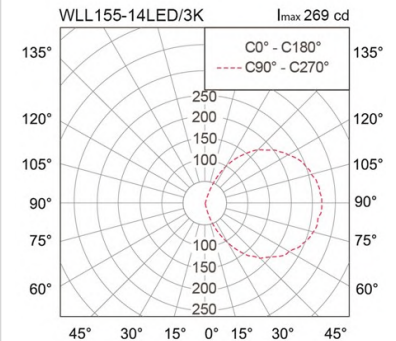
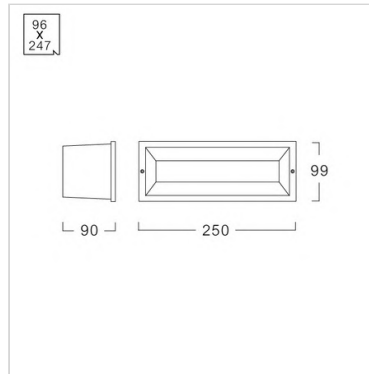
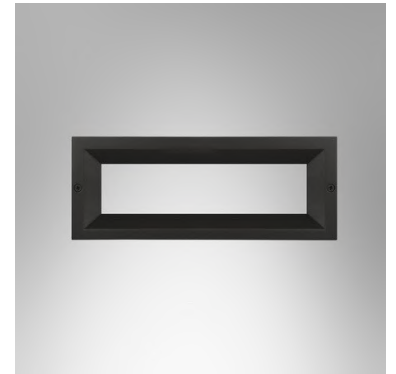
Wall mount luminaire is designed to use for outdoor applications such as walkways, wall illumination, safety applications, etc.

Specification

Housing	Die-cast aluminium
Finishing	Powder coated in black
Lens	Frosted polycarbonate
Gasket	Silicone rubber
Dimension	99x250x90 mm.
Cut Out	96x247x95 mm.
Mounting	Recessed in block out made of polypropylene
Power	14W
Light Source	LED Module
Colour Temperature	3000K
Luminaire Output	700 lm
Beam Angle	Symmetrical wide beam
Control Gear	Built-in driver
Power Supply	220-240VAC, 50Hz
Insulation Class	I
IP Rating	65
Luminaire Lifetime	30,000 hrs.
Equivalent	CFL 2x26W

Ordering Data

Model	Watt
WLL155-14LED	14W



LED Wall Mount (Outdoor)



TIS WLL159

Application

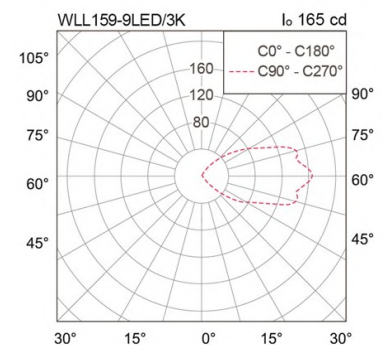
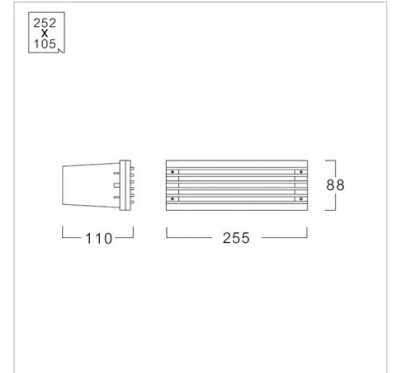
Wall mount luminaire is designed to use for outdoor applications such as walkways, wall illumination, safety applications, etc.

Specification

Housing	Die-cast aluminium
Finishing	Powder coated in black
Lens	Frosted glass
Gasket	Silicone rubber
Dimension	88x255x110 mm.
Cut Out	88x252x105 mm.
Mounting	Recessed in block out made of polypropylene
Power	9W
Light Source	LED Module
Colour Temperature	3000K
Luminaire Output	230 lm
Beam Angle	Symmetrical wide beam
Control Gear	Built-in driver
Power Supply	220-240VAC, 50Hz
Insulation Class	I
IP Rating	65
Luminaire Lifetime	30,000 hrs.
Equivalent	CFL 18W

Ordering Data

Model	Watt
WLL159-9LED	9W



LED Wall Mount (Outdoor)



TIS WMS200

Application

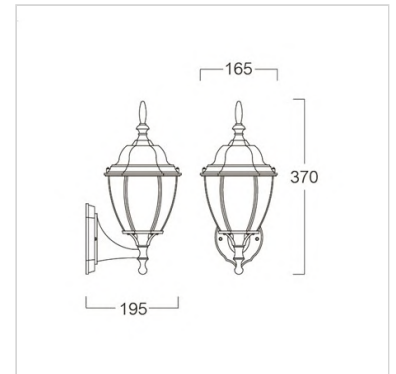
Wall mount luminaire is designed to use for outdoor applications such as walkways, wall illumination, safety applications, etc.

Specification

Housing	Die-cast aluminium
Finishing	Powder coated in black
Diffuser	Clear glass
Cable Entry	Silicone rubber grommet
Dimension	165x195x370 mm.
Mounting	Surface
Power	7W
Light Source	LED-BULB
Lamp Holder	E27
Colour Temperature	3000K
Lamp Output	630 lm
Power Supply	220VAC,50Hz (L&E lamp) 220-240VAC,50Hz (Other brands lamp are available as option)
Insulation Class	I
IP Rating	44
Lamp Lifetime	25,000 hrs.
Equivalent	CFL 11W

Ordering Data

Model	Watt
WMS200-E27	7W



TIS WMS210

Application

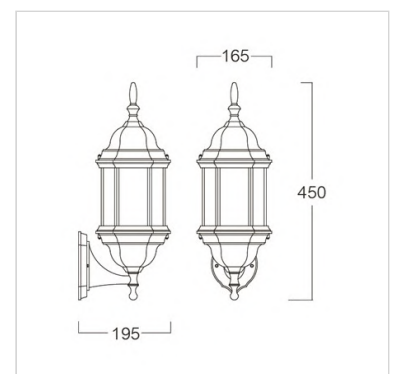
Wall mount luminaire is designed to use for outdoor applications such as walkways, wall illumination, safety applications, etc.

Specification

Housing	Die-cast hexagonal aluminium
Finishing	Powder coated in black
Diffuser	Clear glass
Cable Entry	Silicone rubber grommet
Dimension	165x195x450 mm.
Mounting	Surface
Power	7W
Light Source	LED-BULB
Lamp Holder	E27
Colour Temperature	3000K
Lamp Output	630 lm
Power Supply	220VAC,50Hz (L&E lamp) 220-240VAC ,50Hz (Other brands lamp are available as option)
Insulation Class	I
IP Rating	44
Lamp Lifetime	25,000 hrs.
Equivalent	CFL 11W

Ordering Data

Model	Watt
WMS210-E27	7W



LED Wall Mount (Outdoor)



TIS WMS220

Application

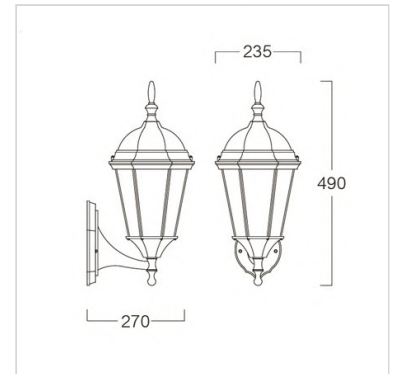
Wall mount luminaire is designed to use for outdoor applications such as walkways, wall illumination, safety applications, etc.

Specification

Housing	Die-cast aluminium
Finishing	Powder coated in black
Diffuser	Clear glass
Cable Entry	Silicone rubber grommet
Dimension	235x270x490 mm.
Mounting	Surface
Power	10W
Light Source	LED-BULB
Lamp Holder	E27
Colour Temperature	3000K
Lamp Output	980 lm
Power Supply	220VAC, 50Hz (L&E lamp) 220-240VAC, 50Hz (Other brands lamp are available as option)
Insulation Class	I
IP Rating	44
Lamp Lifetime	25,000 hrs.
Equivalent	CFL 14W

Ordering Data

Model	Watt
WMS220-E27	10W



TIS WMS230

Application

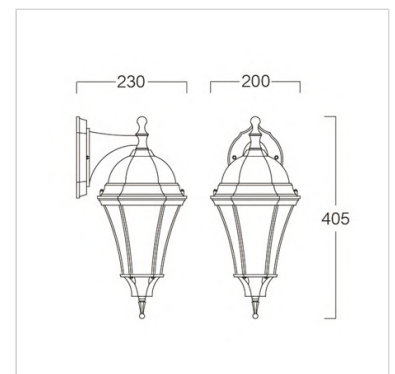
Wall mount luminaire is designed to use for outdoor applications such as walkways, wall illumination, safety applications, etc.

Specification

Housing	Die-cast hexagonal aluminium
Finishing	Powder coated in black
Diffuser	Clear glass
Cable Entry	Silicone rubber grommet
Dimension	200x230x405 mm.
Mounting	Surface
Power	10W
Light Source	LED-BULB
Lamp Holder	E27
Colour Temperature	3000K
Lamp Output	980 lm
Power Supply	220VAC, 50Hz (L&E lamp) 220-240VAC, 50Hz (Other brands lamp are available as option)
Insulation Class	I
IP Rating	44
Lamp Lifetime	25,000 hrs.
Equivalent	CFL 14W

Ordering Data

Model	Watt
WMS230-E27	10W



LED Wall Mount (Outdoor)



TIS WMS020

Application

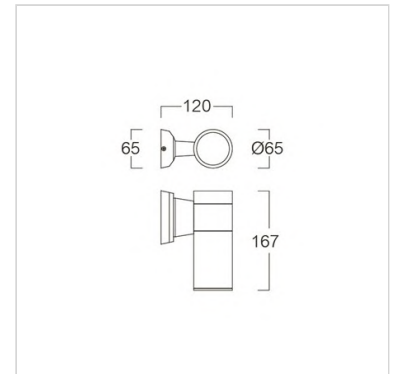
Wall mount luminaire is designed to use for outdoor applications such as walkways, wall illumination, safety applications, etc.

Specification

Housing	Die-cast aluminium
Finishing	Powder coated in black
Diffuser	Clear toughened glass
Gasket	Silicone rubber
Dimension	65x120x167 mm.
Mounting	Surface
Power	7W
Light Source	LED-PAR16
Lamp Holder	GU10
Colour Temperature	3000K
Lamp Output	620 lm
Power Supply	220VAC,50Hz (L&E lamp) 220-240VAC,50Hz (Other brands lamp are available as option)
Insulation Class	I
IP Rating	55
Lamp Lifetime	15,000 hrs.
Equivalent	PAR16 50W

Ordering Data

Model	Watt
WMS020-GU10/BK	7W



TIS WMD020

Application

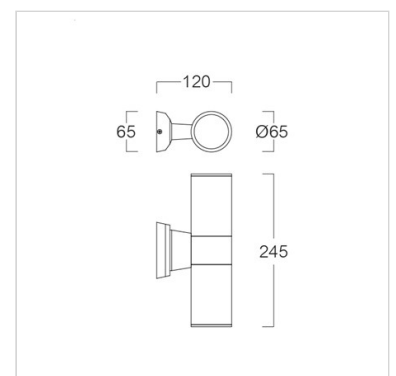
Wall mount luminaire is designed to use for outdoor applications such as walkways, wall illumination, safety applications, etc.

Specification

Housing	Die-cast aluminium
Finishing	Powder coated in black
Diffuser	Clear toughened glass
Gasket	Silicone rubber
Dimension	65x120x245 mm.
Mounting	Surface
Power	2x7W
Light Source	LED-PAR16
Lamp Holder	GU10
Colour Temperature	3000K
Lamp Output	2x620 lm
Power Supply	220VAC,50Hz (L&E lamp) 220-240VAC,50Hz (Other brands lamp are available as option)
Insulation Class	I
IP Rating	55
Lamp Lifetime	15,000 hrs.
Equivalent	PAR16 2x50W

Ordering Data

Model	Watt
WMD020-GU10/BK	2X7W



LED Wall Mount (Outdoor)



TIS WMS021

Application

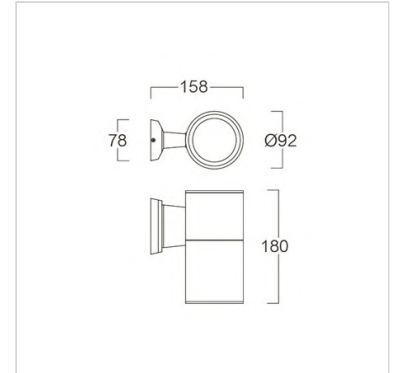
Wall mount luminaire is designed to use for outdoor applications such as walkways, wall illumination, safety applications, etc.

Specification

Housing	Die-cast aluminium
Finishing	Powder coated in black
Diffuser	Clear toughened glass
Gasket	Silicone rubber
Dimension	92x158x180 mm.
Mounting	Surface
Power	LED-BULB B45 : 3W LED-PAR16 : 7W
Light Source	LED-BULB B45 / LED-PAR16
Lamp Holder	E27 : BULB B45 / GU10 : PAR16
Colour Temperature	3000K
Lamp Output	LED-BULB B45 : 200 lm LED-PAR16 : 620 lm
Power Supply	220VAC, 50Hz (L&E lamp) 220-240VAC, 50Hz (Other brands lamp are available as option)
Insulation Class	I
IP Rating	55
Lamp Lifetime	LED-BULB B45 : 25,000 hrs. LED-PAR16 : 15,000 hrs.
Equivalent	LED-BULB B45 3W : CFL 5W LED-PAR16 7W : PAR16 50W

Ordering Data

Model	Watt
WMS021-E27/BK	3W
WMS021-GU10	7W



TIS WMD021

Application

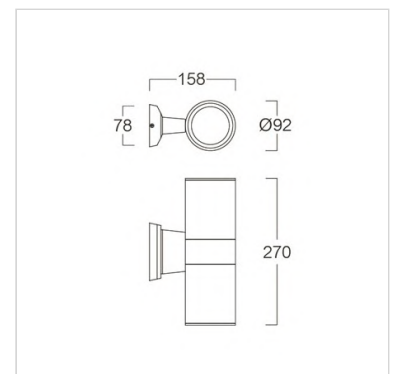
Wall mount luminaire is designed to use for outdoor applications such as walkways, wall illumination, safety applications, etc.

Specification

Housing	Die-cast aluminium
Finishing	Powder coated in black
Diffuser	Clear toughened glass
Gasket	Silicone rubber
Dimension	92x158x270 mm.
Mounting	Surface
Power	LED-BULB B45 : 2x3W LED-PAR16 : 2x7W
Light Source	LED-BULB B45 / LED-PAR16
Lamp Holder	E27 : BULB B45 / GU10 : PAR16
Colour Temperature	3000K
Lamp Output	LED-BULB B45 : 2x200 lm LED-PAR16 : 2x620 lm
Power Supply	220VAC, 50Hz (L&E lamp) 220-240VAC, 50Hz (Other brands lamp are available as option)
Insulation Class	I
IP Rating	55
Lamp Lifetime	LED-BULB B45 : 25,000 hrs. LED-PAR16 : 15,000 hrs.
Equivalent	LED-BULB B45 2x3W : CFL 2x5W LED-PAR16 2x7W : PAR16 2x50W

Ordering Data

Model	Watt
WMD021-E27/BK	2X3W
WMD021-GU10	2X7W



LED Wall Mount (Outdoor)



TIS WMS022

Application

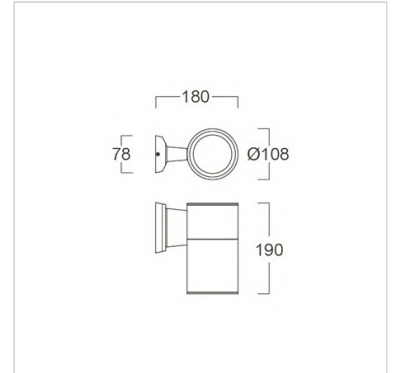
Wall mount luminaire is designed to use for outdoor applications such as walkways, wall illumination, safety applications, etc.

Specification

Housing	Die-cast aluminium
Finishing	Powder coated in black
Diffuser	Clear toughened glass
Gasket	Silicone rubber
Dimension	108x180x190 mm.
Mounting	Surface
Power	7W
Light Source	LED-BULB
Lamp Holder	E27
Colour Temperature	3000K
Lamp Output	630 lm
Power Supply	220VAC,50Hz (L&E lamp) 220-240VAC,50Hz (Other brands lamp are available as option)
Insulation Class	I
IP Rating	55
Lamp Lifetime	25,000 hrs.
Equivalent	CFL 11W

Ordering Data

Model	Watt
WMS022-E27/BK	7W



TIS WMD022

Application

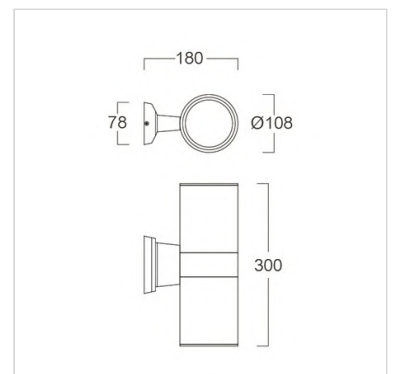
Wall mount luminaire is designed to use for outdoor applications such as walkways, wall illumination, safety applications, etc.

Specification

Housing	Die-cast aluminium
Finishing	Powder coated in black
Diffuser	Clear toughened glass
Gasket	Silicone rubber
Dimension	108x180x300 mm.
Mounting	Surface
Power	2x7W
Light Source	LED-BULB
Lamp Holder	E27
Colour Temperature	3000K
Lamp Output	2x630 lm
Power Supply	220VAC,50Hz (L&E lamp) 220-240VAC,50Hz (Other brands lamp are available as option)
Insulation Class	I
IP Rating	55
Lamp Lifetime	25,000 hrs.
Equivalent	CFL 2x11W

Ordering Data

Model	Watt
WMD022-E27/BK	2X7W



LED Wall Mount (Outdoor)



TIS WMS023

Application

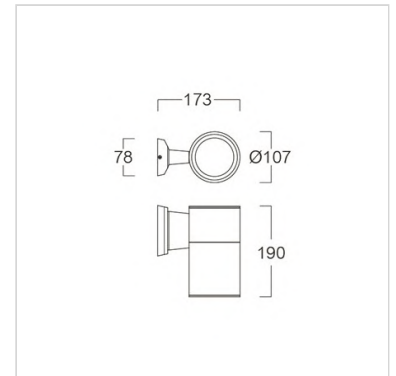
Wall mount luminaire is designed to use for outdoor applications such as walkways, wall illumination, safety applications, etc.

Specification

Housing	Die-cast aluminium
Finishing	Powder coated in black
Diffuser	Clear toughened glass
Gasket	Silicone rubber
Dimension	145x210x250 mm.
Mounting	Surface
Power	10W
Light Source	LED-PAR30
Lamp Holder	E27
Colour Temperature	300K
Lamp Output	950 lm
Power Supply	220VAC, 50Hz (L&E lamp) 220-240VAC, 50Hz (Other brands lamp are available as option)
Insulation Class	I
IP Rating	55
Lamp Lifetime	20,000 hrs.
Equivalent	PAR30 75W

Ordering Data

Model	Watt
WMS023-E27/BK	10W



TIS WMD023

Application

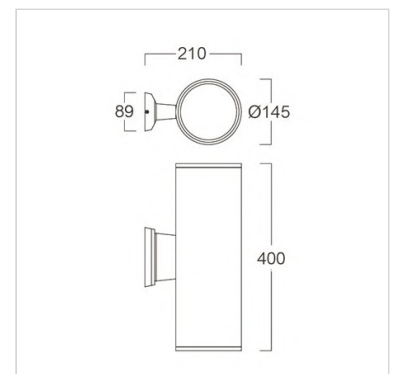
Wall mount luminaire is designed to use for outdoor applications such as walkways, wall illumination, safety applications, etc.

Specification

Housing	Die-cast aluminium
Finishing	Powder coated in black
Diffuser	Clear toughened glass
Gasket	Silicone rubber
Dimension	145x210x400 mm .
Mounting	Surface
Power	2x10W
Light Source	LED-PAR30
Lamp Holder	E27
Colour Temperature	3000K
Lamp Output	2x950 lm
Power Supply	220VAC, 50Hz (L&E lamp) 220-240VAC, 50Hz (Other brands lamp are available as option)
Insulation Class	I
IP Rating	55
Lamp Lifetime	25,000 hrs.
Equivalent	CFL 2x14W

Ordering Data

Model	Watt
WMD023-E27/BK	2X10W



LED Wall Mount (Outdoor)



TIS WMS041

Application

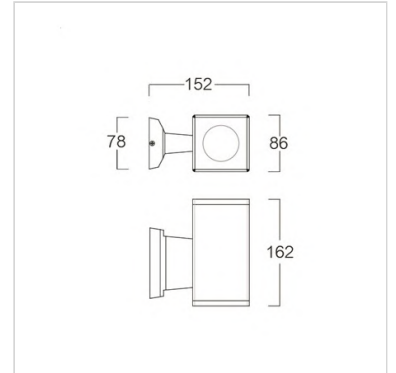
Wall mount luminaire is designed to use for outdoor applications such as walkways, wall illumination, safety applications, etc.

Specification

Housing	Die-cast aluminium
Finishing	Powder coated in black
Diffuser	Clear toughened glass
Gasket	Silicone rubber
Dimension	86x152x162 mm.
Mounting	Surface
Power	LED-BULB B45 : 3W LED-PAR16 : 7W
Light Source	LED-BULB B45 / LED-PAR16
Lamp Holder	E27 : BULB B45 / GU10 : PAR16
Colour Temperature	3000K
Lamp Output	LED-BULB B45 : 200 lm LED-PAR16 : 620 lm
Power Supply	220VAC,50Hz (L&E lamp) 220-240VAC,50Hz (Other brands lamp are available as option)
Insulation Class	I
IP Rating	55
Lamp Lifetime	LED-BULB B45 : 25,000 hrs. LED-PAR16 : 15,000 hrs.
Equivalent	LED-BULB B45 3W : CFL 5W LED-PAR16 7W : PAR16 50W

Ordering Data

Model	Watt
WMS041-E27/BK	3W
WMS041-GU10	7W



TIS WMD041

Application

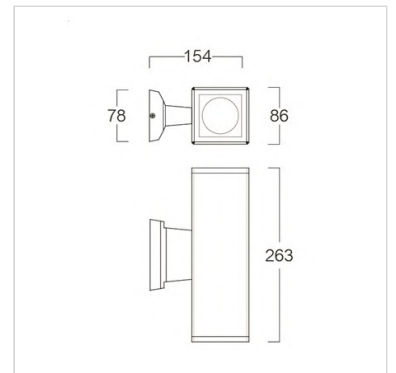
Wall mount luminaire is designed to use for outdoor applications such as walkways, wall illumination, safety applications, etc.

Specification

Housing	Die-cast aluminium
Finishing	Powder coated in black
Diffuser	Clear toughened glass
Gasket	Silicone rubber
Dimension	86x152x263 mm.
Mounting	Surface
Power	LED-BULB B45 : 2x3W LED-PAR16 : 2x7W
Light Source	LED-BULB B45 / LED-PAR16
Lamp Holder	E27 : BULB B45 / GU10 : PAR16
Colour Temperature	3000K
Lamp Output	LED-BULB B45 : 2x200 lm LED-PAR16 : 2x620 lm
Power Supply	220VAC,50Hz (L&E lamp) 220-240VAC,50Hz (Other brands lamp are available as option)
Insulation Class	I
IP Rating	55
Lamp Lifetime	LED-BULB B45 : 25,000 hrs. LED-PAR16 : 15,000 hrs.
Equivalent	LED-BULB B45 2x3W : CFL 2x5W LED-PAR16 2x7W : PAR16 2x50W

Ordering Data

Model	Watt
WMD041-E27/BK	2X3W
WMD041-GU10	2X7W



LED Wall Mount (Outdoor)



TIS WMS042

Application

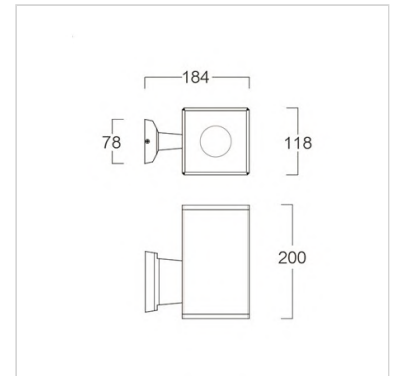
Wall mount luminaire is designed to use for outdoor applications such as walkways, wall illumination, safety applications, etc.

Specification

Housing	Die-cast aluminium
Finishing	Powder coated in black
Diffuser	Clear toughened glass
Gasket	Silicone rubber
Dimension	118x184x200 mm.
Mounting	Surface
Power	10W
Light Source	LED-BULB
Lamp Holder	E27
Colour Temperature	3000K
Lamp Output	980 lm
Power Supply	220VAC,50Hz (L&E lamp) 220-240VAC,50Hz (Other brands lamp are available as option)
Insulation Class	I
IP Rating	55
Lamp Lifetime	25,000 hrs.
Equivalent	CFL 14W

Ordering Data

Model	Watt
WMS042-E27/BK	10W



TIS WMD042

Application

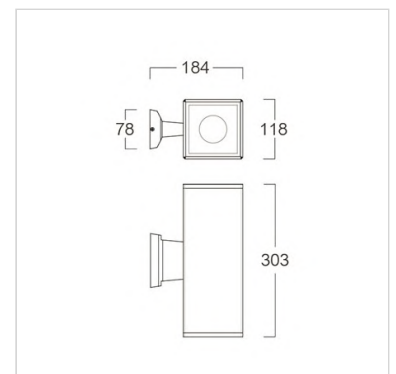
Wall mount luminaire is designed to use for outdoor applications such as walkways, wall illumination, safety applications, etc.

Specification

Housing	Die-cast aluminium
Finishing	Powder coated in black
Diffuser	Clear toughened glass
Gasket	Silicone rubber
Dimension	118x184x303 mm.
Mounting	Surface
Power	2x10W
Light Source	LED-BULB
Lamp Holder	E27
Colour Temperature	3000K
Lamp Output	2x980 lm
Power Supply	220VAC,50Hz (L&E lamp) 220-240VAC,50Hz (Other brands lamp are available as option)
Insulation Class	I
IP Rating	55
Lamp Lifetime	25,000 hrs.
Equivalent	CFL 2x14W

Ordering Data

Model	Watt
WMD042-E27/BK	2X10W



LED Wall Mount (Outdoor)



TIS WMS038

Application

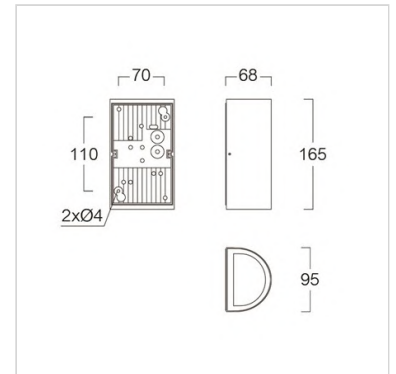
Wall mount luminaire is designed to use for outdoor applications such as walkways, wall illumination, safety applications, etc.

Specification

Housing	Die-cast aluminium
Finishing	Powder coated in black
Lens	Clear toughened glass
Gasket	Silicone rubber
Dimension	95x165x68 mm.
Mounting	Surface
Power	7W
Light Source	LED-PAR16
Lamp Holder	GU10
Colour Temperature	3000K
Lamp Output	620 lm
Power Supply	220VAC, 50Hz (L&E lamp) 220-240VAC, 50Hz (Other brands lamp are available as option)
Insulation Class	I
IP Rating	54
Lamp Lifetime	15,000 hrs.
Equivalent	PAR16 50W

Ordering Data

Model	Watt
WMS038-GU10	7W



TIS WMD038

Application

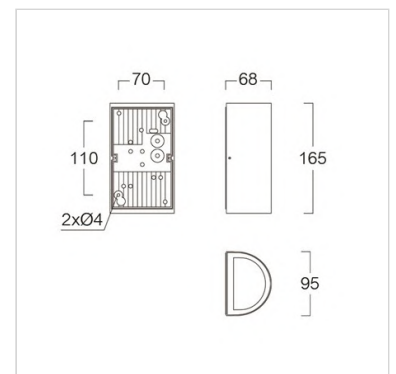
Wall mount luminaire is designed to use for outdoor applications such as walkways, wall illumination, safety applications, etc.

Specification

Housing	Die-cast aluminium
Finishing	Powder coated in black
Lens	Clear toughened glass
Gasket	Silicone rubber
Dimension	95x165x68 mm.
Mounting	Surface
Power	2x7W
Light Source	LED-PAR16
Lamp Holder	GU10
Colour Temperature	3000K
Lamp Output	2x620 lm
Power Supply	220VAC, 50Hz (L&E lamp) 220-240VAC, 50Hz (Other brands lamp are available as option)
Insulation Class	I
IP Rating	54
Lamp Lifetime	15,000 hrs.
Equivalent	PAR16 2x50W

Ordering Data

Model	Watt
WMD038-2xGU10	2X7W



LED Wall Mount (Outdoor)



TIS WMS039

Application

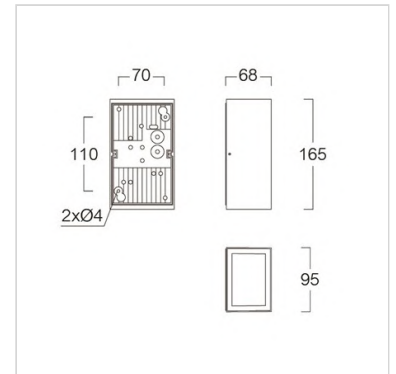
Wall mount luminaire is designed to use for outdoor applications such as walkways, wall illumination, safety applications, etc.

Specification

Housing	Die-cast aluminium
Finishing	Powder coated in black
Lens	Clear toughened glass
Gasket	Silicone rubber
Dimension	95x165x68 mm.
Mounting	Surface
Power	7W
Light Source	LED-PAR16
Lamp Holder	GU10
Lamp Output	620 lm
Power Supply	220VAC, 50Hz (L&E lamp) 220-240VAC, 50Hz (Other brands lamp are available as option)
Insulation Class	I
IP Rating	54
Lamp Lifetime	15,000 hrs.
Equivalent	PAR16 50W

Ordering Data

Model	Watt
WMS039-GU10	7W



TIS WMD039

Application

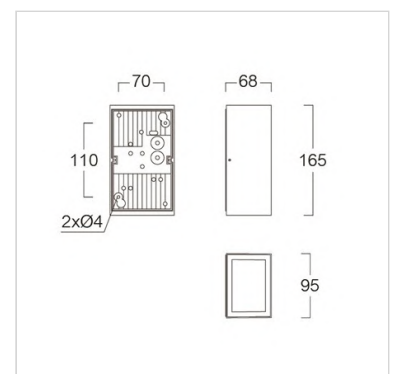
Wall mount luminaire is designed to use for outdoor applications such as walkways, wall illumination, safety applications, etc.

Specification

Housing	Die-cast aluminium
Finishing	Powder coated in black
Lens	Clear toughened glass
Gasket	Silicone rubber
Dimension	95x165x68 mm.
Mounting	Surface
Power	2x7W
Light Source	LED-PAR16
Lamp Holder	GU10
Colour Temperature	3000K
Lamp Output	2x620 lm
Power Supply	220VAC, 50Hz (L&E lamp) 220-240VAC, 50Hz (Other brands lamp are available as option)
Insulation Class	I
IP Rating	54
Lamp Lifetime	15,000 hrs.
Equivalent	PAR16 2x50W

Ordering Data

Model	Watt
WMD039-2xGU10	2X7W



LED Wall Mount (Outdoor)



TIS WMS710

Application

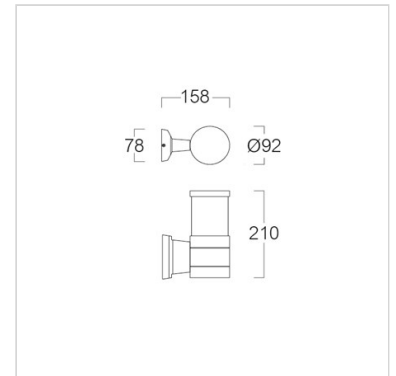
Wall mount luminaire is designed to use for outdoor applications such as walkways, wall illumination, safety applications, etc.

Specification

Housing	Die-cast aluminium
Finishing	Powder coated in black
Diffuser	Frosted cylindrical toughened glass
Gasket	Silicone rubber
Cable Entry	silicone rubber grommet
Dimension	92x158x210 mm.
Mounting	Surface
Power	3W
Light Source	LED-BULB B45
Lamp Holder	E27
Colour Temperature	3000K
Lamp Output	200 lm
Power Supply	220VAC,50Hz (L&E lamp) 220-240VAC,50Hz (Other brands lamp are available as option)
Insulation Class	I
IP Rating	55
Lamp Lifetime	25,000 hrs.
Equivalent	CFL 5W

Ordering Data

Model	Watt
WMS710-E27/BK	3W



TIS WMS049

Application

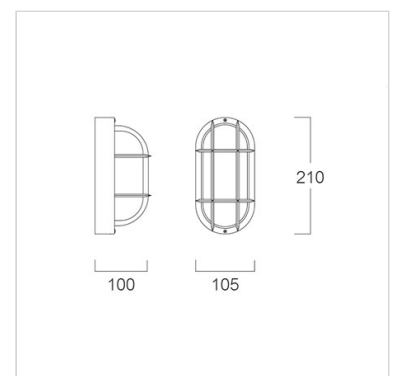
Wall mount luminaire is designed to use for outdoor applications such as walkways, wall illumination, safety applications, etc.

Specification

Housing	Thermostable plastic body
Finishing	Black or white
Diffuser	Clear toughened safety glass
Gasket	Silicone rubber
Cable Entry	silicone rubber grommet
Dimension	105x210x100 mm.
Mounting	Surface
Power	7W
Light Source	LED-BULB
Lamp Holder	E27
Colour Temperature	3000K
Lamp Output	630 lm
Power Supply	220VAC,50Hz (L&E lamp) 220-240VAC,50Hz (Other brands lamp are available as option)
Insulation Class	I
IP Rating	55
Lamp Lifetime	25,000 hrs.
Equivalent	CFL 11W

Ordering Data

Model	Watt
WMS049-E27/BK	7W
WMS049-E27/WH	7W



LED Wall Mount (Outdoor)



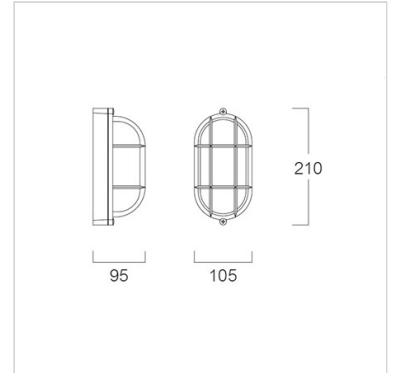
TIS WMS051

Specification

Housing	Die-cast aluminium
Finishing	Powder coated in black or white
Diffuser	Frosted toughened safety glass
Gasket	Silicone rubber
Cable Entry	silicone rubber grommet
Dimension	105x210x95 mm.
Mounting	Surface
Power	10W
Light Source	LED-BULB
Lamp Holder	E27
Colour Temperature	3000K
Lamp Output	980 lm
Power Supply	220VAC,50Hz (L&E lamp) 220-240VAC,50Hz (Other brands lamp are available as option)
Insulation Class	I
IP Rating	55
Lamp Lifetime	25,000 hrs.
Equivalent	CFL 14W

Ordering Data

Model	Watt
WMS051-E27/BK	10W
WMS051-E27/WH	10W



TIS WMS900

Application

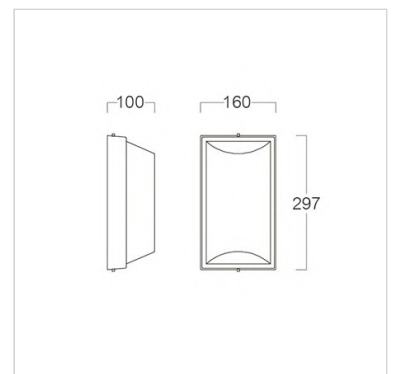
Wall mount luminaire is designed to use for outdoor applications such as walkways, wall illumination, safety applications, etc.

Specification

Housing	Steel base plate white color
Finishing	Powder coated in white
Diffuser	UV stabilized and vandal resistant opalescent acrylic
Gasket	Silicone rubber
Mounting	Surface
Power	10W
Light Source	LED-BULB
Lamp Holder	E27
Colour Temperature	3000K
Lamp Output	980 lm
Power Supply	220VAC,50Hz (L&E lamp) 220-240VAC,50Hz (Other brands lamp are available as option)
Insulation Class	I
IP Rating	43
Lamp Lifetime	25,000 hrs.
Equivalent	CFL 14W

Ordering Data

Model	Watt
WMS900/BK-E27	10W



LED Wall Mount (Outdoor)



TIS WLL331

Application

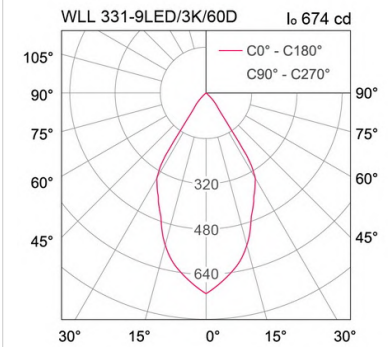
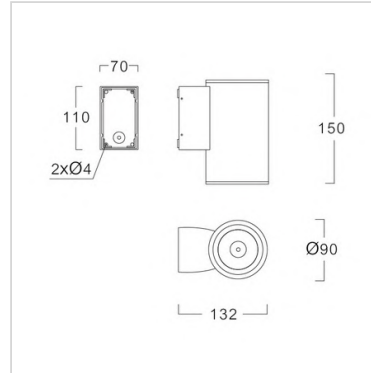
Wall mount luminaire is designed to use for outdoor applications such as walkways, wall illumination, safety applications, etc.

Specification

Housing	Die-cast aluminium
Finishing	Powder coated in black
Reflector	Anodized aluminium
Lens	Clear toughened glass
Gasket	Silicone rubber
Dimension	90x132x150 mm.
Mounting	Surface
Power	9W
Light Source	LED-COB
Colour Temperature	3000K
Luminaire Output	540 lm
Beam Angle	12/24/36/60 degree
Control Gear	Built-in driver
Power Supply	220-240VAC, 50Hz
Insulation Class	I
IP Rating	65
Luminaire Lifetime	30,000 hrs.
Equivalent	PAR20 50W

Ordering Data

Model	Watt
WLL331-9LED	9W



TIS WLL332

Application

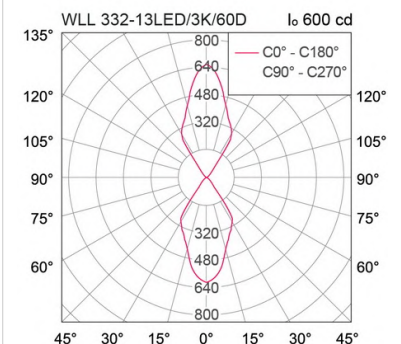
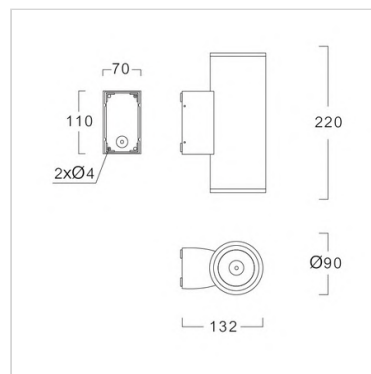
Wall mount luminaire is designed to use for outdoor applications such as walkways, wall illumination, safety applications, etc.

Specification

Housing	Die-cast aluminium
Finishing	Powder coated in black
Reflector	Anodized aluminium
Lens	Clear toughened glass
Gasket	Silicone rubber
Dimension	90x132x220 mm.
Mounting	Surface
Power	13W
Light Source	LED-COB
Colour Temperature	3000K
Luminaire Output	930 lm
Beam Angle	12/24/36/60 degree
Control Gear	Built-in driver
Power Supply	220-240VAC, 50Hz
Insulation Class	I
IP Rating	65
Luminaire Lifetime	30,000 hrs.
Equivalent	PAR20 2x50W

Ordering Data

Model	Watt
WLL332-13LED	13W



LED Wall Mount (Outdoor)



TIS WLL341

Application

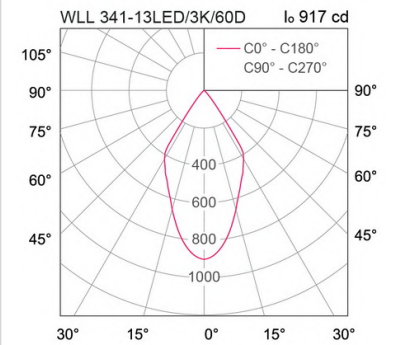
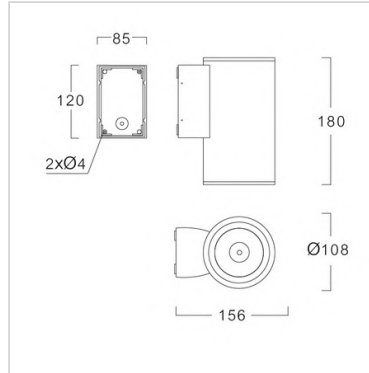
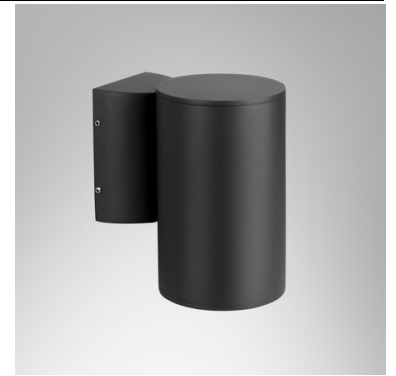
Wall mount luminaire is designed to use for outdoor applications such as walkways, wall illumination, safety applications, etc.

Specification

Housing	Die-cast aluminium
Finishing	Powder coated in black
Reflector	Anodized aluminium
Lens	Clear toughened glass
Gasket	Silicone rubber
Dimension	108x156x180 mm.
Mounting	Surface
Power	13W
Light Source	LED-COB
Colour Temperature	3000K
Luminaire Output	670 lm
Beam Angle	12/24/36/60 degree
Control Gear	Built-in driver
Power Supply	220-240VAC, 50Hz
Insulation Class	I
IP Rating	65
Luminaire Lifetime	30,000 hrs.
Equivalent	PAR30 75W

Ordering Data

Model	Watt
WLL341-13LED	13W



TIS WLL342

Application

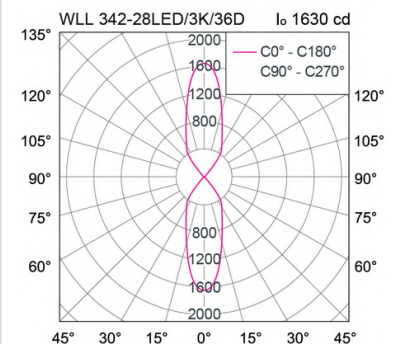
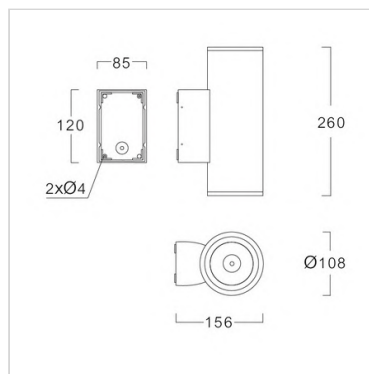
Wall mount luminaire is designed to use for outdoor applications such as walkways, wall illumination, safety applications, etc.

Specification

Housing	Die-cast aluminium
Finishing	Powder coated in black
Reflector	Anodized aluminium
Lens	Clear toughened glass
Gasket	Silicone rubber
Dimension	108x156x260 mm.
Mounting	Surface
Power	28W
Light Source	LED-COB
Colour Temperature	3000K
Luminaire Output	1680 lm
Beam Angle	12/24/36/60 degree
Control Gear	Built-in driver
Power Supply	220-240VAC, 50Hz
Insulation Class	I
IP Rating	65
Luminaire Lifetime	30,000 hrs.
Equivalent	PAR30 2x75W

Ordering Data

Model	Watt
WLL342-28LED	28W



LED Wall Mount (Outdoor)



TIS WLL351

Application

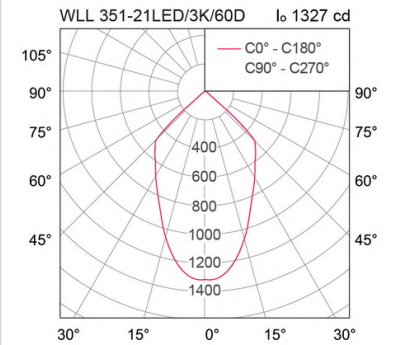
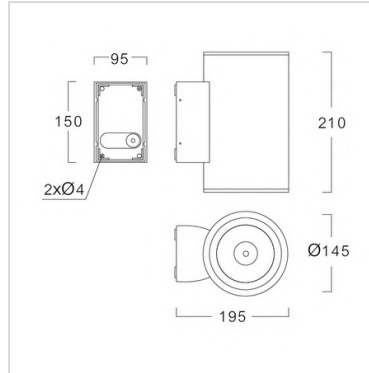
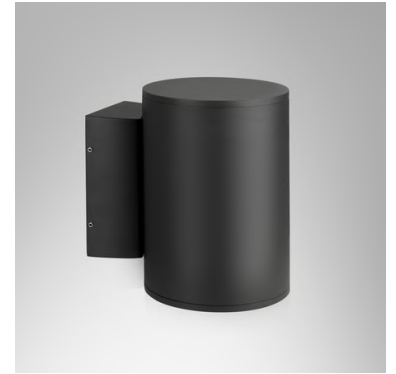
Wall mount luminaire is designed to use for outdoor applications such as walkways, wall illumination, safety applications, etc.

Specification

Housing	Die-cast aluminium
Finishing	Powder coated in black
Reflector	Anodized aluminium
Lens	Clear toughened glass
Gasket	Silicone rubber
Dimension	145x195x210 mm.
Mounting	Surface
Power	21W
Light Source	LED-COB
Colour Temperature	3000K
Luminaire Output	1480 lm
Beam Angle	12/24/36/60 degree
Control Gear	Built-in driver
Power Supply	220-240VAC, 50Hz
Insulation Class	I
IP Rating	65
Luminaire Lifetime	30,000 hrs.
Equivalent	MH 35W

Ordering Data

Model	Watt
WLL351-21LED	21W



TIS WLL352

Application

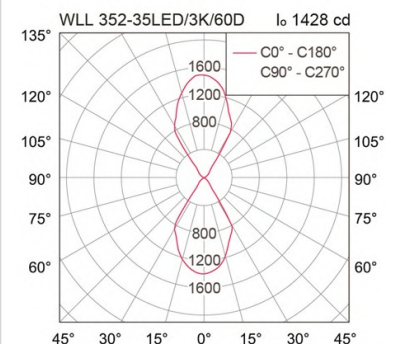
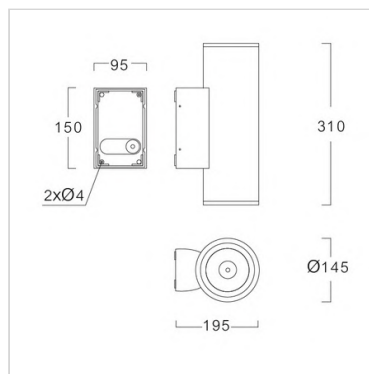
Wall mount luminaire is designed to use for outdoor applications such as walkways, wall illumination, safety applications, etc.

Specification

Housing	Die-cast aluminium
Finishing	Powder coated in black
Reflector	Anodized aluminium
Lens	Clear toughened glass
Gasket	Silicone rubber
Dimension	145x195x310 mm.
Mounting	Surface
Power	35W
Light Source	LED-COB
Colour Temperature	3000K
Luminaire Output	2670 lm
Beam Angle	12/24/36/60 degree
Control Gear	Built-in driver
Power Supply	220-240VAC, 50Hz
Insulation Class	I
IP Rating	65
Luminaire Lifetime	30,000 hrs.
Equivalent	MH 2x35W

Ordering Data

Model	Watt
WLL352-35LED	35W



LED Wall Mount (Outdoor)



TIS WLL431

Application

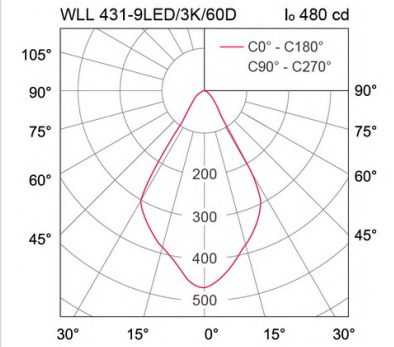
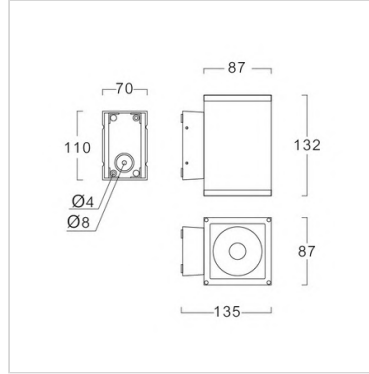
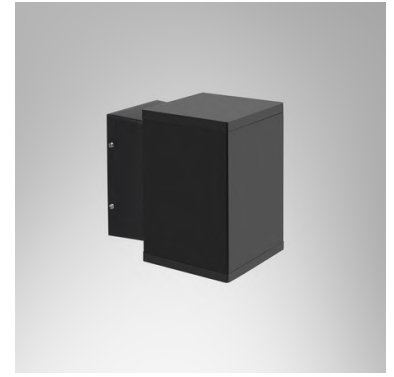
Wall mount luminaire is designed to use for outdoor applications such as walkways, wall illumination, safety applications, etc.

Specification

Housing	Die-cast aluminium
Finishing	Powder coated in black
Reflector	Anodized aluminium
Lens	Clear toughened glass
Gasket	Silicone rubber
Dimension	87x135x132 mm.
Mounting	Surface
Power	9W
Light Source	LED-COB
Colour Temperature	3000K
Luminaire Output	430 lm
Beam Angle	12/24/36/60 degree
Control Gear	Built-in driver
Power Supply	220-240VAC, 50Hz
Insulation Class	I
IP Rating	65
Luminaire Lifetime	30,000 hrs.
Equivalent	PAR20 50W

Ordering Data

Model	Watt
WLL431-9LED	9W



TIS WLL432

Application

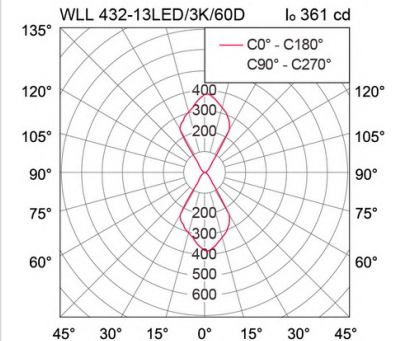
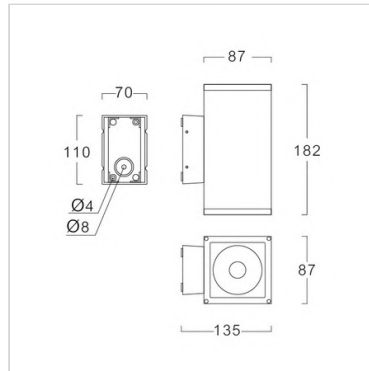
Wall mount luminaire is designed to use for outdoor applications such as walkways, wall illumination, safety applications, etc.

Specification

Housing	Die-cast aluminium
Finishing	Powder coated in black
Reflector	Anodized aluminium
Lens	Clear toughened glass
Gasket	Silicone rubber
Dimension	87x135x182 mm.
Mounting	Surface
Power	13W
Light Source	LED-COB
Colour Temperature	3000K
Luminaire Output	680 lm
Beam Angle	12/24/36/60 degree
Control Gear	Built-in driver
Power Supply	220-240VAC, 50Hz
Insulation Class	I
IP Rating	65
Luminaire Lifetime	30,000 hrs.
Equivalent	PAR20 2x50W

Ordering Data

Model	Watt
WLL432-13LED	13W



LED Wall Mount (Outdoor)



TIS WLL441

Application

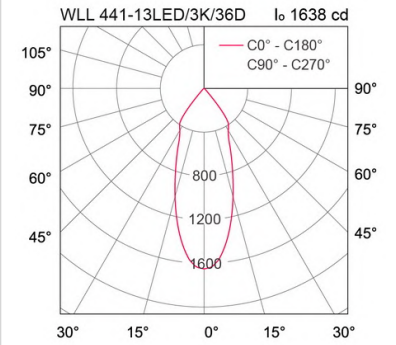
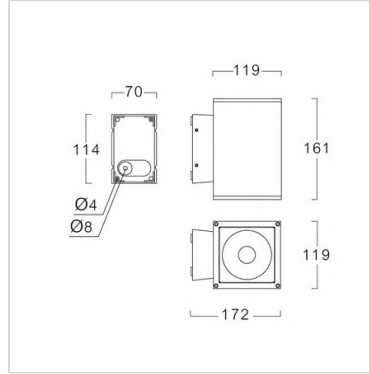
Wall mount luminaire is designed to use for outdoor applications such as walkways, wall illumination, safety applications, etc.

Specification

Housing	Die-cast aluminium
Finishing	Powder coated in black
Reflector	Anodized aluminium
Lens	Clear toughened glass
Gasket	Silicone rubber
Dimension	119x172x161 mm.
Mounting	Surface
Power	13W
Light Source	LED-COB
Colour Temperature	3000K
Luminaire Output	890 lm
Beam Angle	12/24/36/60 degree
Control Gear	Built-in driver
Power Supply	220-240VAC, 50Hz
Insulation Class	I
IP Rating	65
Luminaire Lifetime	30,000 hrs.
Equivalent	PAR30 75W

Ordering Data

Model	Watt
WLL441-13LED	13W



TIS WLL442

Application

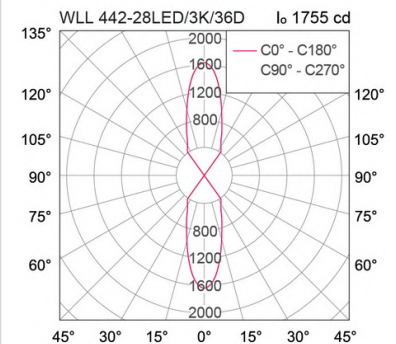
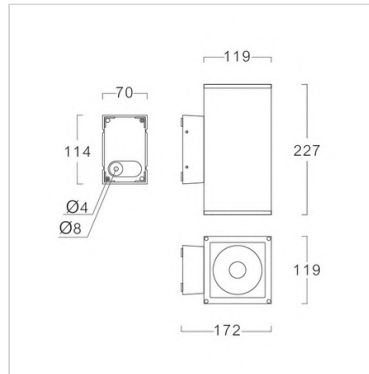
Wall mount luminaire is designed to use for outdoor applications such as walkways, wall illumination, safety applications, etc.

Specification

Housing	Die-cast aluminium
Finishing	Powder coated in black
Reflector	Anodized aluminium
Lens	Clear toughened glass
Gasket	Silicone rubber
Dimension	119x172x227 mm.
Mounting	Surface
Power	28W
Light Source	LED-COB
Colour Temperature	3000K
Luminaire Output	1990 lm
Beam Angle	12/24/36/60 degree
Control Gear	Built-in driver
Power Supply	220-240VAC, 50Hz
Insulation Class	I
IP Rating	65
Luminaire Lifetime	30,000 hrs.
Equivalent	PAR30 2x75W

Ordering Data

Model	Watt
WLL442-28LED	28W



LED Wall Mount (Outdoor)



TIS WLL461

Application

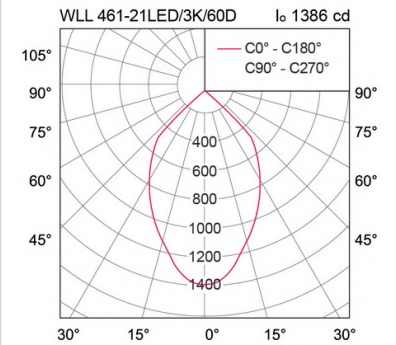
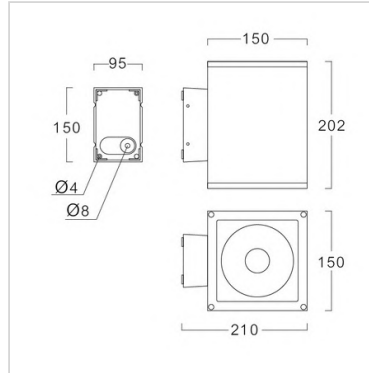
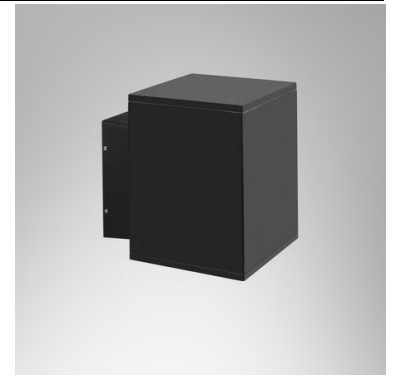
Wall mount luminaire is designed to use for outdoor applications such as walkways, wall illumination, safety applications, etc.

Specification

Housing	Die-cast aluminium
Finishing	Powder coated in black
Reflector	Anodized aluminium
Lens	Clear toughened glass
Gasket	Silicone rubber
Dimension	150x210x202 mm.
Mounting	Surface
Power	21W
Light Source	LED-COB
Colour Temperature	3000K
Luminaire Output	1640 lm
Beam Angle	12/24/36/60 degree
Control Gear	Built-in driver
Power Supply	220-240VAC, 50Hz
Insulation Class	I
IP Rating	65
Luminaire Lifetime	30,000 hrs.
Equivalent	MH 35W

Ordering Data

Model	Watt
WLL461-21LED	21W



TIS WLL462

Application

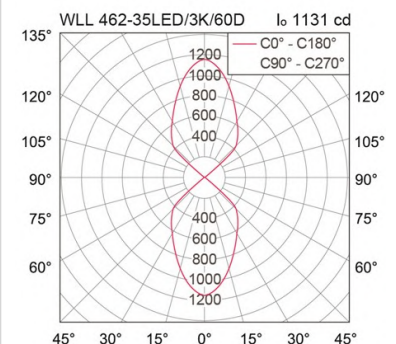
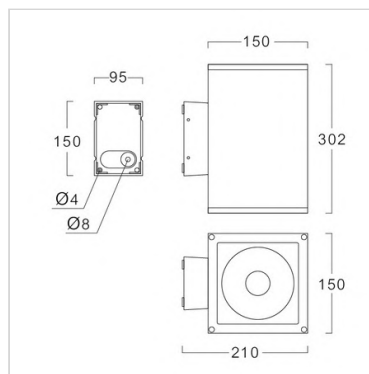
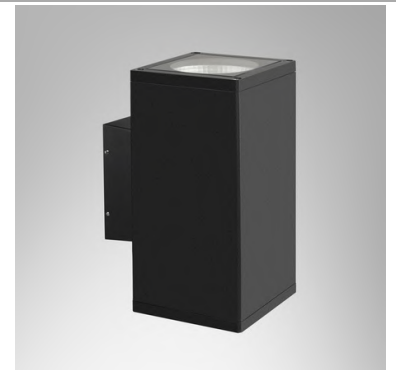
Wall mount luminaire is designed to use for outdoor applications such as walkways, wall illumination, safety applications, etc.

Specification

Housing	Die-cast aluminium
Finishing	Powder coated in black
Reflector	Anodized aluminium
Lens	Clear toughened glass
Gasket	Silicone rubber
Dimension	150x210x302 mm.
Mounting	Surface
Power	35W
Light Source	LED-COB
Colour Temperature	3000K
Luminaire Output	2660 lm
Beam Angle	12/24/36/60 degree
Control Gear	Built-in driver
Power Supply	220-240VAC, 50Hz
Insulation Class	I
IP Rating	65
Luminaire Lifetime	30,000 hrs.
Equivalent	MH 2x35W

Ordering Data

Model	Watt
WLL462-35LED	35W



LED Wall Mount (Outdoor)



TIS WLL463

Application

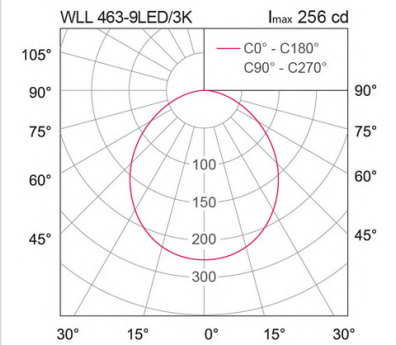
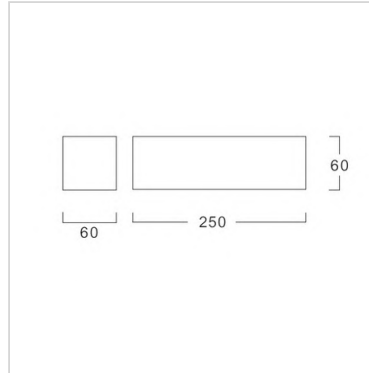
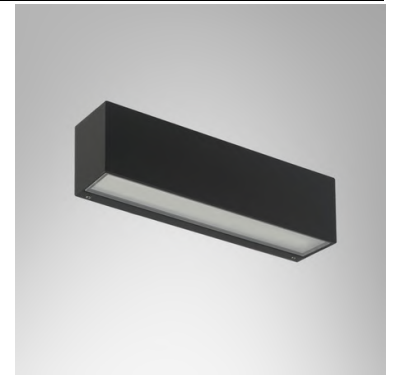
Wall mount luminaire is designed to use for outdoor applications such as walkways, wall illumination, safety applications, etc.

Specification

Housing	Die-cast aluminium
Finishing	Powder coated in black
Lens	Frosted toughened glass
Gasket	Silicone rubber
Dimension	250x60x60 mm.
Mounting	Surface
Power	9W
Light Source	LED Module
Colour Temperature	3000K
Luminaire Output	620 lm
Beam Angle	Down light, wide beam
Control Gear	Built-in driver
Power Supply	220-240VAC, 50Hz
Insulation Class	I
IP Rating	65
Luminaire Lifetime	30,000 hrs.
Equivalent	CFL 18W

Ordering Data

Model	Watt
WLL463-9LED	9W



TIS WLL464

Application

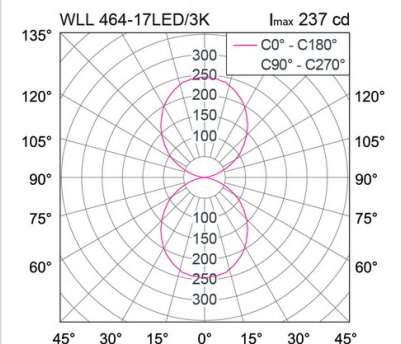
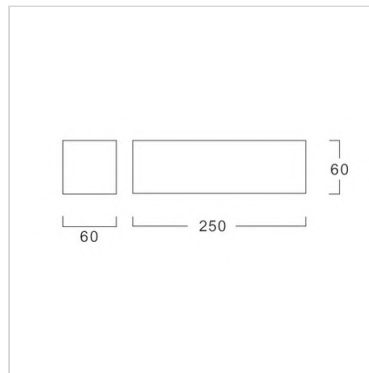
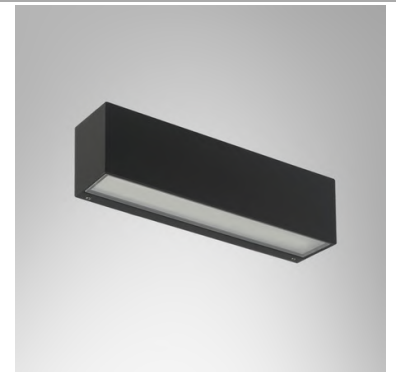
Wall mount luminaire is designed to use for outdoor applications such as walkways, wall illumination, safety applications, etc.

Specification

Housing	Die-cast aluminium
Finishing	Powder coated in black
Lens	Frosted toughened glass
Gasket	Silicone rubber
Dimension	250x60x60 mm.
Mounting	Surface
Power	17W
Light Source	LED Module
Colour Temperature	3000K
Luminaire Output	1180 lm
Beam Angle	Up and Down light, wide beam
Control Gear	Built-in driver
Power Supply	220-240VAC, 50Hz
Insulation Class	I
IP Rating	65
Luminaire Lifetime	30,000 hrs.
Equivalent	CFL 2x18W

Ordering Data

Model	Watt
WLL464-17LED	17W



LED Wall Mount (Outdoor)



TIS WLL465

Application

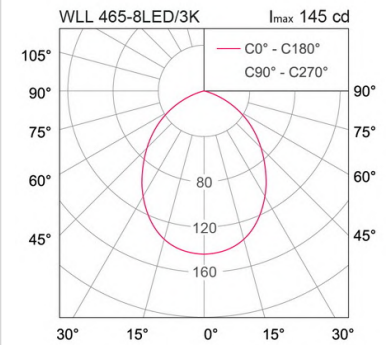
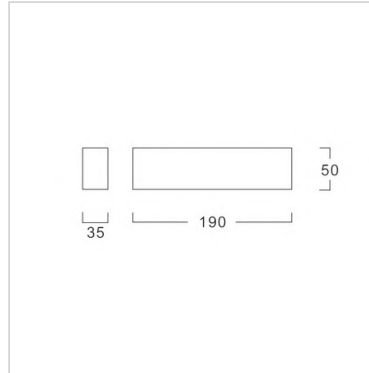
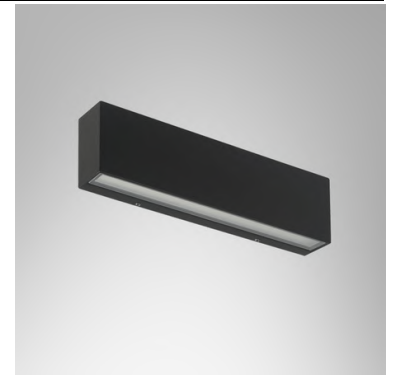
Wall mount luminaire is designed to use for outdoor applications such as walkways, wall illumination, safety applications, etc.

Specification

Housing	Die-cast aluminium
Finishing	Powder coated in black
Lens	Frosted glass
Gasket	Silicone rubber
Dimension	190x35x50 mm.
Mounting	Surface
Power	8W
Light Source	LED Module
Colour Temperature	3000K
Luminaire Output	225 lm
Beam Angle	Down light , wide beam
Control Gear	Built-in driver
Power Supply	220-240VAC,50Hz
Insulation Class	I
IP Rating	65
Luminaire Lifetime	30,000 hrs.
Equivalent	CFL 18W

Ordering Data

Model	Watt
WLL465-8LED	8W



TIS WLL467

Application

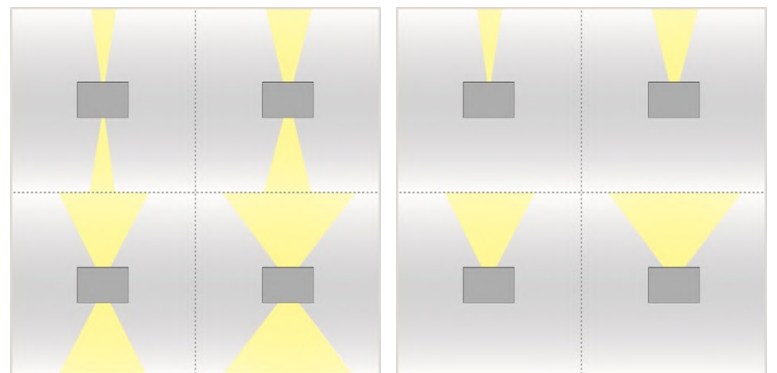
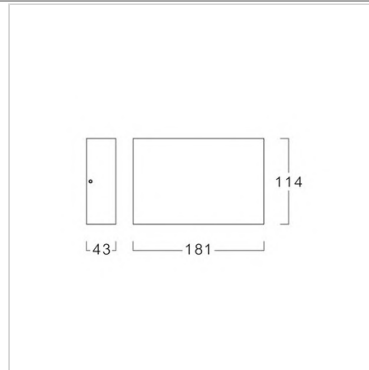
Wall mount luminaire is designed to use for outdoor applications such as walkways, wall illumination, safety applications, etc.

Specification

Housing	Die-cast aluminium
Finishing	Powder coated in black
Lens	Clear toughened glass
Gasket	Silicone rubber
Dimension	181x43x114 mm.
Mounting	Surface
Power	/S : 5W /D : 12W
Light Source	LED-COB
Colour Temperature	3000K
Luminaire Output	440 lm
Beam Angle	Adjustable by sliding front cover
Control Gear	Built-in driver
Power Supply	220-240VAC,50Hz
Insulation Class	I
IP Rating	65
Luminaire Lifetime	30,000 hrs.
Equivalent	/S : CFL 11W /D : CFL 2x11W
Remarks	/S : Single side /D : Double side

Ordering Data

Model	Watt
WLL467/S-5LED	5W
WLL467/D-12LED	12W



LED Wall Mount (Outdoor)



TIS WLL471

Application

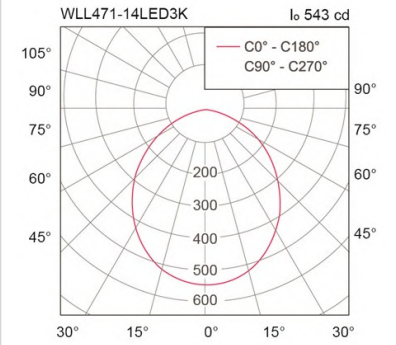
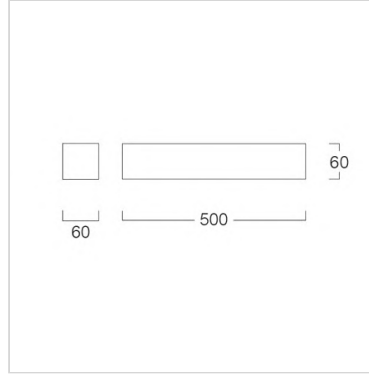
Wall mount luminaire is designed to use for outdoor applications such as walkways, wall illumination, safety applications, etc.

Specification

Housing	Die-cast aluminium
Finishing	Powder coated in black
Lens	Frosted toughened glass
Gasket	Silicone rubber
Dimension	500x60x60 mm.
Mounting	Surface
Power	14W
Light Source	LED Module
Colour Temperature	3000K
Luminaire Output	1290 lm
Beam Angle	Down light, wide beam
Control Gear	Built-in driver
Power Supply	220-240VAC, 50Hz
Insulation Class	I
IP Rating	65
Luminaire Lifetime	30,000 hrs.
Equivalent	CFL 26W

Ordering Data

Model	Watt
WLL471-14LED	14W



TIS WLL472

Application

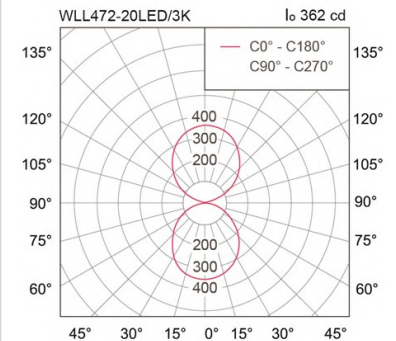
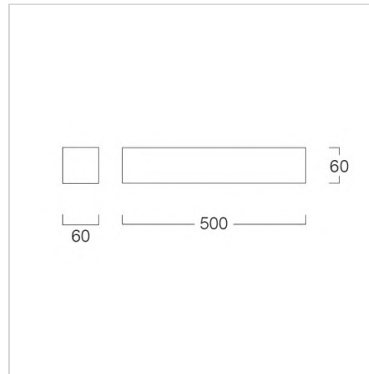
Wall mount luminaire is designed to use for outdoor applications such as walkways, wall illumination, safety applications, etc.

Specification

Housing	Die-cast aluminium
Finishing	Powder coated in black
Lens	Frosted toughened glass
Gasket	Silicone rubber
Dimension	500x60x60 mm.
Mounting	Surface
Power	20W
Light Source	LED Module
Colour Temperature	3000K
Luminaire Output	1700 lm
Beam Angle	Up and Down light, wide beam
Control Gear	Built-in driver
Power Supply	220-240VAC, 50Hz
Insulation Class	I
IP Rating	65
Luminaire Lifetime	30,000 hrs.
Equivalent	CFL 2x26W

Ordering Data

Model	Watt
WLL472-20LED	20W



LED Wall Mount (Outdoor)



TIS WLL443

Application

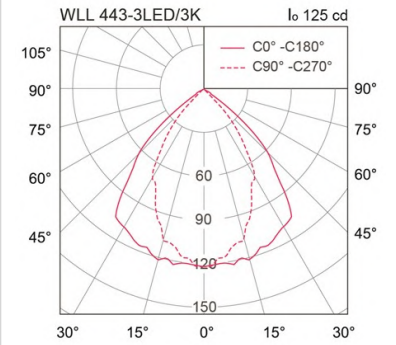
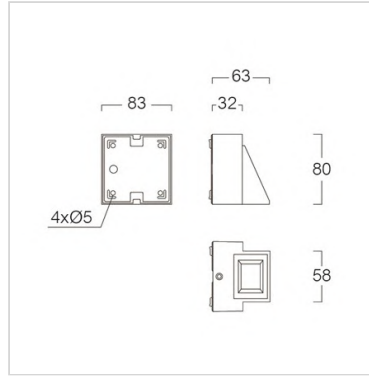
Wall mount luminaire is designed to use for outdoor applications such as walkways, wall illumination, safety applications, etc.

Specification

Housing	Die-cast aluminium
Finishing	Powder coated in black
Reflector	Anodized aluminium
Lens	Clear toughened glass
Gasket	Silicone rubber
Dimension	83x80x63 mm.
Mounting	Surface
Power	3W
Light Source	LED-COB
Colour Temperature	3000K
Luminaire Output	180 lm
Control Gear	Built-in driver
Power Supply	220-240VAC, 50Hz
Insulation Class	I
IP Rating	65
Luminaire Lifetime	30,000 hrs.
Equivalent	PAR16 50W

Ordering Data

Model	Watt
WLL443-3LED	3W



TIS WLL444

Application

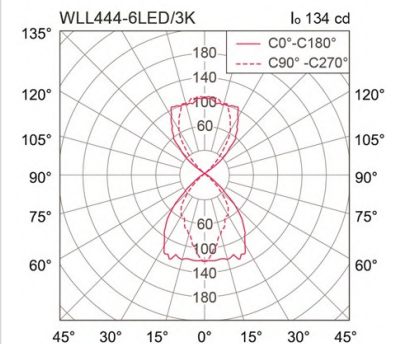
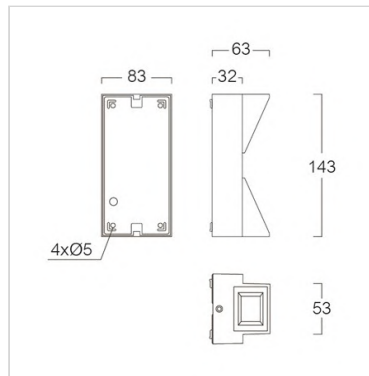
Wall mount luminaire is designed to use for outdoor applications such as walkways, wall illumination, safety applications, etc.

Specification

Housing	Die-cast aluminium
Finishing	Powder coated in black
Reflector	Anodized aluminium
Lens	Clear toughened glass
Gasket	Silicone rubber
Dimension	83x143x63 mm.
Mounting	Surface
Power	6W
Light Source	LED-COB
Colour Temperature	3000K
Luminaire Output	350 lm
Control Gear	Built-in driver
Power Supply	220-240VAC, 50Hz
Insulation Class	I
IP Rating	65
Luminaire Lifetime	30,000 hrs.
Equivalent	PAR16 2x50W

Ordering Data

Model	Watt
WLL444-6LED	6W



LED Wall Mount (Outdoor)



TIS WLL121

Application

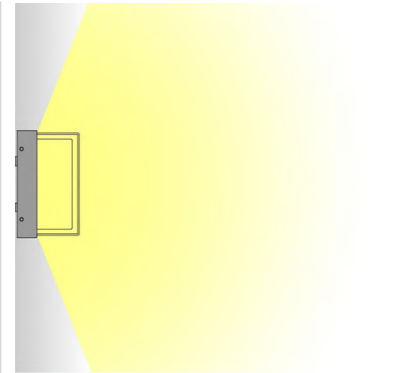
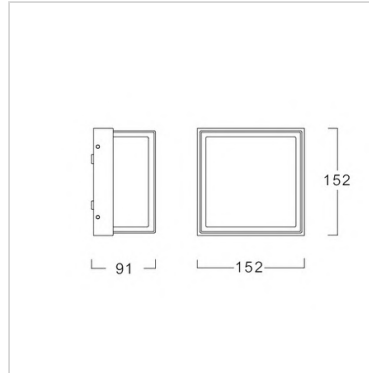
Wall mount luminaire is designed to use for outdoor applications such as walkways, wall illumination, safety applications, etc.

Specification

Housing	Die-cast aluminium
Finishing	Powder coated in black
Lens	Double layer polycarbonate (opalescent + clear)
Gasket	Silicone rubber
Dimension	152x152x91 mm.
Mounting	Surface
Power	10W
Light Source	LED Module
Colour Temperature	3000K
Luminaire Output	620 lm
Beam Angle	Symmetrical wide beam
Control Gear	Built-in driver
Power Supply	220-240VAC, 50Hz
Insulation Class	I
IP Rating	55
Luminaire Lifetime	30,000 hrs.
Equivalent	CFL 18W

Ordering Data

Model	Watt
WLL121-10LED	10W



TIS WLL122

Application

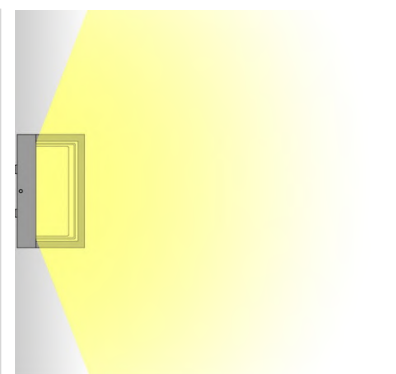
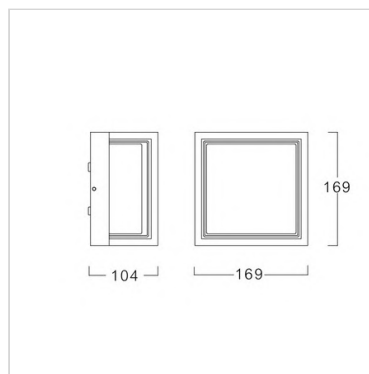
Wall mount luminaire is designed to use for outdoor applications such as walkways, wall illumination, safety applications, etc.

Specification

Housing	Die-cast aluminium
Finishing	Powder coated in black
Lens	Double layer polycarbonate (opalescent + clear)
Gasket	Silicone rubber
Dimension	169x169x104 mm.
Mounting	Surface
Power	10W
Light Source	LED Module
Colour Temperature	3000K
Luminaire Output	550 lm
Beam Angle	Symmetrical wide beam
Control Gear	Built-in driver
Power Supply	220-240VAC, 50Hz
Insulation Class	I
IP Rating	55
Luminaire Lifetime	30,000 hrs.
Equivalent	CFL 18W

Ordering Data

Model	Watt
WLL122-10LED	10W



LED Wall Mount (Outdoor)



TIS WLL123

Application

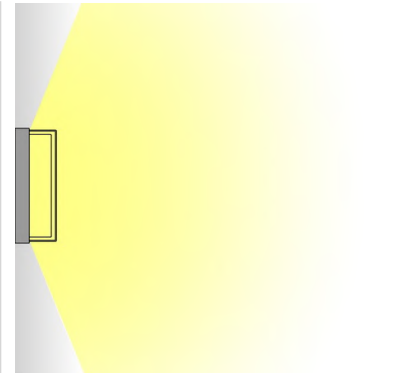
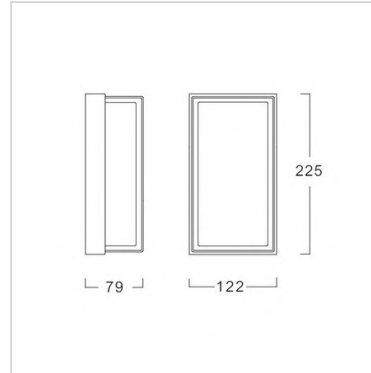
Wall mount luminaire is designed to use for outdoor applications such as walkways, wall illumination, safety applications, etc.

Specification

Housing	Die-cast aluminium
Finishing	Powder coated in black
Lens	Double layer polycarbonate (opalescent + clear)
Gasket	Silicone rubber
Dimension	122x225x79 mm.
Mounting	Surface
Power	10W
Light Source	LED Module
Colour Temperature	3000K
Luminaire Output	570 lm
Beam Angle	Symmetrical wide beam
Control Gear	Built-in driver
Power Supply	220-240VAC, 50Hz
Insulation Class	I
IP Rating	55
Luminaire Lifetime	30,000 hrs.
Equivalent	CFL 18W

Ordering Data

Model	Watt
WLL123-10LED	10W



TIS WLL124

Application

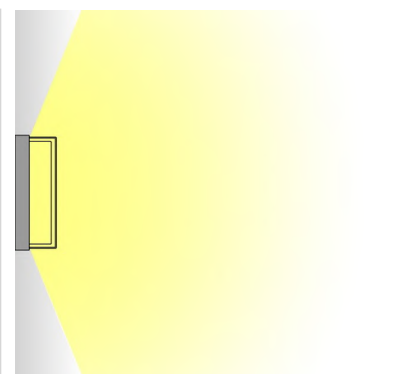
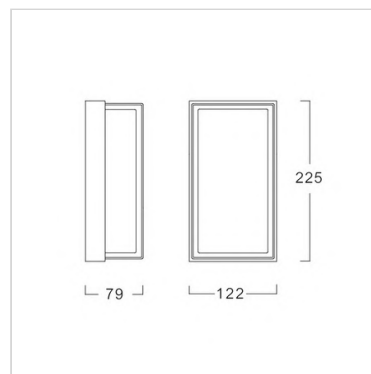
Wall mount luminaire is designed to use for outdoor applications such as walkways, wall illumination, safety applications, etc.

Specification

Housing	Die-cast aluminium
Finishing	Powder coated in black
Lens	Double layer polycarbonate (opalescent + clear)
Gasket	Silicone rubber
Dimension	122x225x79 mm.
Mounting	Surface
Power	10W
Light Source	LED Module
Colour Temperature	3000K
Luminaire Output	500 lm
Beam Angle	Symmetrical wide beam
Control Gear	Built-in driver
Power Supply	220-240VAC, 50Hz
Insulation Class	I
IP Rating	55
Luminaire Lifetime	30,000 hrs.
Equivalent	CFL 18W

Ordering Data

Model	Watt
WLL124-10LED	10W



LED Wall Mount (Outdoor)



TIS WLL125

Application

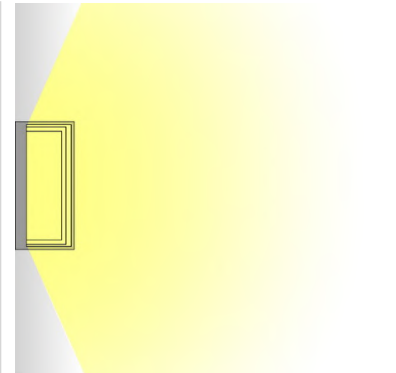
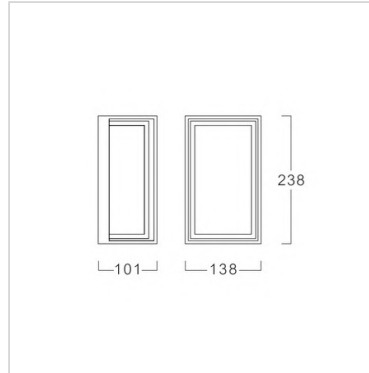
Wall mount luminaire is designed to use for outdoor applications such as walkways, wall illumination, safety applications, etc.

Specification

Housing	Die-cast aluminium
Finishing	Powder coated in black
Lens	Double layer polycarbonate (opalescent + clear)
Gasket	Silicone rubber
Dimension	138x238x101 mm.
Mounting	Surface
Power	10W
Light Source	LED Module
Colour Temperature	3000K
Luminaire Output	590 lm
Beam Angle	Symmetrical wide beam
Control Gear	Built-in driver
Power Supply	220-240VAC, 50Hz
Insulation Class	I
IP Rating	55
Luminaire Lifetime	30,000 hrs.
Equivalent	CFL 18W

Ordering Data

Model	Watt
WLL125-10LED	10W



TIS WLL127

Application

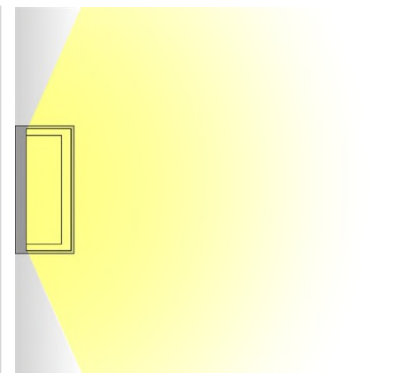
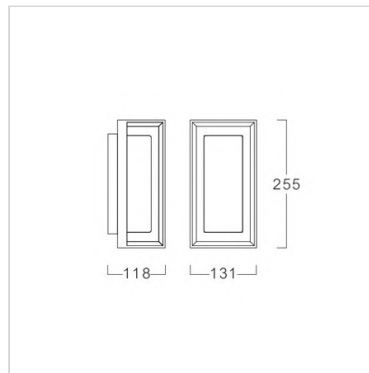
Wall mount luminaire is designed to use for outdoor applications such as walkways, wall illumination, safety applications, etc.

Specification

Housing	Die-cast aluminium
Finishing	Powder coated in black
Lens	Frosted hard glass
Gasket	Silicone rubber
Dimension	131x255x118 mm.
Mounting	Surface
Power	7W
Light Source	LED Module
Colour Temperature	3000K
Luminaire Output	360 lm
Beam Angle	Symmetrical wide beam
Control Gear	Built-in driver
Power Supply	220-240VAC, 50Hz
Insulation Class	I
IP Rating	55
Luminaire Lifetime	30,000 hrs.
Equivalent	CFL 18W

Ordering Data

Model	Watt
WLL127-7LED	7W



LED Wall Mount (Outdoor)



TIS WLL126

Application

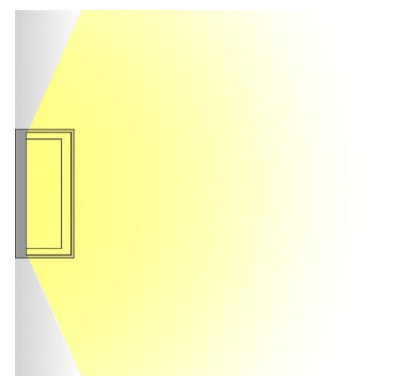
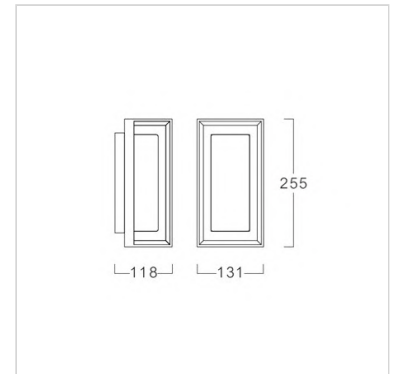
Wall mount luminaire is designed to use for outdoor applications such as walkways, wall illumination, safety applications, etc.

Specification

Housing	Die-cast aluminium
Finishing	Powder coated in black
Lens	Clear hard glass
Gasket	Silicone rubber
Dimension	131x255x118 mm.
Mounting	Surface
Power	7W
Light Source	LED-BULB
Colour Temperature	3000K/6500K
Lamp Output	600 lm
Beam Angle	Symmetrical wide beam
Power Supply	220-240VAC, 50Hz
Insulation Class	I
IP Rating	55
Lamp Lifetime	25,000 hrs.
Equivalent	CFL 18W

Ordering Data

Model	Watt
WLL126-E27	7W



LED Wall Mount (Outdoor)



TIS WLL128

Application

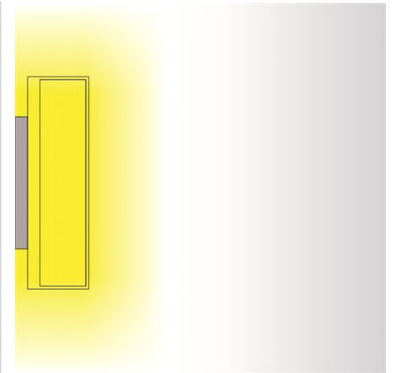
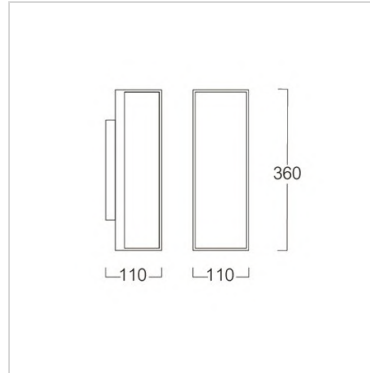
Wall mount luminaire is designed to use for outdoor applications such as walkways, wall illumination, safety applications, etc.

Specification

Housing	Die-cast aluminium with stone plastic composite wood board
Finishing	Powder coated in black
Lens	Opal polycarbonate
Gasket	Silicone rubber
Dimension	110x360x110 mm.
Mounting	Surface
Power	9W
Light Source	LED Module
Colour Temperature	3000K
Luminaire Output	300 lm
Beam Angle	Symmetrical wide beam
Control Gear	Built-in driver
Power Supply	220-240VAC, 50Hz
Insulation Class	I
IP Rating	54
Luminaire Lifetime	30,000 hrs.
Equivalent	CFL 18W

Ordering Data

Model	Watt
WLL128-9LED	9W



TIS WLL129

Application

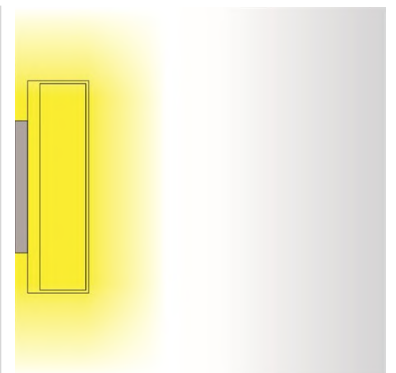
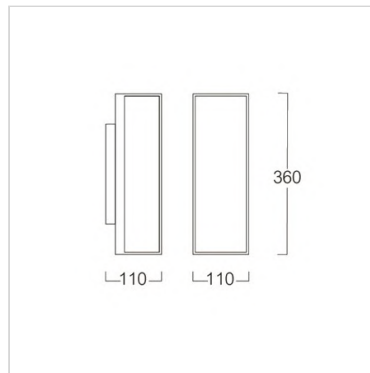
Wall mount luminaire is designed to use for outdoor applications such as walkways, wall illumination, safety applications, etc.

Specification

Housing	Die-cast aluminium with stone plastic composite cement board
Finishing	Powder coated in black
Lens	Opal polycarbonate
Gasket	Silicone rubber
Dimension	110x360x110 mm.
Mounting	Surface
Power	9W
Light Source	LED Module
Colour Temperature	3000K
Luminaire Output	300 lm
Beam Angle	Symmetrical wide beam
Control Gear	Built-in driver
Power Supply	220-240VAC, 50Hz
Insulation Class	I
IP Rating	54
Luminaire Lifetime	30,000 hrs.
Equivalent	CFL 18W

Ordering Data

Model	Watt
WLL129-9LED	9W



LED Wall Mount (Outdoor)



TIS WLL103

Application

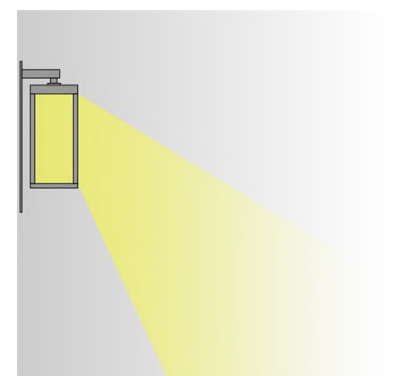
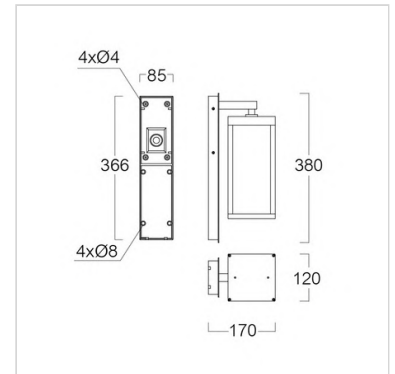
Wall mount luminaire is designed to use for outdoor applications such as walkways, wall illumination, safety applications, etc.

Specification

Housing	Die-cast aluminium
Finishing	Powder coated in black
Lens	Frosted hard glass
Gasket	Silicone rubber
Dimension	170x380x120 mm.
Mounting	Surface
Power	10W
Light Source	LED Module
Colour Temperature	3000K
Beam Angle	Symmetrical wide beam
Control Gear	Built-in driver
Power Supply	220-240VAC, 50Hz
Insulation Class	I
IP Rating	55
Luminaire Lifetime	30,000 hrs.
Equivalent	CFL 18W

Ordering Data

Model	Watt
WLL103-10LED	10W



LED Wall Mount (Outdoor)



TIS WLL160

Application

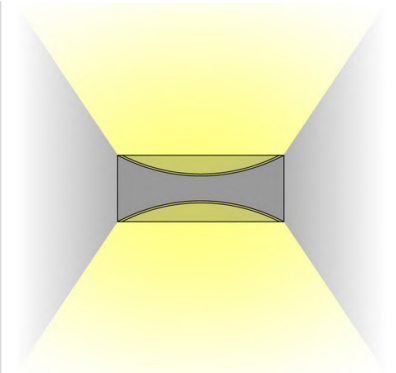
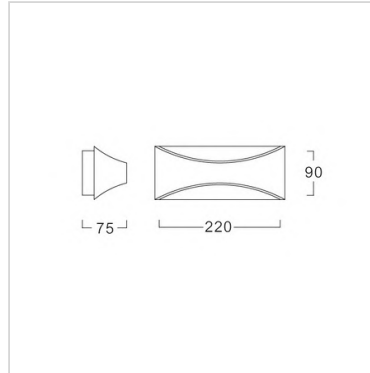
Wall mount luminaire is designed to use for outdoor applications such as walkways, wall illumination, safety applications, etc.

Specification

Housing	Die-cast aluminium
Finishing	Powder coated in black/white
Lens	Opalescent polycarbonate
Gasket	Silicone rubber
Dimension	90x220x75 mm.
Mounting	Surface
Power	6W
Light Source	LED-COB
Colour Temperature	3000K
Luminaire Output	245 lm
Beam Angle	Up and Down light, wide beam
Control Gear	Built-in driver
Power Supply	220-240VAC, 50Hz
Insulation Class	I
IP Rating	55
Luminaire Lifetime	30,000 hrs.
Equivalent	CFL 13W

Ordering Data

Model	Watt
WLL160-6LED	6W



TIS WLL161

Application

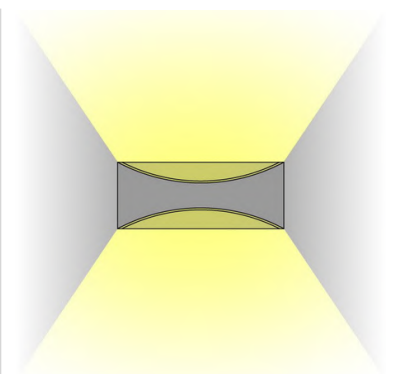
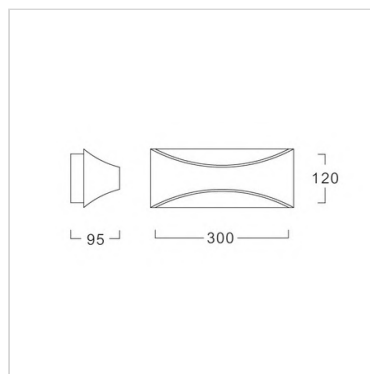
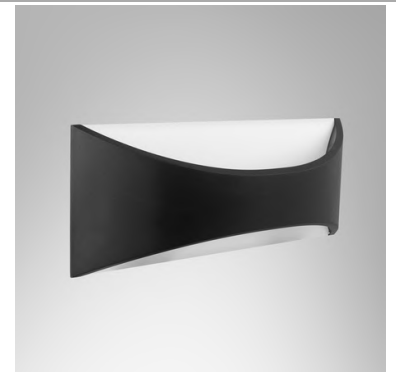
Wall mount luminaire is designed to use for outdoor applications such as walkways, wall illumination, safety applications, etc.

Specification

Housing	Die-cast aluminium
Finishing	Powder coated in black/white
Lens	Opalescent polycarbonate
Gasket	Silicone rubber
Dimension	120x300x95 mm.
Mounting	Surface
Power	9W
Light Source	LED-COB
Colour Temperature	3000K
Luminaire Output	335 lm
Beam Angle	Up and Down light, wide beam
Control Gear	Built-in driver
Power Supply	220-240VAC, 50Hz
Insulation Class	I
IP Rating	55
Luminaire Lifetime	30,000 hrs.
Equivalent	CFL 18W

Ordering Data

Model	Watt
WLL161-9LED	9W



LED Wall Mount (Outdoor)



TIS WLL320

Application

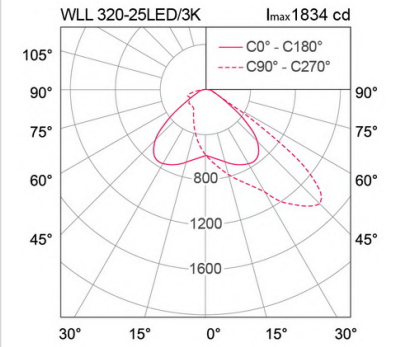
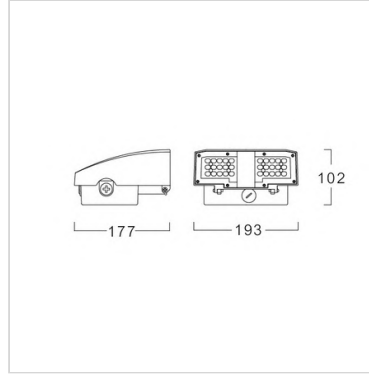
Wall mount luminaire is designed to use for outdoor applications such as walkways, wall illumination, safety applications, etc.

Specification

Housing	Die-cast aluminium
Finishing	Powder coated in black
Lens	Polycarbonate
Gasket	Silicone rubber
Dimension	177x193x102 mm.
Mounting	Surface
Power	25W
Light Source	LED Module
Colour Temperature	3000/5000K
Luminaire Output	2375 lm
Beam Angle	Asymmetrical wide beam
Control Gear	Built-in driver
Power Supply	220-240VAC, 50Hz
Insulation Class	I
IP Rating	55
Luminaire Lifetime	50,000 hrs.
Equivalent	MH 70W

Ordering Data

Model	Watt
WLL320-25LED	25W



TIS WLL321

Application

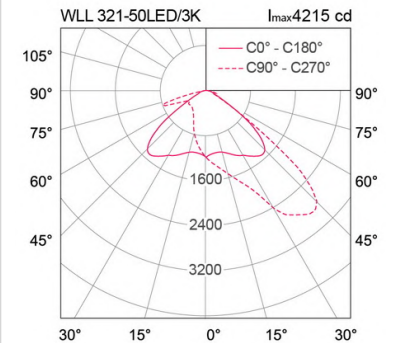
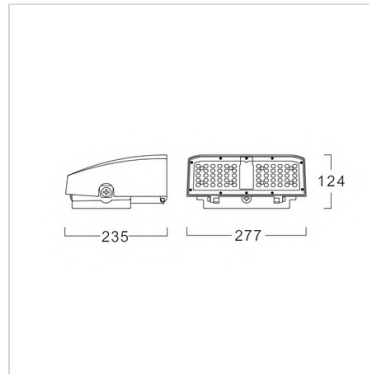
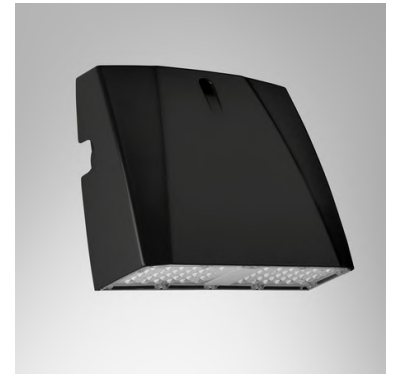
Wall mount luminaire is designed to use for outdoor applications such as walkways, wall illumination, safety applications, etc.

Specification

Housing	Die-cast aluminium
Finishing	Powder coated in black
Lens	Polycarbonate
Gasket	Silicone rubber
Dimension	235x277x124 mm.
Mounting	Surface
Power	50W
Light Source	LED Module
Colour Temperature	3000/5000K
Luminaire Output	5000 lm
Beam Angle	Asymmetrical wide beam
Control Gear	Built-in driver
Power Supply	220-240VAC, 50Hz
Insulation Class	I
IP Rating	55
Luminaire Lifetime	50,000 hrs.
Equivalent	MH 150W

Ordering Data

Model	Watt
WLL321-50LED	50W



LED Wall Mount (Outdoor)



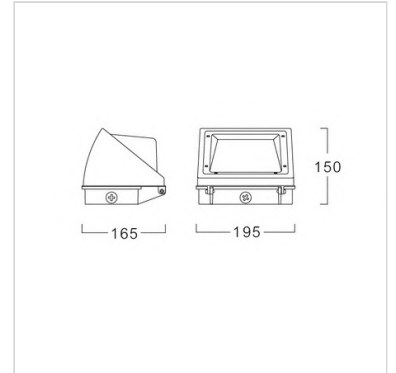
TIS WLL330

Application

Wall mount luminaire is designed to use for outdoor applications such as walkways, wall illumination, safety applications, etc.

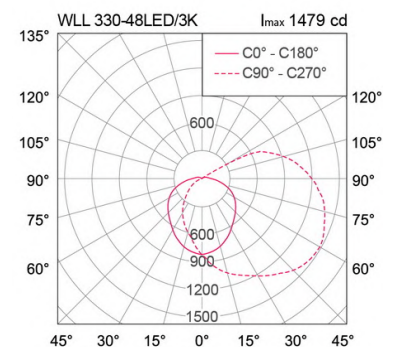
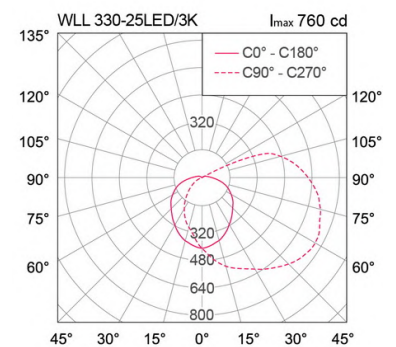
Specification

Housing	Die-cast aluminium
Finishing	Powder coated in black
Lens	Frosted polycarbonate
Gasket	Silicone rubber
Dimension	165x195x150 mm.
Mounting	Surface
Power	25/48W
Light Source	LED Module
Colour Temperature	3000/5000K
Luminaire Output	25W : 2250 lm 48W : 4560 lm
Beam Angle	Asymmetrical wide beam
Control Gear	Built-in driver
Power Supply	220-240VAC, 50Hz
Insulation Class	I
IP Rating	55
Luminaire Lifetime	50,000 hrs.
Equivalent	25W : MH 70W 48W : MH 150W



Ordering Data

Model	Watt
WLL330-48LED	48W



LED Wall Mount (Outdoor)



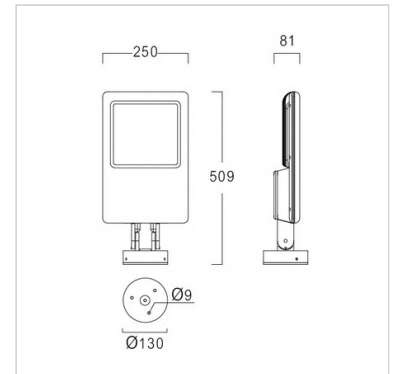
TIS WLL435

Application

Wall mount luminaire is designed to use for outdoor applications such as walkways, wall illumination, safety applications, etc.

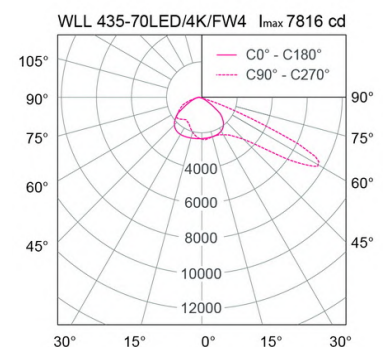
Specification

Housing	Die-cast aluminium
Front Cover	Clear toughened glass
Finishing	Powder coated in grey
Lens	Acrylic (PMMA)
Gasket	Silicone rubber
Dimension	250x509x130 mm.
Mounting	Surface
Power	55/70/105W
Light Source	LED Module
Colour Temperature	3000/4000/5700K
Luminaire Output	55W : 6875 lm (SL8), 6600 lm (FW4) 70W : 8750 lm (SL8), 8400 lm (FW4) 105W : 13125 lm (SL8), 12600 lm (FW4)
Beam Angle	Street lighting distribution : SL8 Forward throw distribution : FW4
Control Gear	Built-in driver
Power Supply	220-240VAC, 50Hz
Power Factor	>0.95
Insulation Class	I
IP Rating	66
Luminaire Lifetime	50,000 hrs.
Equivalent	55W : MH 100W 70W : MH 150W 105W : MH 250W



Ordering Data

Model	Watt
WLL435-55LED	55W
WLL435-70LED	70W
WLL435-105LED	105W



LED Wall Mount (Outdoor)



TIS WLL436

Application

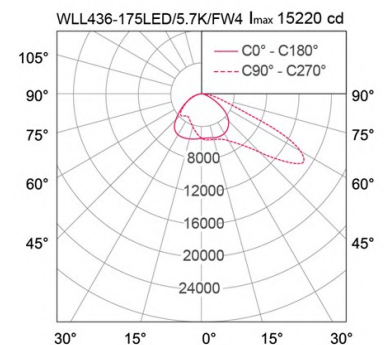
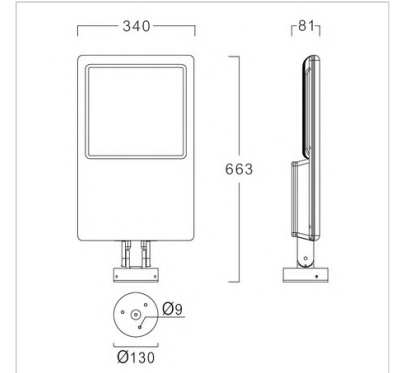
Wall mount luminaire is designed to use for outdoor applications such as walkways, wall illumination, safety applications, etc.

Specification

Housing	Die-cast aluminium
Front Cover	Clear toughened glass
Finishing	Powder coated in grey
Lens	Acrylic (PMMA)
Gasket	Silicone rubber
Dimension	340x663x81 mm.
Mounting	Surface
Power	175W
Light Source	LED Module
Colour Temperature	3000/4000/5700K
Luminaire Output	20125 lm
Beam Angle	Forward throw distribution : FW4
Control Gear	Built-in driver
Power Supply	220-240VAC, 50Hz
Power Factor	>0.95
Insulation Class	I
IP Rating	66
Luminaire Lifetime	50,000 hrs.
Equivalent	MH 400W

Ordering Data

Model	Watt
WLL436-175LED	175W



LED Wall Mount (Outdoor)



TIS WLL710

Application

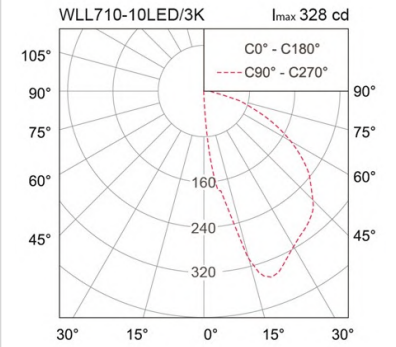
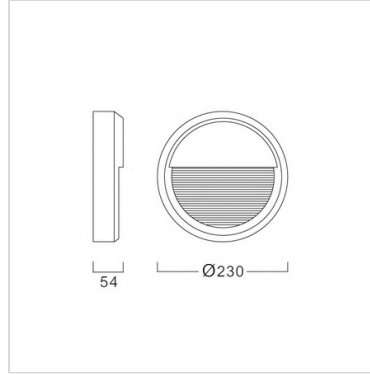
Wall mount luminaire is designed to use for outdoor applications such as walkways, wall illumination, safety applications, etc.

Specification

Housing	Die-cast aluminium
Finishing	Powder coated in black or graphite
Lens	Clear polycarbonate
Gasket	Silicone rubber
Dimension	Dia.230x54 mm.
Mounting	Surface
Power	10W
Light Source	LED Module
Colour Temperature	3000/4000K
Luminaire Output	370 lm
Beam Angle	Asymmetrical wide beam
Control Gear	Built-in driver
Power Supply	220-240VAC,50Hz
Insulation Class	I
IP Rating	65
Luminaire Lifetime	30,000 hrs.
Equivalent	CFL 18W

Ordering Data

Model	Watt
WLL710-10LED	10W



TIS WLL711

Application

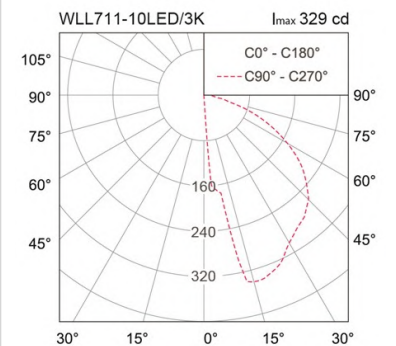
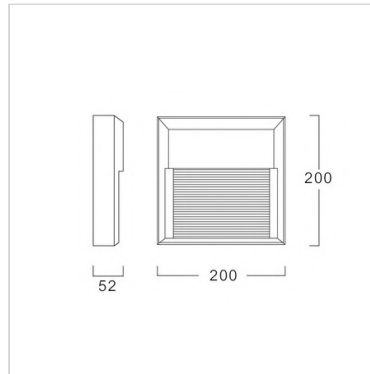
Wall mount luminaire is designed to use for outdoor applications such as walkways, wall illumination, safety applications, etc.

Specification

Housing	Die-cast aluminium
Finishing	Powder coated in black or graphite
Lens	Clear polycarbonate
Gasket	Silicone rubber
Dimension	200x200x52 mm.
Mounting	Surface
Power	10W
Light Source	LED Module
Colour Temperature	3000/4000K
CRI	80
Luminaire Output	370 lm
Beam Angle	Asymmetrical wide beam
Control Gear	Built-in driver
Power Supply	220-240VAC,50Hz
Insulation Class	I
IP Rating	65
Luminaire Lifetime	30,000 hrs.
Equivalent	CFL 18W

Ordering Data

Model	Watt
WLL711-10LED	10W



LED Wall Mount (Outdoor)



TIS WLL712

Application

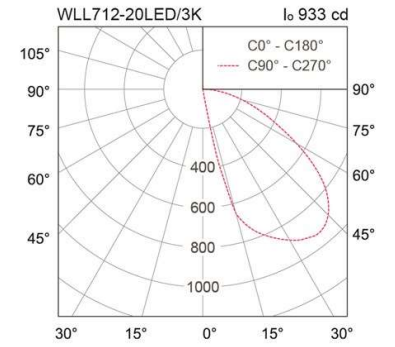
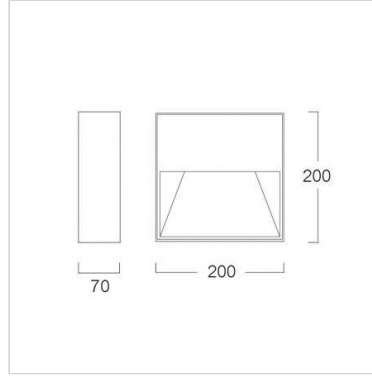
Wall mount luminaire is designed to use for outdoor applications such as walkways, wall illumination, safety applications, etc.

Specification

Housing	Die-cast aluminium
Finishing	Powder coated in black
Lens	Frosted polycarbonate
Gasket	Silicone rubber
Dimension	200x200x70 mm.
Mounting	Surface
Power	20W
Light Source	LED Module
Colour Temperature	3000K
CRI	80
Luminaire Output	1100 lm
Beam Angle	Asymmetrical wide beam
Control Gear	Built-in driver
Power Supply	220-240VAC, 50Hz
Insulation Class	I
IP Rating	66
Luminaire Lifetime	30,000 hrs.
Equivalent	CFL 2x18W

Ordering Data

Model	Watt
WLL712-20LED	20W



TIS WLL713

Application

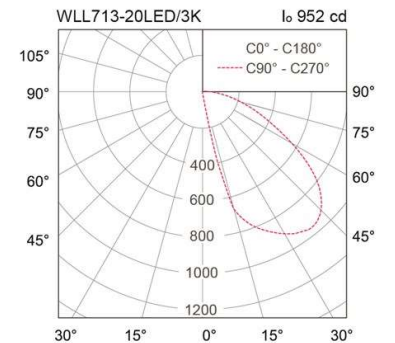
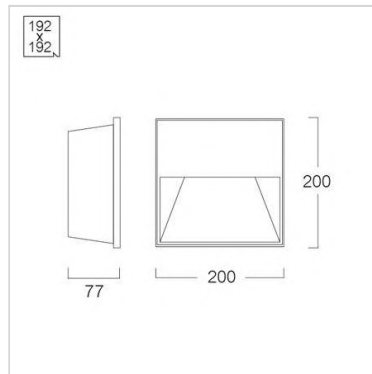
Wall mount luminaire is designed to use for outdoor applications such as walkways, wall illumination, safety applications, etc.

Specification

Housing	Die-cast aluminium
Finishing	Powder coated in black
Lens	Frosted polycarbonate
Gasket	Silicone rubber
Dimension	200x200x77 mm.
Cut Out	192x192x95 mm.
Mounting	Recessed in block out made of polypropylene
Power	20W
Light Source	LED Module
Colour Temperature	3000K
CRI	80
Luminaire Output	1100 lm
Beam Angle	Asymmetrical wide beam
Control Gear	Built-in driver
Power Supply	220-240VAC, 50Hz
Insulation Class	I
IP Rating	66
Luminaire Lifetime	30,000 hrs.
Equivalent	CFL 2x18W

Ordering Data

Model	Watt
WLL713-20LED	20W



LED Wall Mount (Outdoor)



TIS WLL621

Application

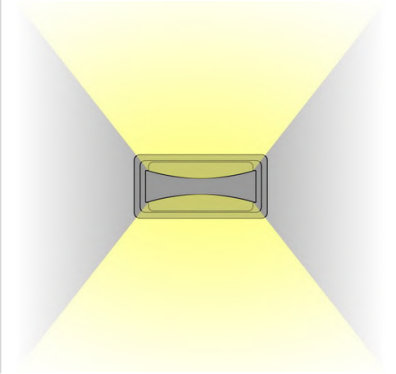
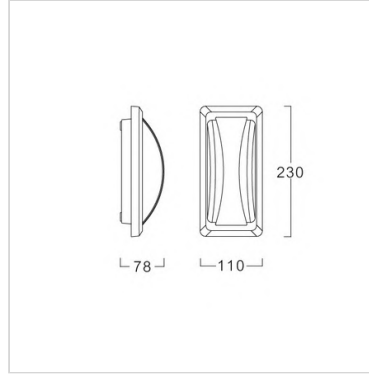
Wall mount luminaire is designed to use for outdoor applications such as walkways, wall illumination, safety applications, etc.

Specification

Housing	Polycarbonate and ABS.
Finishing	Black color
Lens	Opalescent polycarbonate
Gasket	Silicone rubber
Dimension	110x230x78 mm.
Mounting	Surface
Power	10W
Light Source	LED Module
Colour Temperature	3000K
Luminaire Output	550 lm
Beam Angle	Up and Down light, wide beam
Control Gear	Built-in driver
Power Supply	220-240VAC, 50Hz
Insulation Class	I
IP Rating	55
Luminaire Lifetime	30,000 hrs.
Equivalent	CFL 18W

Ordering Data

Model	Watt
WLL621-10LED	10W



TIS WLL622

Application

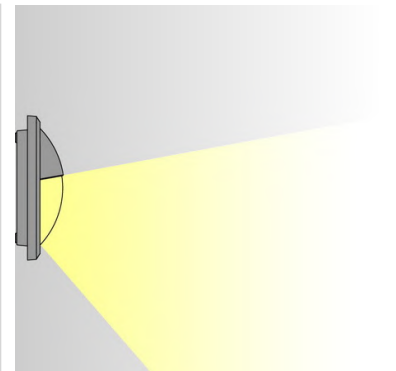
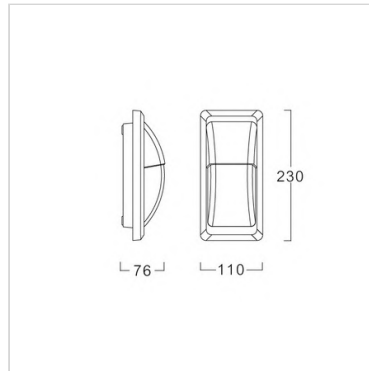
Wall mount luminaire is designed to use for outdoor applications such as walkways, wall illumination, safety applications, etc.

Specification

Housing	Polycarbonate and ABS.
Finishing	Black color
Lens	Opalescent polycarbonate
Gasket	Silicone rubber
Dimension	110x230x76 mm.
Mounting	Surface
Power	10W
Light Source	LED Module
Colour Temperature	3000K
Luminaire Output	510 lm
Beam Angle	Asymmetrical wide beam
Control Gear	Built-in driver
Power Supply	220-240VAC, 50Hz
Insulation Class	I
IP Rating	55
Luminaire Lifetime	30,000 hrs.
Equivalent	CFL 18W

Ordering Data

Model	Watt
WLL622-10LED	10W



LED Post Top

PTL200

Application

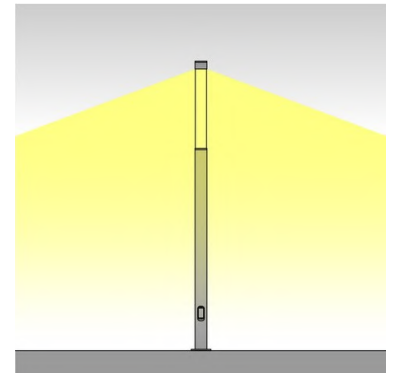
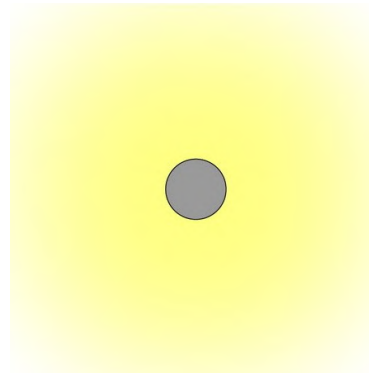
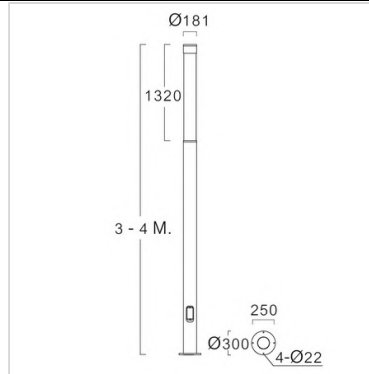
Post-top luminaire is designed to use for public or private areas such as hotels, houses, gardens, parks, walkways, etc.

Specification

Housing	Die-cast and extruded aluminium
Finishing	Powder coated in black
Diffuser	Opalescent acrylic
Gasket	Silicone rubber
Dimension	Dia. 181x3000-4000 mm.
Mounting	Surface
Power	48W
Light Source	LED-T8
Colour Temperature	3000/4000K
Beam Angle	Symmetrical wide beam
Control Gear	Built-in driver
Power Supply	220-240VAC, 50Hz
Power Factor	>0.95
Insulation Class	I
IP Rating	55
Lamp Lifetime	40,000 hrs.
Equivalent	T8 3x36W

Ordering Data

Model	Watt
PTL200-48LED	48W



PTL214

Application

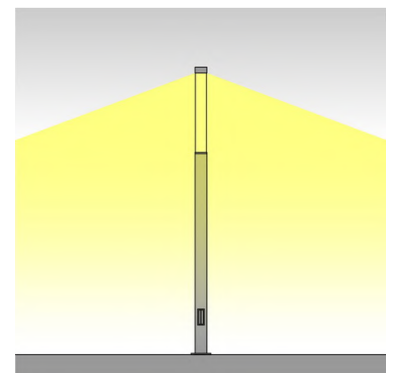
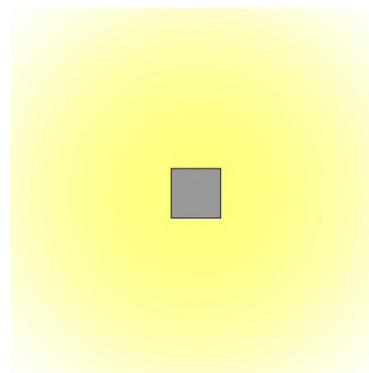
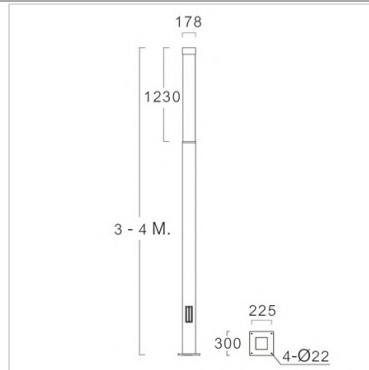
Post-top luminaire is designed to use for public or private areas such as hotels, houses, gardens, parks, walkways, etc.

Specification

Housing	Die-cast and extruded aluminium
Finishing	Powder coated in black
Diffuser	Opalescent acrylic
Gasket	Silicone rubber
Dimension	178x178x3000-4000 mm.
Mounting	Surface
Power	64W
Light Source	LED-T8
Colour Temperature	3000/4000K
Beam Angle	Symmetrical wide beam
Control Gear	Built-in driver
Power Supply	220-240VAC, 50Hz
Power Factor	>0.95
Insulation Class	I
IP Rating	55
Lamp Lifetime	40,000 hrs.
Equivalent	T8 4x36W

Ordering Data

Model	Watt
PTL214-64LED	64W



LED Post Top

PTP203/LED

Application

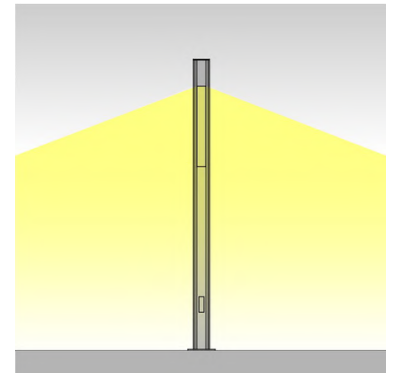
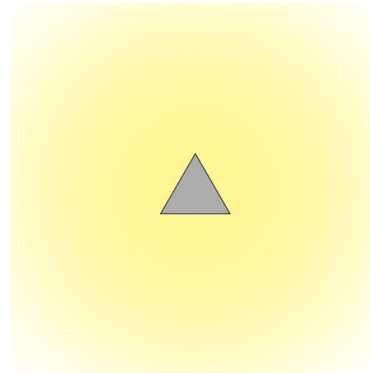
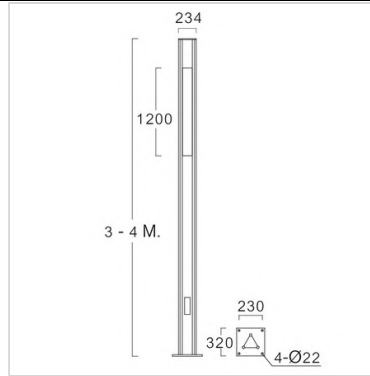
Post-top luminaire is designed to use for public or private areas such as hotels, houses, gardens, parks, walkways, etc.

Specification

Housing	Die-cast and extruded aluminium
Finishing	Powder coated in black
Diffuser	Opalescent PMMA
Gasket	Silicone rubber
Dimension	234x234x3000-4000 mm.
Mounting	Surface
Power	48W
Light Source	LED-T8
Colour Temperature	3000/4000K
Beam Angle	Symmetrical wide beam
Control Gear	Built-in driver
Power Supply	220-240VAC, 50Hz
Power Factor	>0.95
Insulation Class	I
IP Rating	55
Lamp Lifetime	40,000 hrs.
Equivalent	T8 3x36W

Ordering Data

Model	Watt
PTP203-48LED-3M	48W
PTP203-48LED-4M	48W



PTP204/LED

Application

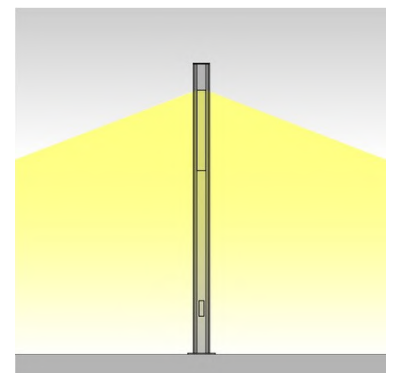
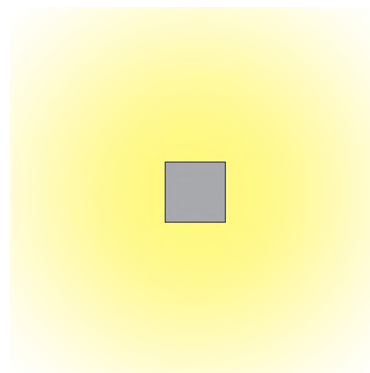
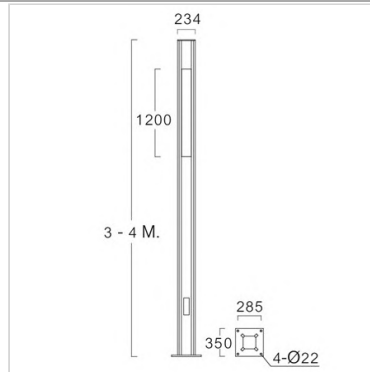
Post-top luminaire is designed to use for public or private areas such as hotels, houses, gardens, parks, walkways, etc.

Specification

Housing	Die-cast and extruded aluminium
Finishing	Powder coated in black
Diffuser	Opalescent PMMA
Gasket	Silicone rubber
Dimension	234x234x3000-4000 mm.
Mounting	Surface
Power	64W
Light Source	LED-T8
Colour Temperature	3000/4000K
Beam Angle	Symmetrical wide beam
Control Gear	Built-in driver
Power Supply	220-240VAC, 50Hz
Power Factor	>0.95
Insulation Class	I
IP Rating	55
Lamp Lifetime	40,000 hrs.
Equivalent	T8 4x36W

Ordering Data

Model	Watt
PTP204-64LED-3M	64W
PTP204-64LED-4M	64W



LED Post Top



TIS PTL252

Application

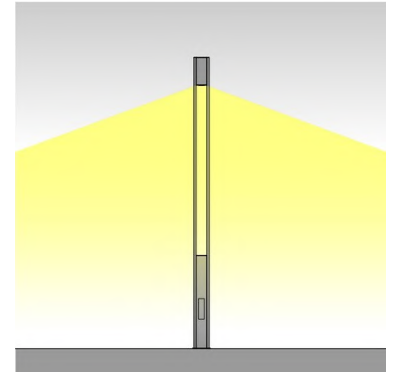
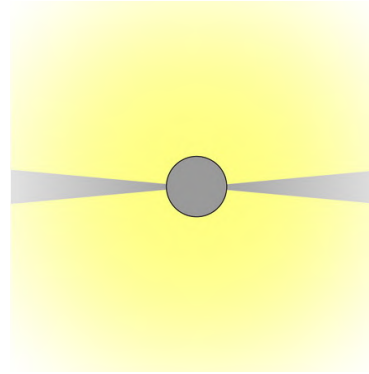
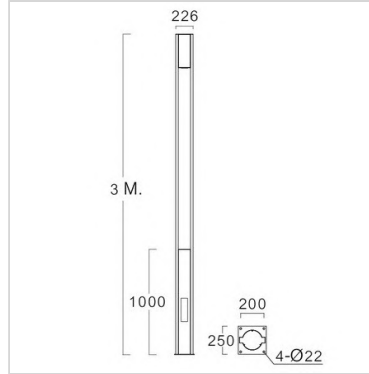
Post-top luminaire is designed to use for public or private areas such as hotels, houses, gardens, parks, walkways, etc.

Specification

Housing	Die-cast and extruded aluminium
Finishing	Powder coated in black
Lens	Opalescent polycarbonate
Gasket	Silicone rubber
Dimension	226x190x3000 mm.
Mounting	Surface
Power	28W
Light Source	LED Module
Colour Temperature	3000/5000K
Luminaire Output	1680 lm
Beam Angle	120 degree
Control Gear	Built-in driver
Power Supply	220-240VAC, 50Hz
Power Factor	>0.9
Insulation Class	I
IP Rating	65
Luminaire Lifetime	50,000 hrs.
Equivalent	MH 70W

Ordering Data

Model	Watt
PTL252-28LED-3M	28W



TIS PTL244

Application

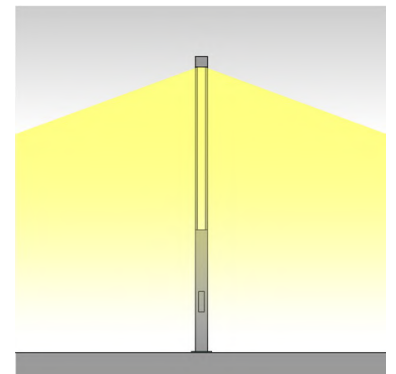
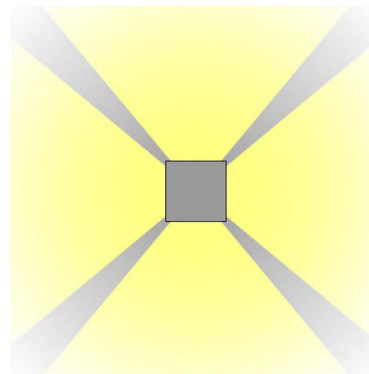
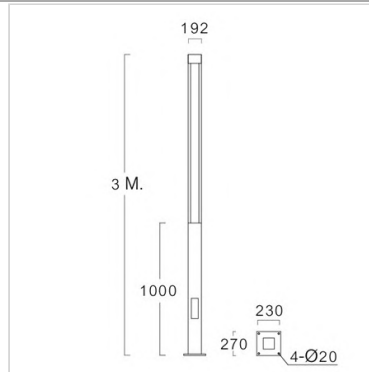
Post-top luminaire is designed to use for public or private areas such as hotels, houses, gardens, parks, walkways, etc.

Specification

Housing	Extruded aluminium
Finishing	Powder coated in black
Lens	Clear toughened glass
Gasket	Silicone rubber
Dimension	192x192x3000 mm.
Mounting	Surface
Power	40W
Light Source	LED-COB
Colour Temperature	3000K
Beam Angle	Symmetrical medium beam
Control Gear	Built-in driver
Power Supply	220-240VAC, 50Hz
Power Factor	>0.95
Insulation Class	I
IP Rating	55
Luminaire Lifetime	50,000 hrs.
Equivalent	MH 70W

Ordering Data

Model	Watt
PTL244-40LED	40W



LED Post Top



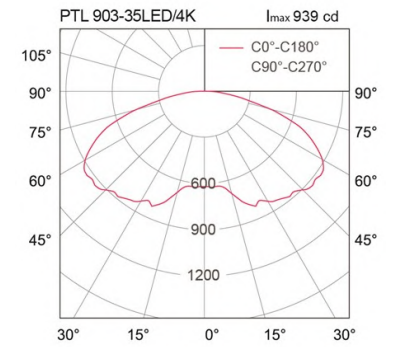
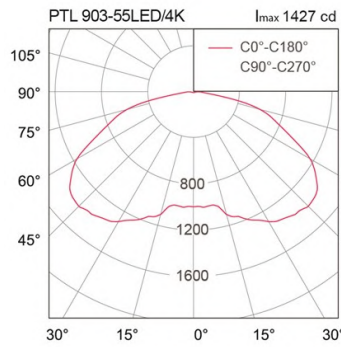
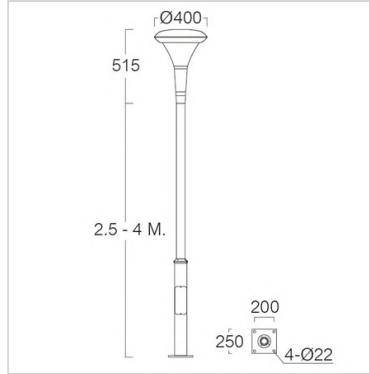
PTL903

Application

Post-top luminaire is designed to use for public or private areas such as hotels, houses, gardens, parks, walkways, etc.

Specification

Housing	Die-cast aluminium with zinc coated steel pole
Finishing	Powder coated in black
Diffuser	Prismatic glass
Gasket	Silicone rubber
Dimension	Luminaire : Dia.400x515 mm. Pole : Dia.114/76 mm., H2500-4000 mm.
Mounting	Surface
Power	35/55W
Light Source	LED Module
Colour Temperature	4000/5700K
Luminaire Output	35W : 3675 lm 55W : 5775 lm
Beam Angle	Symmetrical wide beam
Control Gear	Built-in driver
Power Supply	220-240VAC,50Hz
Power Factor	>0.95
Insulation Class	I
IP Rating	55
Luminaire Lifetime	50,000 hrs.
Equivalent	35W : MH 70W 55W : MH 150W



Ordering Data

Model	Watt
PTL903-35LED	35W
PTL903-55LED	55W

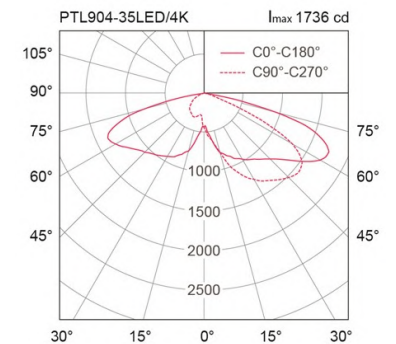
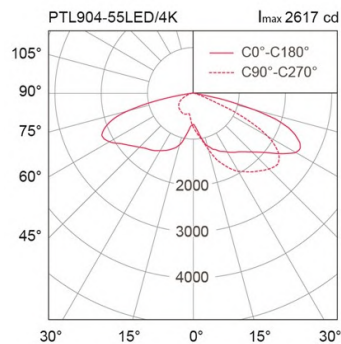
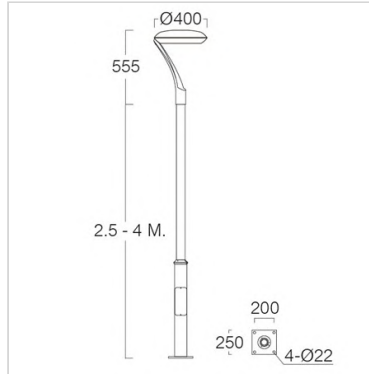
PTL904

Application

Post-top luminaire is designed to use for public or private areas such as hotels, houses, gardens, parks, walkways, etc.

Specification

Housing	Die-cast aluminium with zinc coated steel pole
Finishing	Powder coated in black
Lens	Clear toughened glass
Gasket	Silicone rubber
Dimension	Luminaire : Dia.400x555 mm. Pole : Dia.114/76 mm., H2500-4000 mm.
Mounting	Surface
Power	35/55W
Light Source	LED Module
Colour Temperature	4000/5700K
Luminaire Output	35W : 4200 lm 55W : 6600 lm
Beam Angle	Streetlight distribution (Type II)
Control Gear	Built-in driver
Power Supply	220-240VAC,50Hz
Power Factor	>0.95
Insulation Class	I
IP Rating	55
Luminaire Lifetime	50,000 hrs.
Equivalent	35W : MH 70W 55W : MH150W



Ordering Data

Model	Watt
PTL904-35LED	35W
PTL904-55LED	55W

LED Post Top



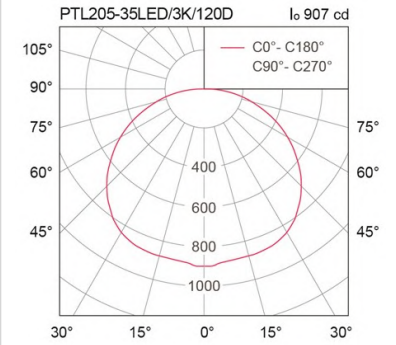
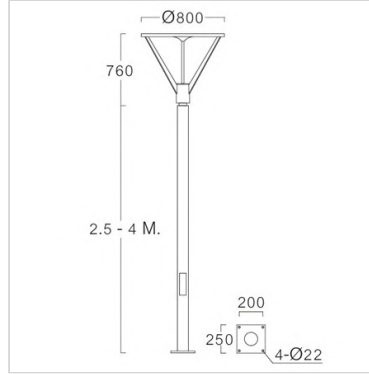
PTL205

Application

Post-top luminaire is designed to use for public or private areas such as hotels, houses, gardens, parks, walkways, etc.

Specification

Housing	Die-cast and die-formed aluminium with zinc coated steel pole
Finishing	Powder coated in grey
Lens	Clear toughened glass
Gasket	Silicone rubber
Dimension	Luminaire : Dia.800x760 mm. Pole : Dia.114x2500-4000 mm.
Mounting	Surface
Power	35W
Light Source	LED-COB
Colour Temperature	3000K
Luminaire Output	2450 lm
Beam Angle	Symmetrical wide beam
Control Gear	Built-in driver
Power Supply	220-240VAC,50Hz
Power Factor	>0.95
Insulation Class	I
IP Rating	66
Luminaire Lifetime	50,000 hrs.
Equivalent	MH 70W



Ordering Data

Model	Watt
PTL205-35LED	35W

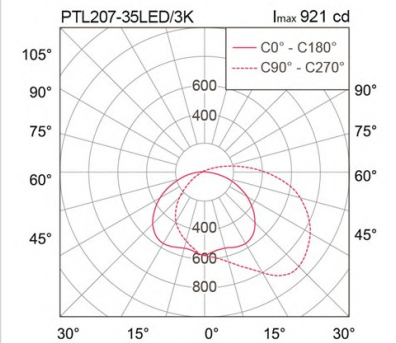
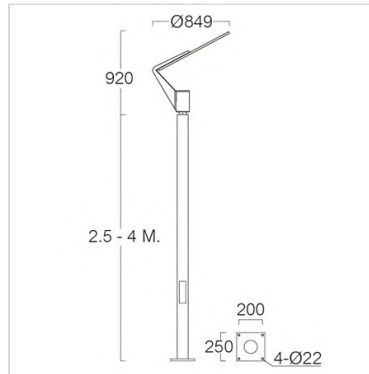
PTL207

Application

Post-top luminaire is designed to use for public or private areas such as hotels, houses, gardens, parks, walkways, etc.

Specification

Housing	Die-cast and die-formed aluminium with zinc coated steel pole
Finishing	Powder coated in grey
Lens	Clear toughened glass
Gasket	Silicone rubber
Dimension	Luminaire : Dia.849x920 mm. Pole : Dia.114x2500-4000 mm.
Mounting	Surface
Power	35W
Light Source	LED-COB
Colour Temperature	3000K
Luminaire Output	2450 lm
Beam Angle	Asymmetrical beam
Control Gear	Built-in driver
Power Supply	220-240VAC,50Hz
Power Factor	>0.95
Insulation Class	I
IP Rating	55
Luminaire Lifetime	50,000 hrs.
Equivalent	MH 70W



Ordering Data

Model	Watt
PTL207-35LED	35W

LED Post Top



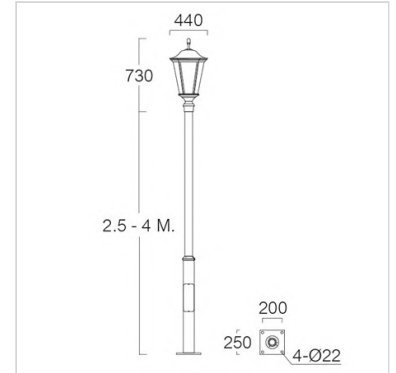
TIS PTL120

Application

Post-top luminaire is designed to use for public or private areas such as hotels, houses, gardens, parks, walkways, etc.

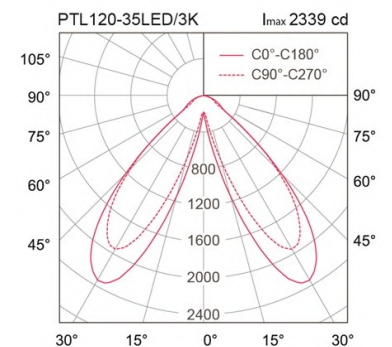
Specification

Housing	Die-cast aluminium with zinc coated steel pole
Finishing	Powder coated in black
Lens	Frost glass
Gasket	Silicone rubber
Dimension	Luminaire : Dia.440x730 mm. Pole : Dia.114/76 mm., H2500-4000 mm.
Mounting	Surface
Power	35W
Light Source	LED Module
Colour Temperature	3000K
Luminaire Output	3500 lm
Beam Angle	Symmetrical medium beam
Control Gear	Built-in driver
Power Supply	220-240VAC,50Hz
Power Factor	>0.95
Insulation Class	I
IP Rating	55
Luminaire Lifetime	50,000 hrs.
Equivalent	MH 70W



Ordering Data

Model	Watt
PTL120-35LED	35W



LED Post Top



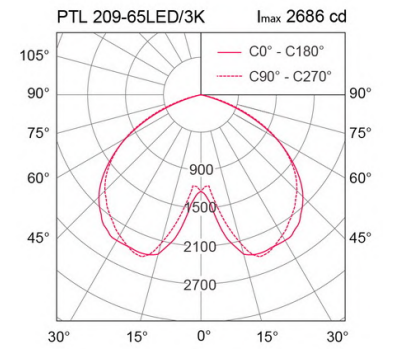
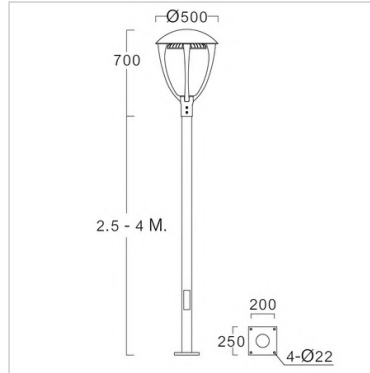
PTL209

Application

Post-top luminaire is designed to use for public or private areas such as hotels, houses, gardens, parks, walkways, etc.

Specification

Housing	Die-cast and die-formed aluminium with zinc coated steel pole
Finishing	Powder coated in black
Lens	Clear toughened glass
Gasket	Silicone rubber
Dimension	Luminaire : Dia.500x700 mm. Pole : Dia.114x2500-4000 mm.
Mounting	Surface
Power	65W
Light Source	LED Module
Colour Temperature	3000/5000K
Luminaire Output	6825 lm
Beam Angle	Symmetrical wide beam
Control Gear	Built-in driver
Power Supply	220-240VAC,50Hz
Power Factor	>0.95
Insulation Class	I
IP Rating	55
Luminaire Lifetime	50,000 hrs.
Equivalent	MH 150W



Ordering Data

Model	Watt
PTL209-65LED	65W

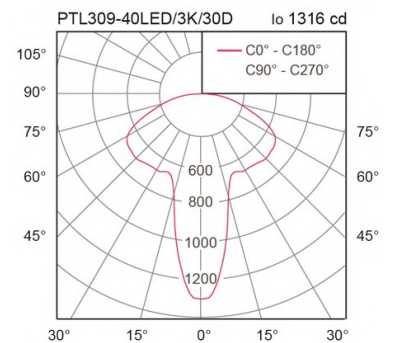
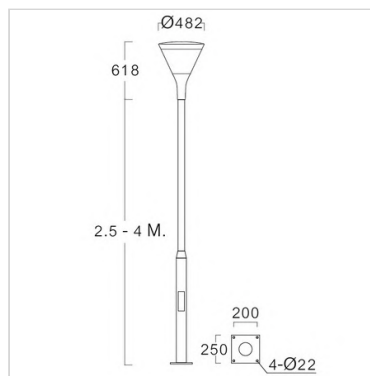
PTL309

Application

Post-top luminaire is designed to use for public or private areas such as hotels, houses, gardens, parks, walkways, etc.

Specification

Housing	Die-cast aluminium with zinc coated steel pole
Finishing	Powder coated in black
Diffuser	Polycarbonate
Gasket	Silicone rubber
Dimension	Luminaire : Dia.482x618 mm. Pole : Dia.114/76 mm., H2500-4000 mm.
Mounting	Surface
Power	40W
Light Source	LED-COB
Colour Temperature	3000K
Luminaire Output	2800 lm
Beam Angle	30 degree
Control Gear	Built-in driver
Power Supply	220-240VAC,50Hz
Power Factor	>0.9
Insulation Class	I
IP Rating	55
Luminaire Lifetime	50,000 hrs.
Equivalent	MH 100W



Ordering Data

Model	Watt
PTL309-40LED	40W

LED Post Top

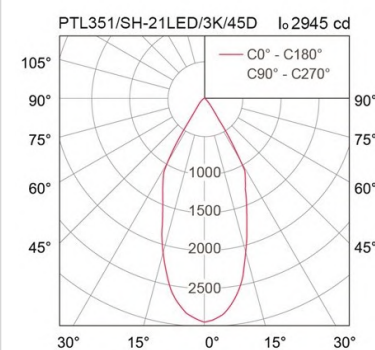
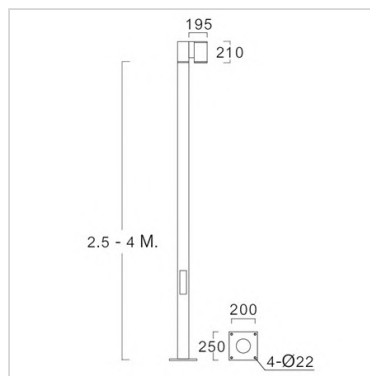
PTL351/SH

Application

Post-top luminaire is designed to use for public or private areas such as hotels, houses, gardens, parks, walkways, etc.

Specification

Housing	Die-cast aluminium with painted steel pole
Finishing	Powder coated in black
Lens	Clear toughened glass
Gasket	Silicone rubber
Dimension	Luminaire : 145x195x210 mm. Pole : Dia.114x2500-4000 mm.
Mounting	Surface
Power	21W
Light Source	LED Module
Colour Temperature	3000K
Luminaire Output	1480 lm
Beam Angle	45 degree
Control Gear	Built-in driver
Power Supply	220-240VAC,50Hz
Power Factor	>0.95
Insulation Class	I
IP Rating	55
Luminaire Lifetime	50,000 hrs.
Equivalent	PAR30 75W



Ordering Data

Model	Watt
PTL351/SH-21LED	21W

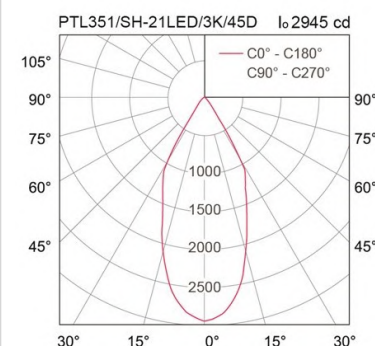
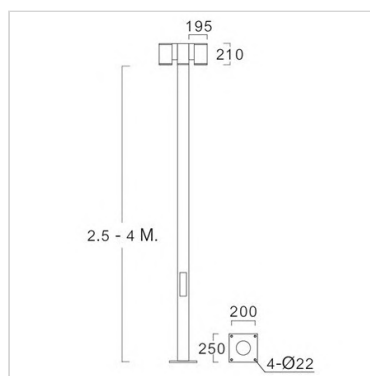
PTL351/DH

Application

Post-top luminaire is designed to use for public or private areas such as hotels, houses, gardens, parks, walkways, etc.

Specification

Housing	Die-cast aluminium with painted steel pole
Finishing	Powder coated in black
Lens	Clear toughened glass
Gasket	Silicone rubber
Dimension	Luminaire : 145x195x210 mm. Pole : Dia.114x2500-4000 mm.
Mounting	Surface
Power	42W : 2x21W
Light Source	LED Module
Colour Temperature	3000K
Luminaire Output	2x1480 lm
Beam Angle	45 degree
Control Gear	Built-in driver
Power Supply	220-240VAC,50Hz
Power Factor	>0.95
Insulation Class	I
IP Rating	55
Luminaire Lifetime	50,000 hrs.
Equivalent	PAR30 2x75W



Ordering Data

Model	Watt
PTL351/DH-42LED	42W

LED Post Top



TIS PTL461

Application

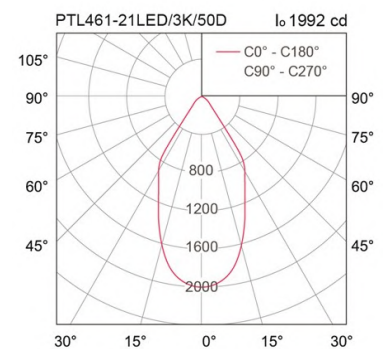
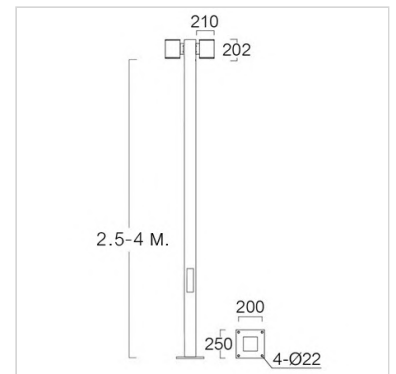
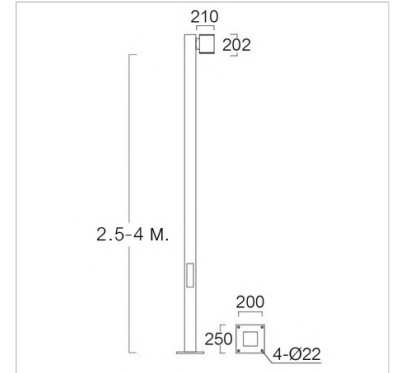
Post-top luminaire is designed to use for public or private areas such as hotels, houses, gardens, parks, walkways, etc.

Specification

Housing	Die-cast aluminium with painted steel pole
Finishing	Powder coated in black
Lens	Clear toughened glass
Gasket	Silicone rubber
Dimension	Luminaire : 150x210x202 mm. Pole : 100x100x2500-4000 mm.
Mounting	Surface
Power	21W
Light Source	LED Module
Colour Temperature	3000K
Luminaire Output	1640 lm
Beam Angle	60 degree
Control Gear	Built-in driver
Power Supply	220-240VAC,50Hz
IP Rating	65
Luminaire Lifetime	50,000 hrs.
Equivalent	PAR30 75W

Ordering Data

Model	Watt
PTL461-21LED	21W



LED Post Top



PTL720

Application

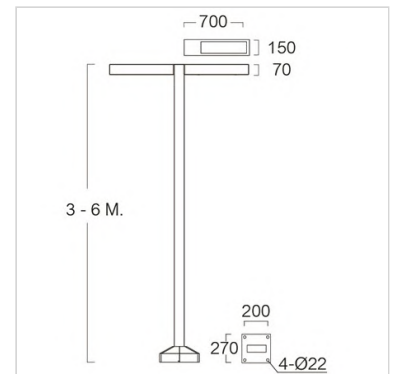
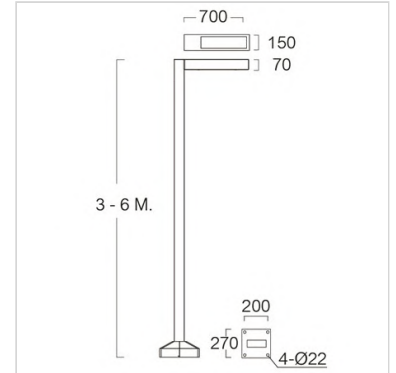
Post-top luminaire is designed to use for public or private areas such as hotels, houses, gardens, parks, walkways, etc.

Specification

Housing	Die-cast aluminium
Finishing	Powder coated in black
Lens	Acrylic (PMMA)
Gasket	Silicone rubber
Dimension	Luminaire : 150x700x70 mm. Pole : 150x90x3000-6000 mm.
Mounting	Surface
Power	35/70/105W
Light Source	LED Module
Colour Temperature	3000/4000K
Luminaire Output	35W : 4900 lm 70W : 9800 lm 105W : 13650 lm
Beam Angle	Street lighting distribution : SL9 Forward throw distribution : FW5
Control Gear	Built-in driver
Dimming Method	1-10V (optional)
Power Supply	220-240VAC, 50Hz
Power Factor	>0.95
Insulation Class	I
IP Rating	66
Luminaire Lifetime Equivalent	50,000 hrs. 35W : MH 70W 70W : MH 150W 105W : MH 250W

Ordering Data

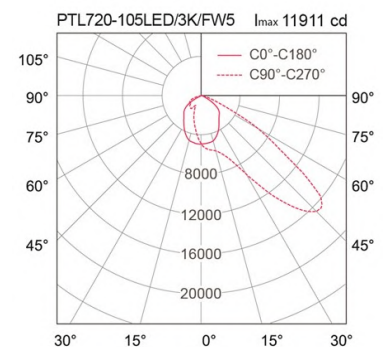
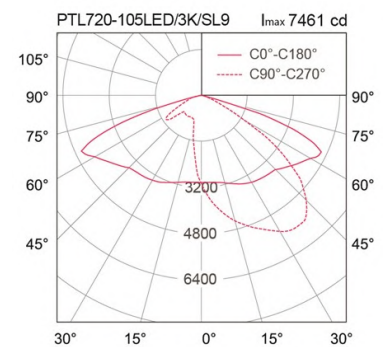
Model	Watt
PTL720-35LED	35W
PTL720-70LED	70W
PTL720-105LED	105W



Related Products



Base cover



LED Post Top



PTL720/RP

Application

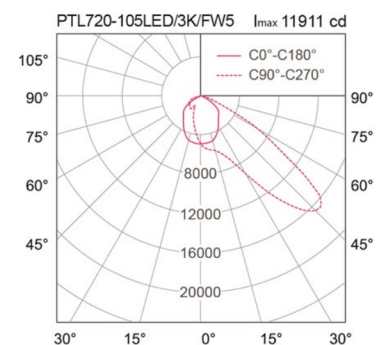
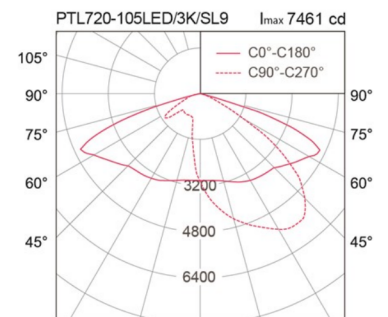
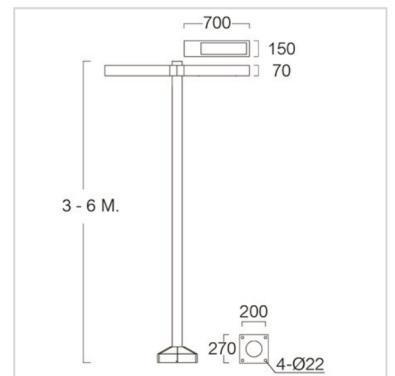
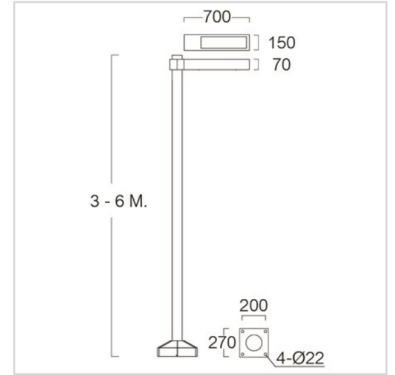
Post-top luminaire is designed to use for public or private areas such as hotels, houses, gardens, parks, walkways, etc.

Specification

Housing	Die-cast aluminium with zinc coated steel pole
Finishing	Powder coated in black
Lens	Acrylic (PMMA)
Gasket	Silicone rubber
Dimension	Luminaire : 150x700x70 mm. Pole : Dia.114 mm., H3000-6000 mm.
Mounting	Surface
Power	Single head (/SH) ; 35/70/105W Double head (/DH) ; 70W (2x35W) Double head (/DH) ; 140W (2x70W) Double head (/DH) ; 210W (2x105W)
Light Source	LED Module
Colour Temperature	3000/4000K
Luminaire Output	Single head (/SH) ; 35W : 4900 lm Single head (/SH) ; 70W : 9800 lm Single head (/SH) ; 105W : 13650 lm Double head (/DH) ; 70W : 2x4900 lm Double head (/DH) ; 140W : 2x9800 lm Double head (/DH) ; 210W : 2x13650 lm
Beam Angle	Street lighting distribution : SL9 Forward throw distribution : FW5
Control Gear	Built-in driver
Dimming Method	1-10V (optional)
Power Supply	220-240VAC, 50Hz
Power Factor	>0.95
Insulation Class	I
IP Rating	66
Luminaire Lifetime	50,000 hrs.
Equivalent	35W : MH 70W 70W : MH 150W 105W : MH 250W

Ordering Data

Model	Watt
PTL720/RP/SH-35LED	35W
PTL720/RP/DH-70LED	70W
PTL720/RP/SH-70LED	70W
PTL720/RP/SH-105LED	105W
PTL720/RP/DH-140LED	140W
PTL720/RP/DH-210LED	210W



LED Post Top



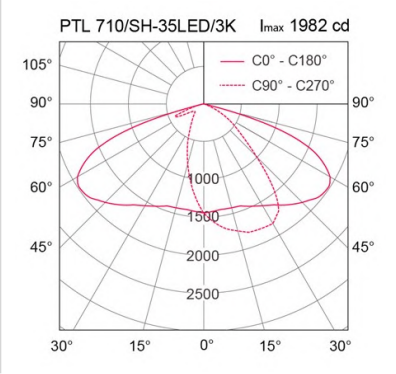
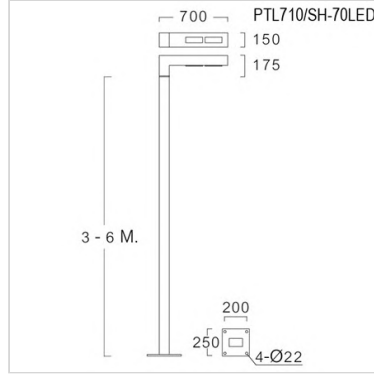
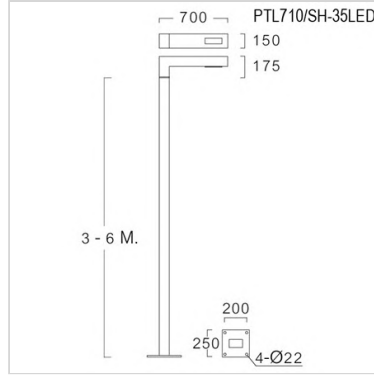
PTL710/SH

Application

Post-top luminaire is designed to use for public or private areas such as hotels, houses, gardens, parks, walkways, etc.

Specification

Housing	Die-formed steel
Finishing	Powder coated in black
Lens	Polycarbonate
Gasket	Silicone rubber
Dimension	Luminaire : 150x700x175 mm. Pole : 150x75x3000-6000 mm.
Mounting	Surface
Power	35/70W
Light Source	LED Module
Colour Temperature	3000/4000K
Luminaire Output	35W : 4725 lm 70W : 9450 lm
Beam Angle	Street lighting distribution Forward throw distribution
Control Gear	Built-in driver
Power Supply	220VAC 50Hz
Power Factor	>0.95
Insulation Class	I
IP Rating	55
Luminaire Lifetime	50,000 hrs.
Equivalent	35W : MH 70W 70W : MH 150W



Ordering Data

Model	Watt
PTL710/SH-35LED	35W
PTL710/SH-70LED	70W

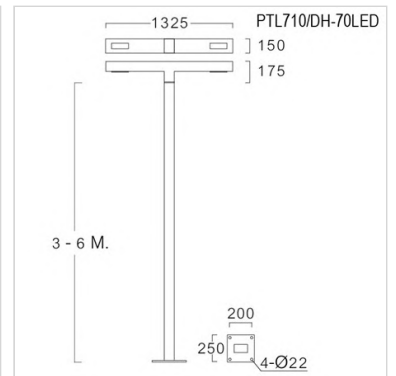
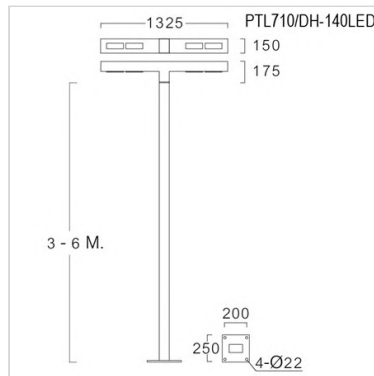
PTL710/DH

Application

Post-top luminaire is designed to use for public or private areas such as hotels, houses, gardens, parks, walkways, etc.

Specification

Housing	Die-formed steel
Finishing	Powder coated in black
Lens	Polycarbonate
Gasket	Silicone rubber
Dimension	Luminaire : 150x1325x175 mm. Pole : 150x75x3000-6000 mm.
Mounting	Surface
Power	70W : 2x35W 140W : 2x70W
Light Source	LED Module
Colour Temperature	3000/4000K
Luminaire Output	70W : 2x4725 lm 140W : 2x9450 lm
Beam Angle	Street lighting distribution Forward throw distribution
Control Gear	Built-in driver
Power Supply	220VAC 50Hz
Power Factor	>0.95
Insulation Class	I
IP Rating	55
Luminaire Lifetime	50,000 hrs.
Equivalent	70W : MH 2x70W 140W : MH 2x150W



Ordering Data

Model	Watt
PTL710/DH-70LED	70W
PTL710/DH-140LED	140W

LED Post Top



TIS PTL231

Application

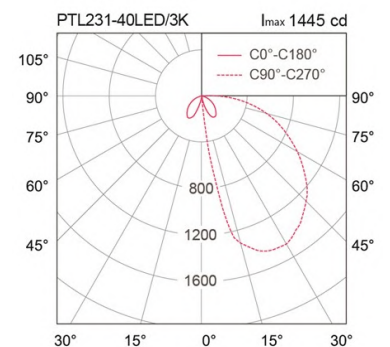
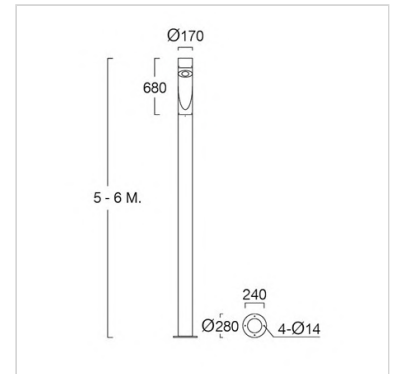
Post-top luminaire is designed to use for public or private areas such as hotels, houses, gardens, parks, walkways, etc.

Specification

Housing	Die-cast and extruded aluminium
Finishing	Powder coated in black
Diffuser	Opalescent acrylic
Gasket	Silicone rubber
Dimension	Dia.170x5000-6000 mm.
Mounting	Surface
Power	40W
Light Source	LED Module
Colour Temperature	3000K
Luminaire Output	1960 lm
Beam Angle	Asymmetrical beam
Control Gear	Built-in driver
Power Supply	220-240VAC,50Hz
Power Factor	>0.95
Insulation Class	I
IP Rating	66
Luminaire Lifetime	50,000 hrs.

Ordering Data

Model	Watt
PTL231-40LED	40W



LED Post Top



TIS PTL232

Application

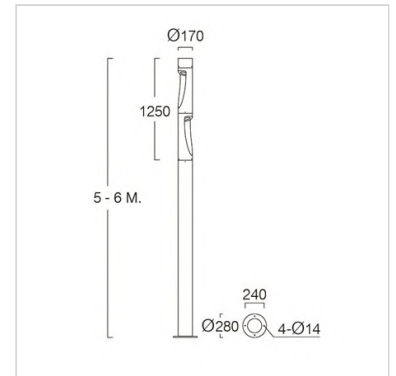
Post-top luminaire is designed to use for public or private areas such as hotels, houses, gardens, parks, walkways, etc.

Specification

Housing	Die-cast and extruded aluminium
Finishing	Powder coated in black
Diffuser	Opalescent acrylic
Gasket	Silicone rubber
Dimension	Dia.170x5000-6000 mm.
Mounting	Surface
Power	2x40W
Light Source	LED Module
Colour Temperature	3000K
Luminaire Output	2x1960 lm
Beam Angle	Asymmetrical beam
Control Gear	Built-in driver
Power Supply	220-240VAC,50Hz
Power Factor	>0.95
Insulation Class	I
IP Rating	66
Luminaire Lifetime	50,000 hrs.

Ordering Data

Model	Watt
PTL232-80LED	80W



TIS PTL233

Application

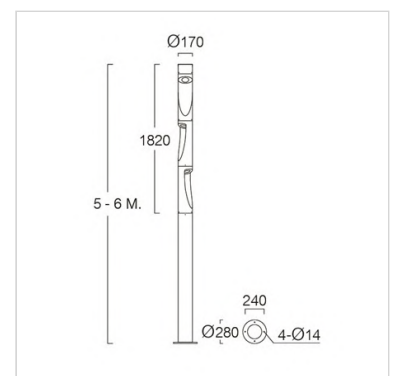
Post-top luminaire is designed to use for public or private areas such as hotels, houses, gardens, parks, walkways, etc.

Specification

Housing	Die-cast and extruded aluminium
Finishing	Powder coated in black
Diffuser	Opalescent acrylic
Gasket	Silicone rubber
Dimension	Dia.170x5000-6000 mm.
Mounting	Surface
Power	3x40W
Light Source	LED Module
Colour Temperature	3000K
Luminaire Output	3x1960 lm
Beam Angle	Asymmetrical beam
Control Gear	Built-in driver
Power Supply	220-240VAC,50Hz
Power Factor	>0.95
Insulation Class	I
IP Rating	66
Luminaire Lifetime	50,000 hrs.

Ordering Data

Model	Watt
PTL233-120LED	120W



LED Post Top

PTL650

Application

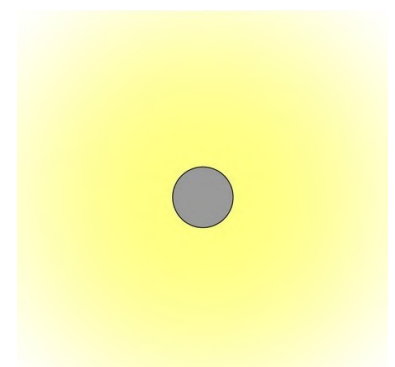
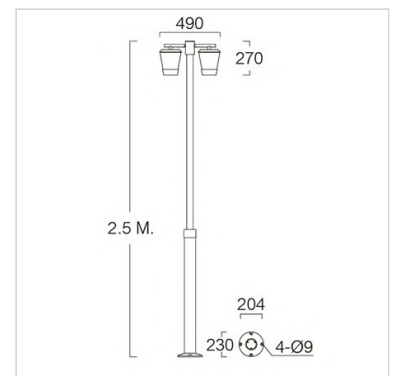
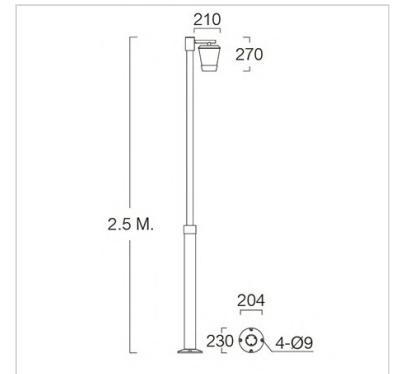
Post-top luminaire is designed to use for public or private areas such as hotels, houses, gardens, parks, walkways, etc.

Specification

Housing	Die-cast aluminium
Finishing	Powder coated in black
Diffuser	Polycarbonate
Gasket	Silicone rubber
Dimension	Luminaire : Dia.175x205 mm. Pole : Dia.90/50 mm., H2500 mm.
Mounting	Surface
Power	7W
Light Source	LED-BULB
Colour Temperature	3000K
Lamp Output	630 lm
Beam Angle	Symmetrical wide beam
Power Supply	220-240VAC,50Hz
Insulation Class	I
IP Rating	55
Lamp Lifetime	25,000 hrs.
Equivalent	CFL 18W

Ordering Data

Model	Watt
PTL650/SH-E27	7W
PTL650/DH-E27	14W



LED Post Top



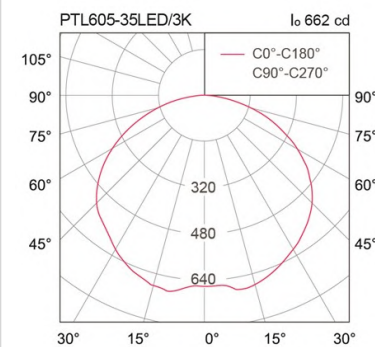
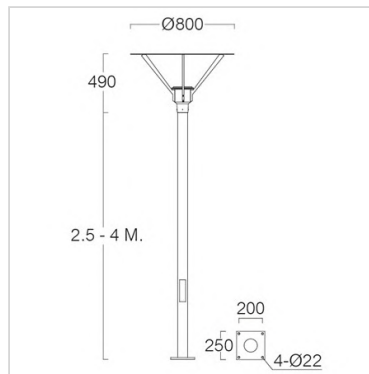
PTL605

Application

Post-top luminaire is designed to use for public or private areas such as hotels, houses, gardens, parks, walkways, etc.

Specification

Housing	Die-cast and die-formed aluminium with zinc coated steel pole
Finishing	Powder coated in black
Lens	Clear toughened glass
Gasket	Silicone rubber
Dimension	Luminaire : Dia.800x490 mm. Pole : Dia.114x2500-4000 mm.
Mounting	Surface
Power	35W
Light Source	LED-COB
Colour Temperature	3000K
Luminaire Output	2450 lm
Beam Angle	Symmetrical beam
Control Gear	Built-in driver
Power Supply	220-240VAC,50Hz
Power Factor	>0.95
Insulation Class	I
IP Rating	66
Luminaire Lifetime	50,000 hrs.
Equivalent	MH 70W



Ordering Data

Model	Watt
PTL605-35LED	35W

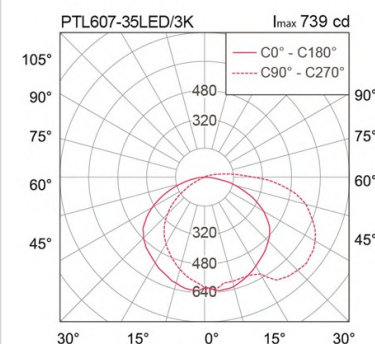
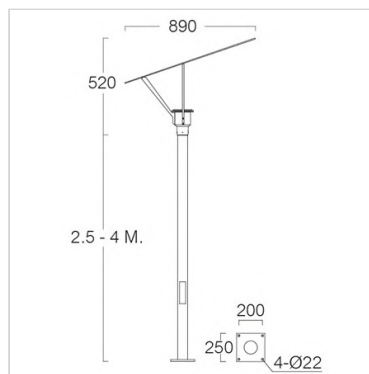
PTL607

Application

Post-top luminaire is designed to use for public or private areas such as hotels, houses, gardens, parks, walkways, etc.

Specification

Housing	Die-cast and die-formed aluminium with zinc coated steel pole
Finishing	Powder coated in black
Lens	Clear toughened glass
Gasket	Silicone rubber
Dimension	Luminaire : Dia.890x520 mm. Pole : Dia.114x2500-4000 mm.
Mounting	Surface
Power	35W
Light Source	LED-COB
Colour Temperature	3000K
Luminaire Output	2450 lm
Beam Angle	Asymmetrical beam
Control Gear	Built-in driver
Power Supply	220-240VAC,50Hz
Power Factor	>0.95
Insulation Class	I
IP Rating	66
Luminaire Lifetime	50,000 hrs.
Equivalent	MH 70W



Ordering Data

Model	Watt
PTL607-35LED	35W



ing
enter
inter

L&E LIGHTING & EQUIPMENT
PUBLIC COMPANY LIMITED

Head office : 16-17 Floor, Gypsum Metropolitan Tower, 539/2 Sri-Ayudhaya Rd. Rajthevee, Bangkok 10400, Thailand.
Tel : (66) 0-2248-8133, (66) 0-2642-5092
Fax : (66) 0-2248-8144, (66) 0-2642-5091



Vibhavadi Rangsit rd.

Rama 9 rd.

Fortune

Pakin Building
L&E lighting solution center

Robinson

Big C

Ratchadapisek rd.

Thailand Cultural Centre

Huai Khwang

Sutthisan rd.

Sutthisan

Ladprao rd.

Ladprao

Ratchadapisek

L&E lighting solution center

Showroom : 9, Pakin Building, Ratchadapisek Rd., Dindaeng, Bangkok, 10400
Tel. 662-246-1164-66 Fax. 662-246-1161
E-mail : lscshop@lighting.co.th
lightingthailand

Lotus bangyai

Kanchanaphisek Frontage Road

Nakhon In Frontage Road

Ratchapruek Road

Circle Rama V

Nakhon In Frontage Road

Rama V Bridge

Lotus Nakhon In

Bang Kruai-Sai Noi

Chao Phraya River

Rama VII Bridge

Sirinthorn Road

Charan Sanitwong Road

Krungtonburi Bridge

Borommaratchachonnani Frontage Road

Tang Hua Seng Major Pinklao

Central Pinklao

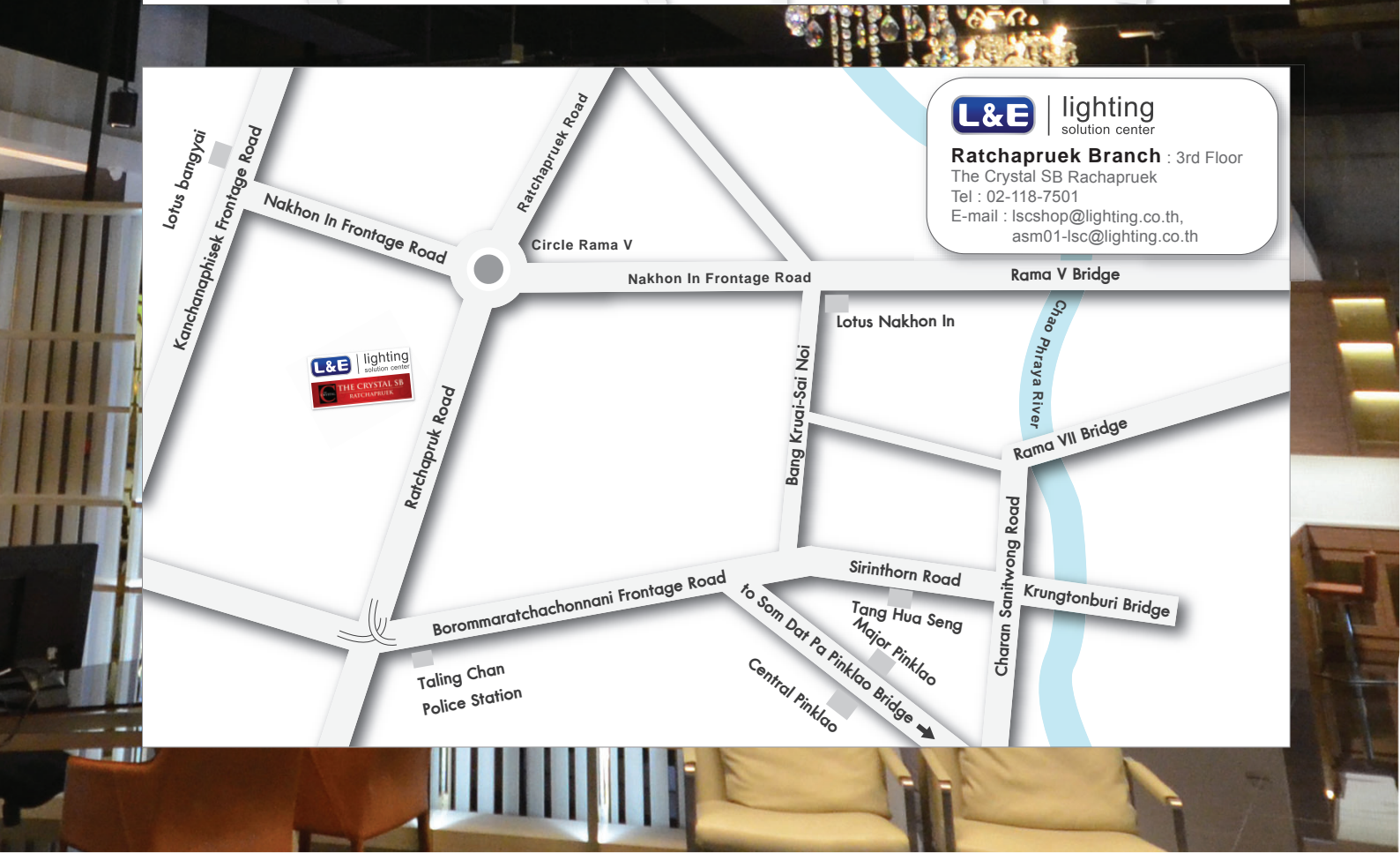
to Sam Dat Pa Pinklao Bridge

Taling Chan Police Station

L&E lighting solution center
THE CRYSTAL SB RATCHAPRUEK

L&E lighting solution center

Ratchapruek Branch : 3rd Floor
The Crystal SB Ratchapruek
Tel : 02-118-7501
E-mail : lscshop@lighting.co.th, asm01-lsc@lighting.co.th





more than light

Thailand offices

Lighting and Equipment Public Company Limited

Head Office

16-17 Floor, Gypsum Metropolitan Tower.
539/2 Sri-Ayudhya Rd., Rajthevee,
Bangkok 10400
E-mail : secretarymk@lighting.co.th

Tel. : +66 2248 8133
+66 2642 5092
Fax. : +66 2248 8144
+66 2642 5091

Showroom/Lighting Solution Center

Ratchadapisek Branch
9, Pakin Building Ratchadapisek Road Dindaeng,
Bangkok, 10400
E-mail : rd@lighting.co.th

Tel. : +66 2246 1164 66
Fax. : +66 2246 1161

Showroom/Lighting Solution Center

Ratchapruek Branch
3rd Floor The Crystal SB Ratchapruek
E-mail : rd@lighting.co.th

Tel. : +66 2118 7501-04

Oversea offices

L&E Myanmar Company Limited

No.19-L Myint Zu 2 street, Yamkin Township, Between
Kabaraye Pagoda Road and Wayzayantar Road,
Yangon, Myanmar.
Email : le_myanmar@lighting.co.th

Tel. : +95 94 5001 0468

Lighting & Equipment (VIETNAM) Company Limited

Lot 101/3 Road No. 1. Long Binh (AMATA)
Industrial Park, Long Binh Ward, Bien Hoa City,
Dong Nai Province, Vietnam.
Email : eklukb@lighting.co.th
weerada.wo@lighting.co.th
chinh@lighting.co.th

Tel. : +84 251 368 5688
Fax. : +84 251 368 5699

Representative Office of Indonesia

The Vida Building 7th Floor, Jl. Raya Perjuangan No.8
Kebon Jeruk - Jakarta Barat, Jakarta 11530
Indonesia.
Email : jemmy@lighting.co.th

Tel. : +62 212 977 8000
Fax. : +62 212 977 8001
M. : +62 812 878 1918
+62 818 083 3247

Representative of Malaysia

Contact : Mr. Alex Goh
Email : alex.goh@lighting.co.th

M. : +60 1 2286 1288

Corporate Showroom in Cambodia

Home Access Co., Ltd.
THAN'S Building, No. 46
Mao Tse Toung Blvd (245) corner 95 road,
Phnom Penh 120111, Cambodia

Tel : +855 23 216 195

Email : sale@myhomeaccess.com